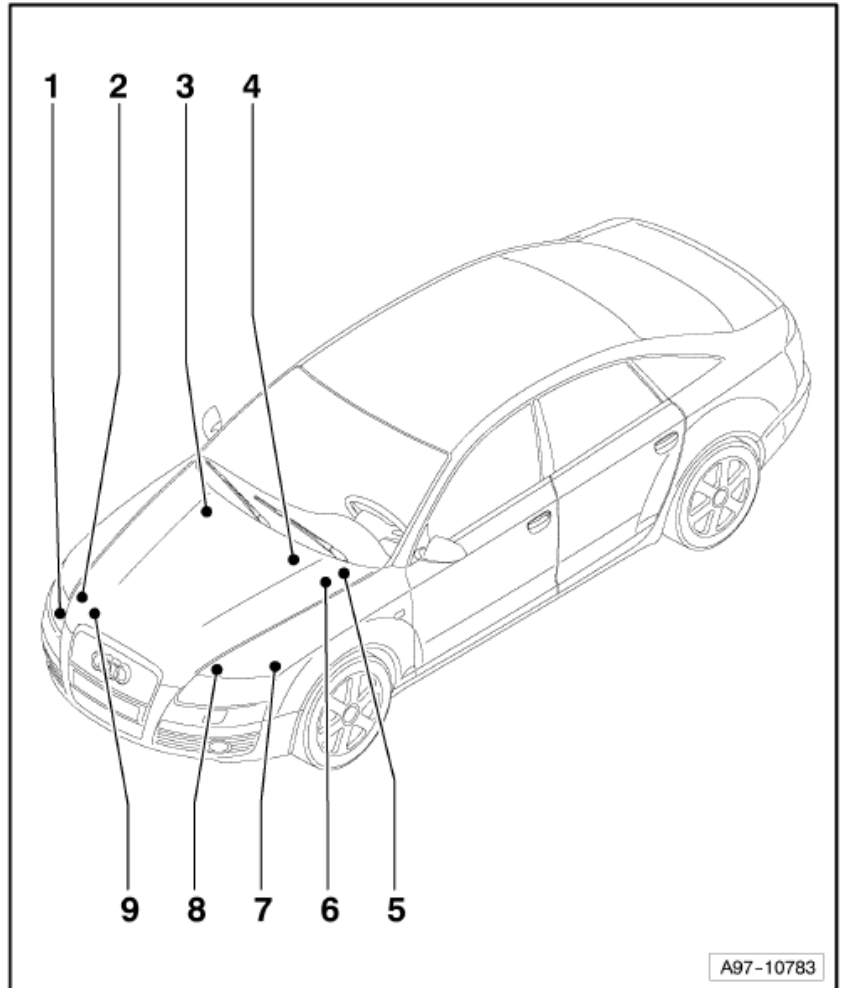


Earth points

Overview of earth points in front part of vehicle

- 1 - Earth point, on right in engine compartment -13-
 ↳ Location → [page 801/4](#)
- 2 - Earth point 2, on right in engine compartment -614-
 ↳ Location → [page 801/6](#)
- 3 - Earth point 2, on bulkhead -646-
 ↳ Location → [page 801/7](#)
- 4 - Earth point 1, on bulkhead -645-
 ↳ Location → [page 801/6](#)
- 5 - Earth point, on left in plenum chamber -607-
 ↳ Location → [page 801/5](#)
- 6 - Earth point 3, on bulkhead -647-
 ↳ Location → [page 801/7](#)
- 7 - Earth point 1, on front of left longitudinal member -671-
 ↳ Location → [page 801/8](#)
- 8 - Earth point, on left in engine compartment -12-
 ↳ Location → [page 801/4](#)
- 9 - Earth point, on engine block -18-
 ↳ Location → [page 801/5](#)



Overview of earth points in interior of vehicle

1 - Earth point, right A-pillar -43-

☞ Location → [page 801/9](#)

2 - Earth point, on right behind dash panel -33-

☞ Location → [page 801/10](#)

3 - Earth point 2, on lower part of right A-pillar -617-

☞ Location → [page 801/9](#)

4 - Earth point, of right B-pillar -78-

☞ Location → [page 801/10](#)

5 - Earth point, rear centre roof frame -690-

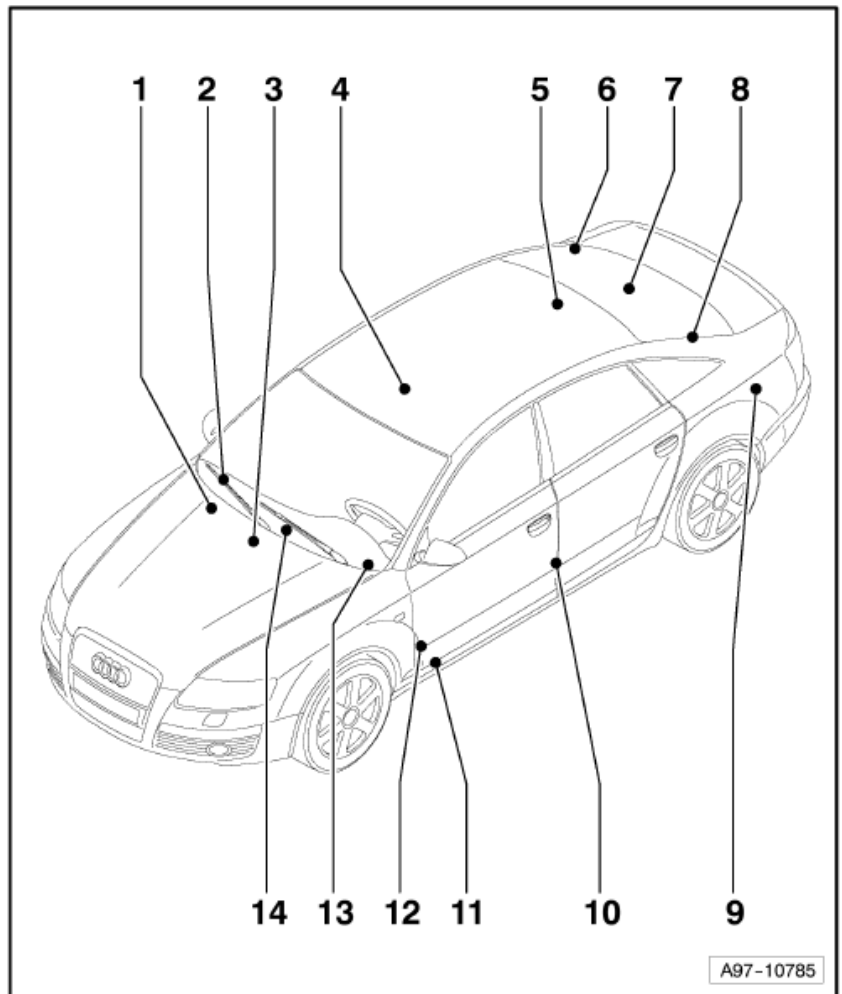
☞ Location → [page 801/11](#)

6 - Earth point 1, on right near rear window -659-

☞ Location → [page 801/11](#)

7 - Earth point, on right in luggage compartment -51-

☞ Location → [page 801/12](#)



8 - Earth point 1, on left near rear window -657-

☞ Location → [page 801/12](#)

9 - Earth point, on left in luggage compartment -50-

☞ Location → [page 801/13](#)

10 - Earth point left B-pillar -77-

☞ Location → [page 801/13](#)

11 - Earth point 2, left A-pillar -670-

☞ Location → [page 801/14](#)

12 - Earth point, left A-pillar -44-

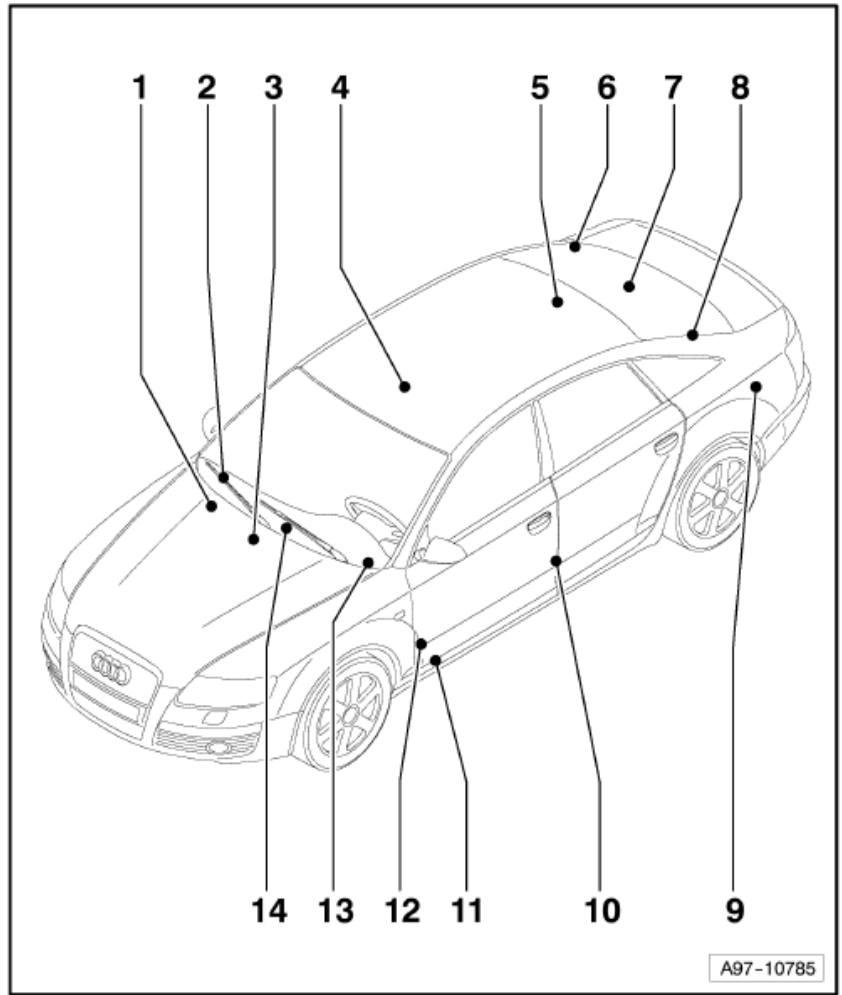
☞ Location → [page 801/14](#)

13 - Earth point, on left behind dash panel -32-

☞ Location → [page 801/15](#)

14 - Earth point, centre behind dash panel -45-

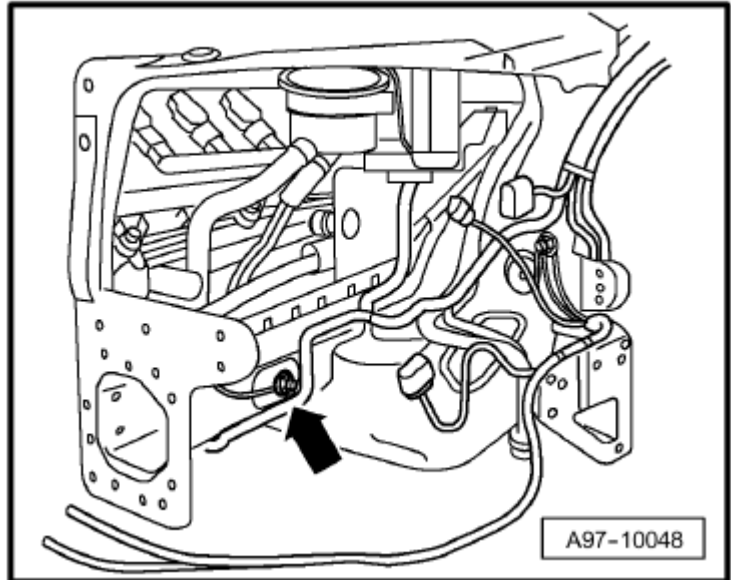
☞ Location → [page 801/15](#)



Earth point, in engine compartment

- 12 Earth point, in engine compartment, left - arrow-

on front of left longitudinal member before front axle

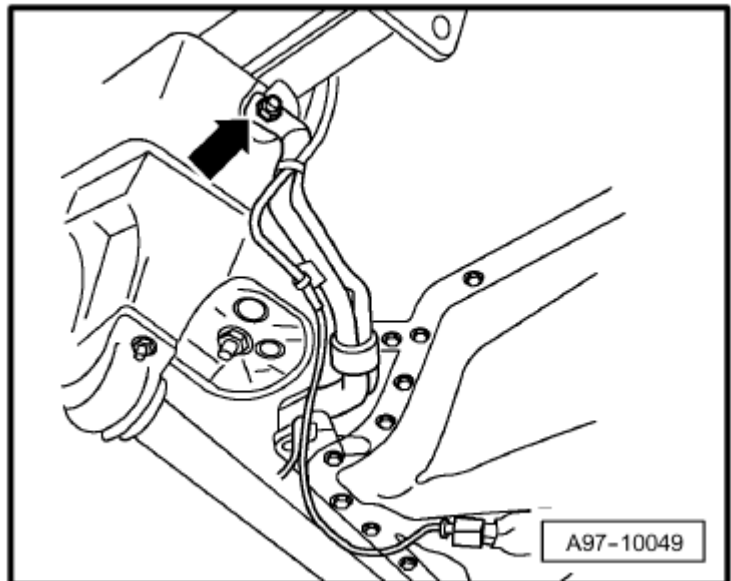


Torque: 9 Nm

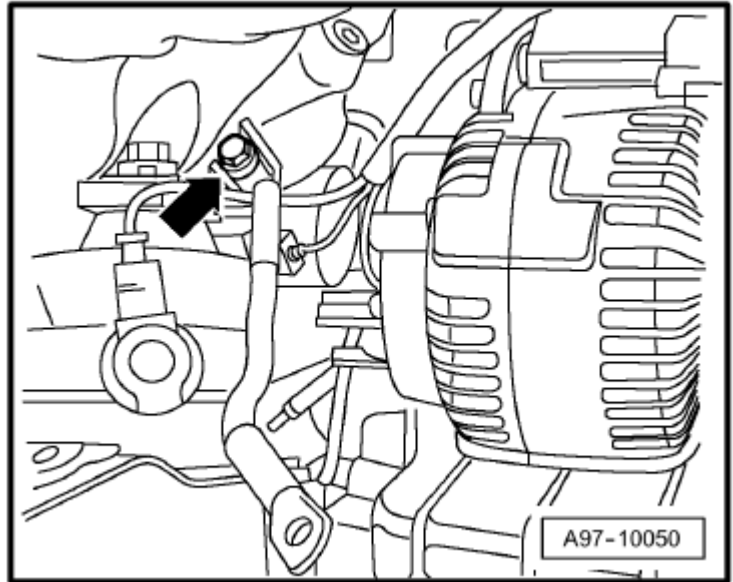
- 13 Earth point, in engine compartment, right - arrow-

on front of right longitudinal member before front axle

Torque: 10 Nm



18 Earth point on engine block -arrow-
on engine block on front right, near alternator

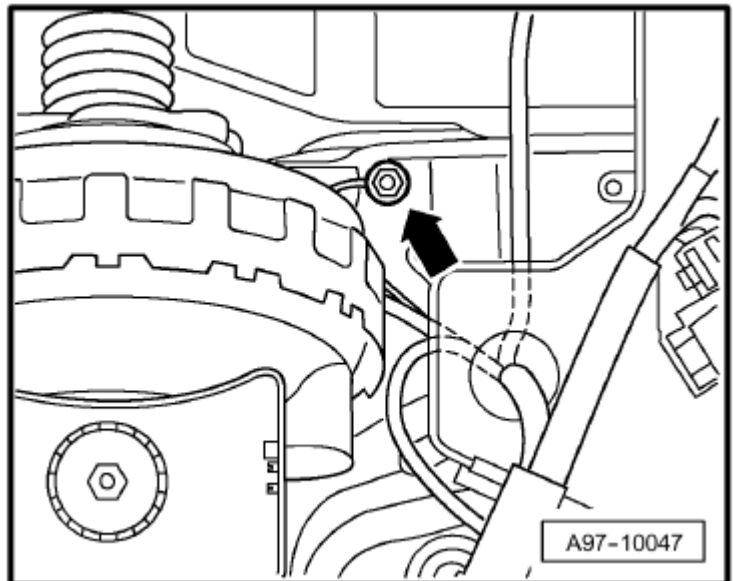


Torque: 10 Nm
607 Earth point, on left in plenum chamber -
arrow-

on left in plenum chamber, next to brake servo,
left-hand drive

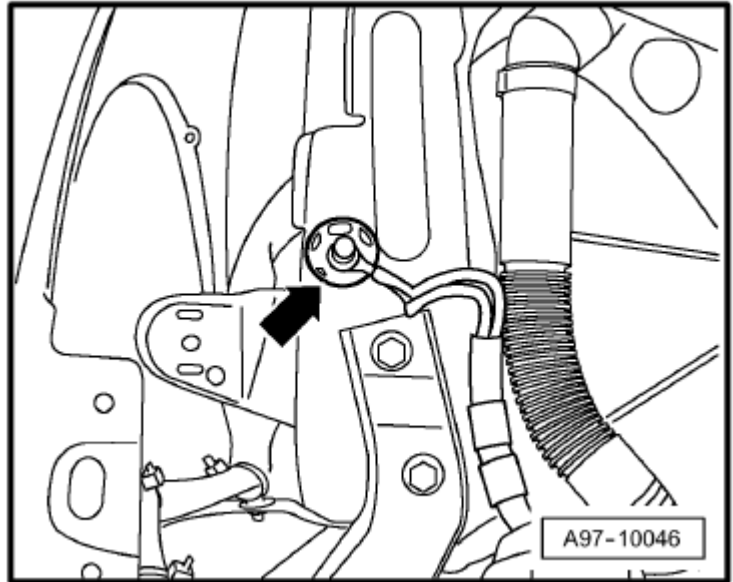
on right in plenum chamber, next to brake servo,
right-hand drive

Torque: 9 Nm



614 Earth point 2, on right in engine compartment -arrow-

on front of right longitudinal member

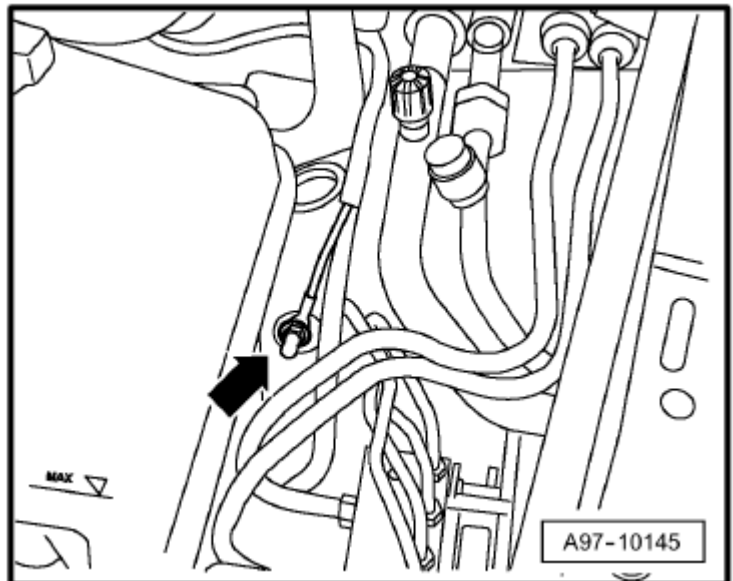


Torque: 9 Nm

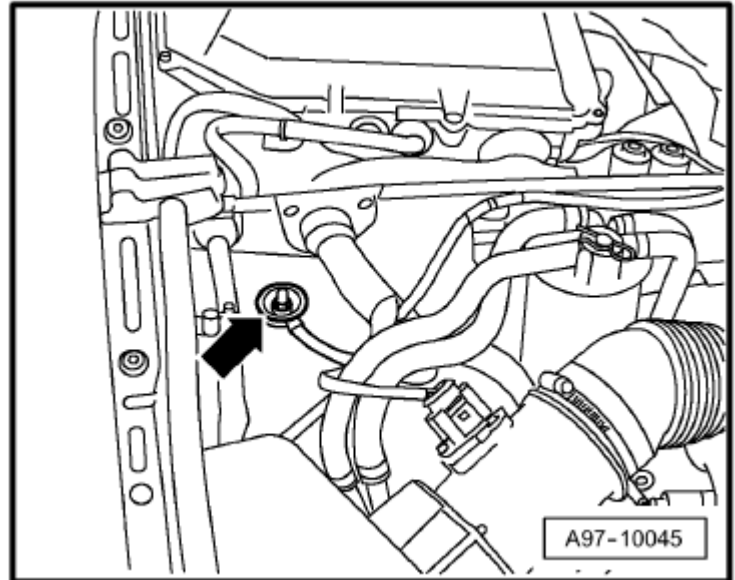
645 Earth point 1, on bulkhead -arrow-

on left in bulkhead

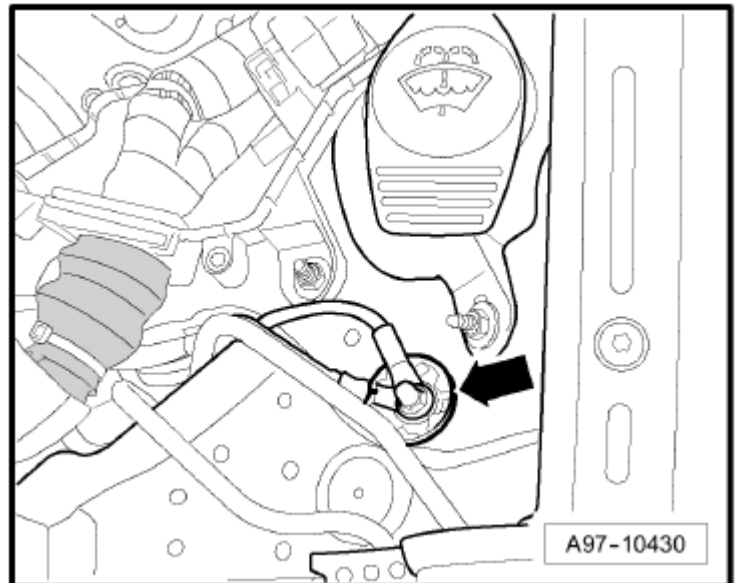
Torque: 9 Nm



646 Earth point 2, on bulkhead -arrow-
on right in bulkhead



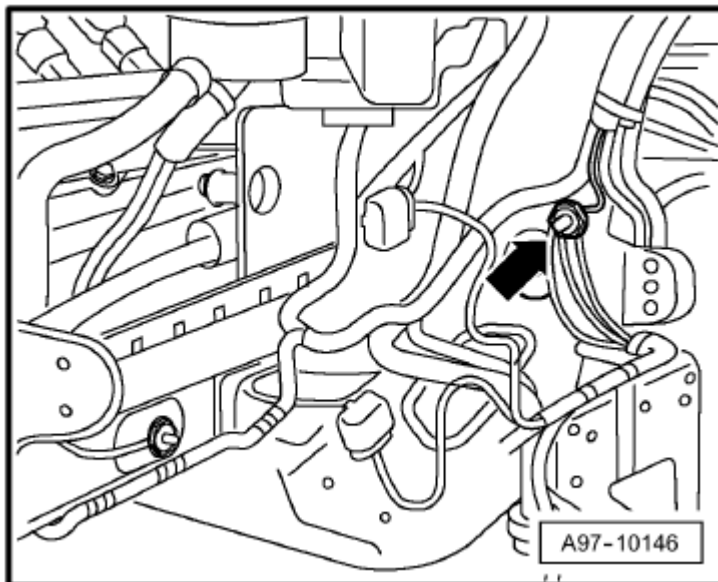
Torque: 9 Nm
647 Earth point 3, on bulkhead -arrow-
on left in bulkhead
Torque: 9 Nm



671 Earth point 1, on front of left longitudinal member -arrow-

on front of left longitudinal member, near wheel housing

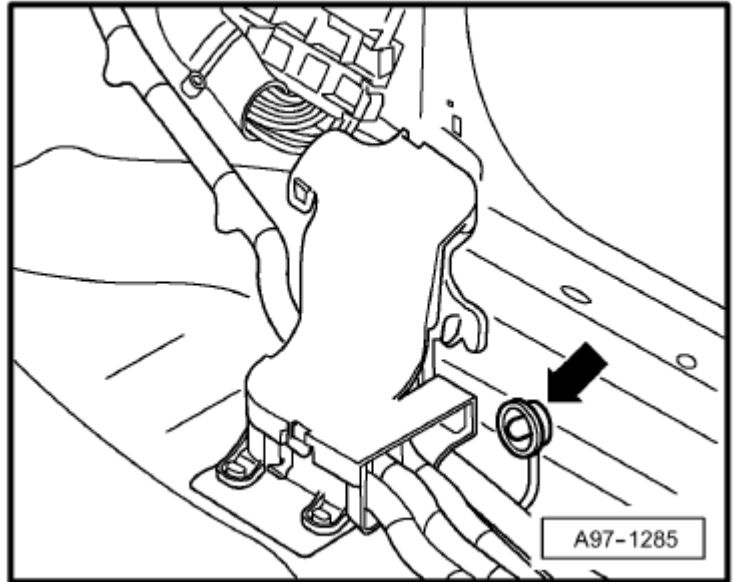
Torque: 9 Nm



Earth points, in interior

617 Earth point, lower part of right A-pillar - arrow-

lower part of right A-pillar

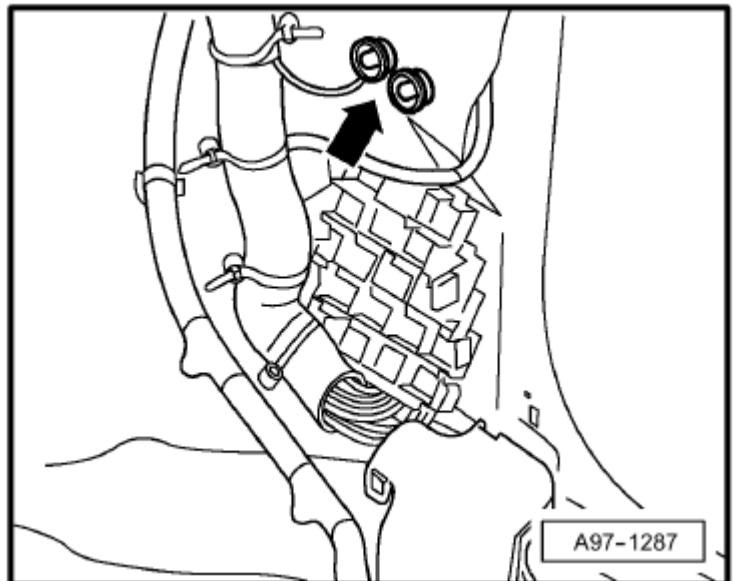


Torque: 9 Nm

43 Earth point, right A-pillar -arrow-

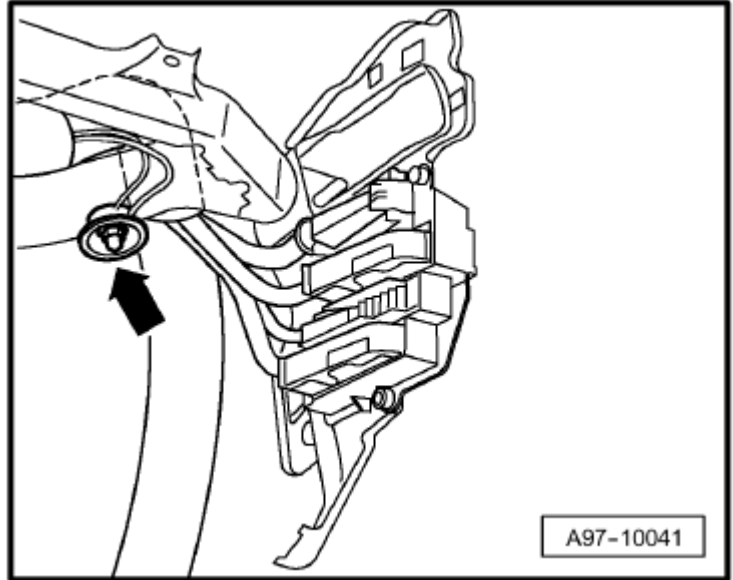
on right A-pillar above coupling station

Torque: 9 Nm



33 Earth point behind dash panel on right - arrow-

behind the dash panel, upper right

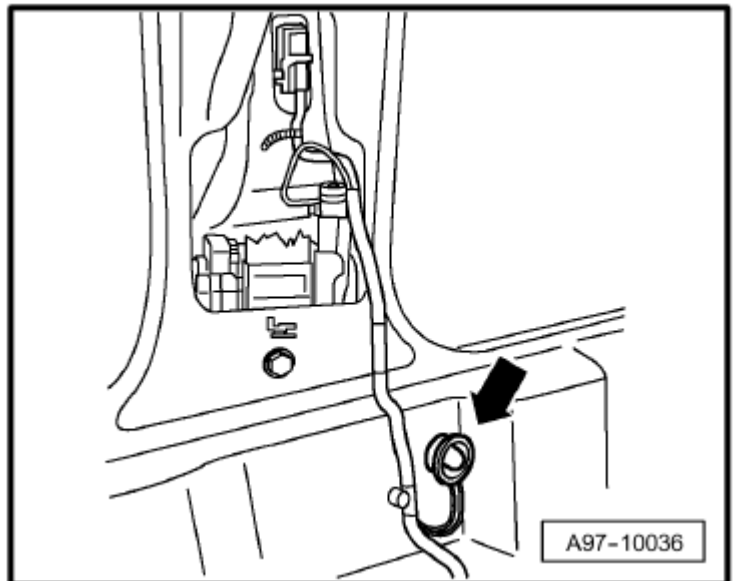


Torque: 9 Nm

78 Earth point, of right B-pillar -arrow-

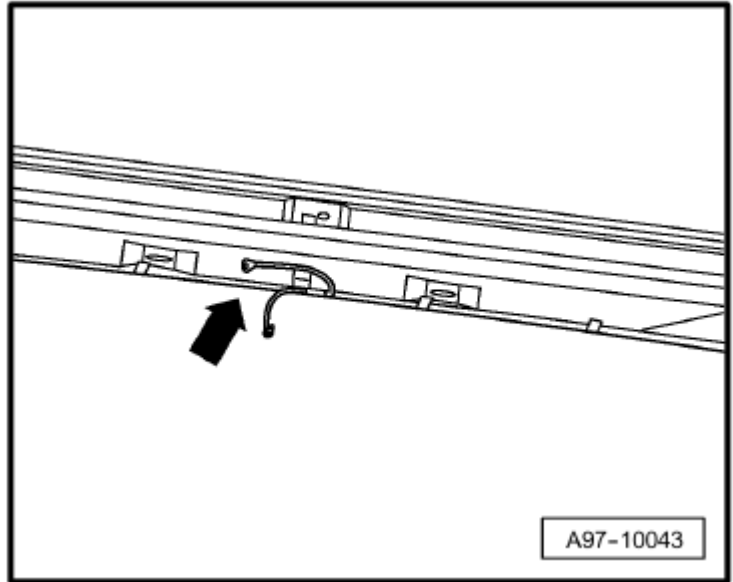
lower part of right B-pillar

Torque: 9 Nm



690 Earth point, rear centre roof frame -arrow-

on centre rear roof, near rear window

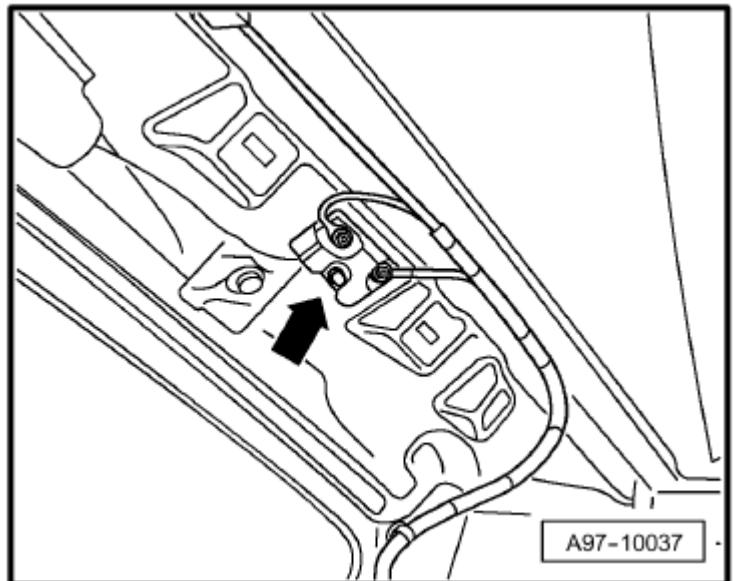


Torque: 9 Nm

659 Earth point 1, on right near rear window (saloon models only) -arrow-

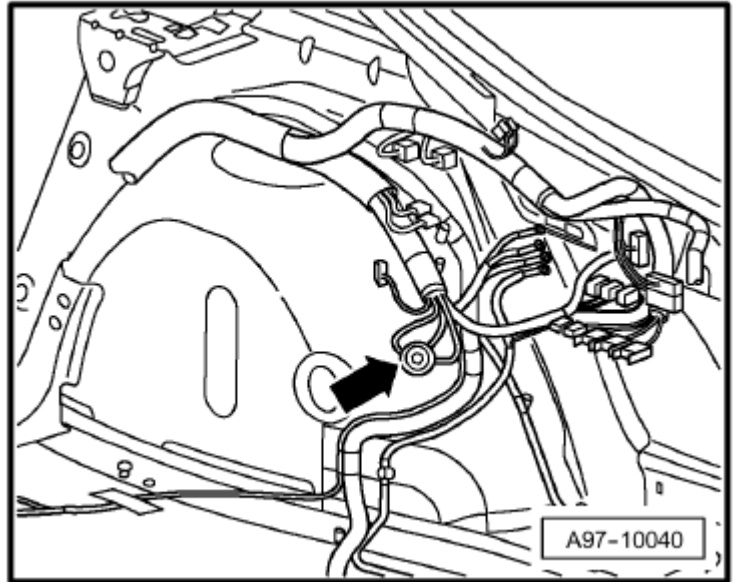
on right rear window on suppression filter

Torque: 9 Nm



- 51 Earth point, on right in luggage compartment -arrow-

in luggage compartment, rear right, on wheel housing

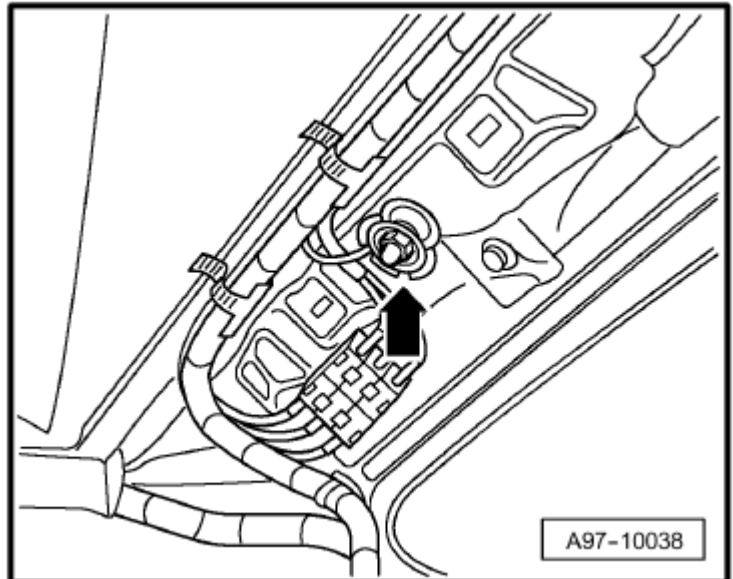


Torque: 9 Nm

- 657 Earth point 1, on left near rear window -arrow-

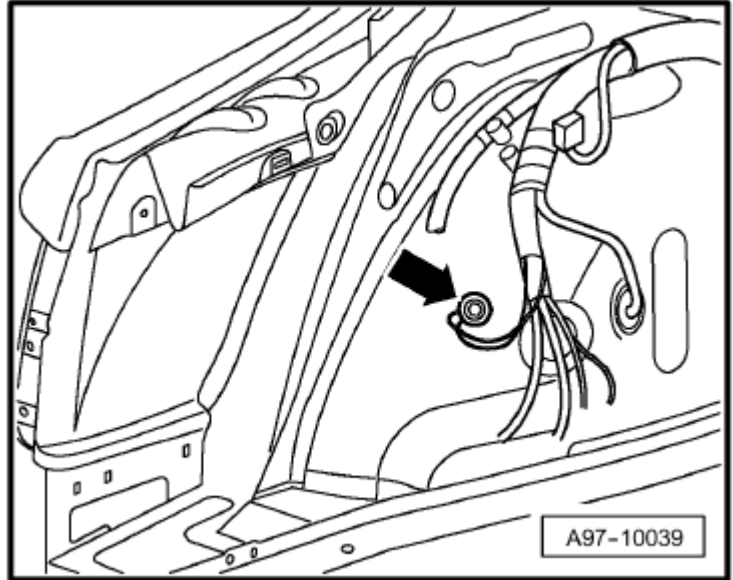
on rear window right, near coupling roof aerials

Torque: 9 Nm



50 Earth point, on left in luggage compartment (saloon models only) - arrow-

in luggage compartment, rear left, on wheel housing

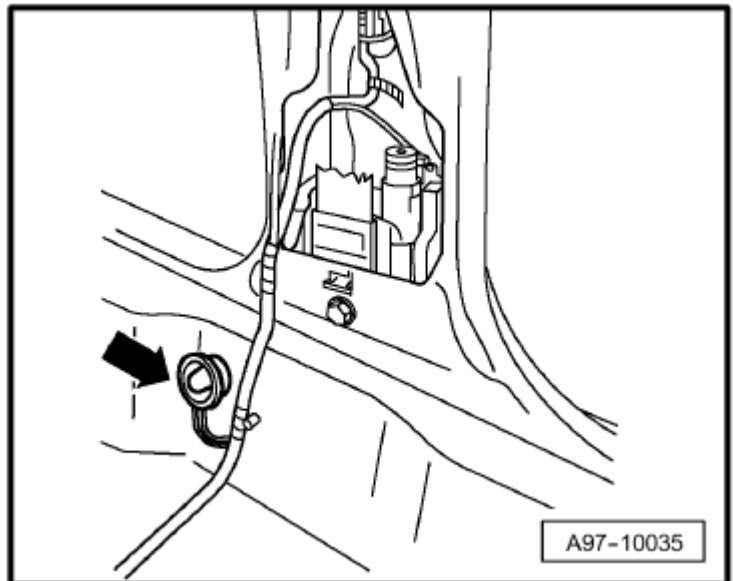


Torque: 9 Nm

77 Earth point, of left B-pillar -arrow-

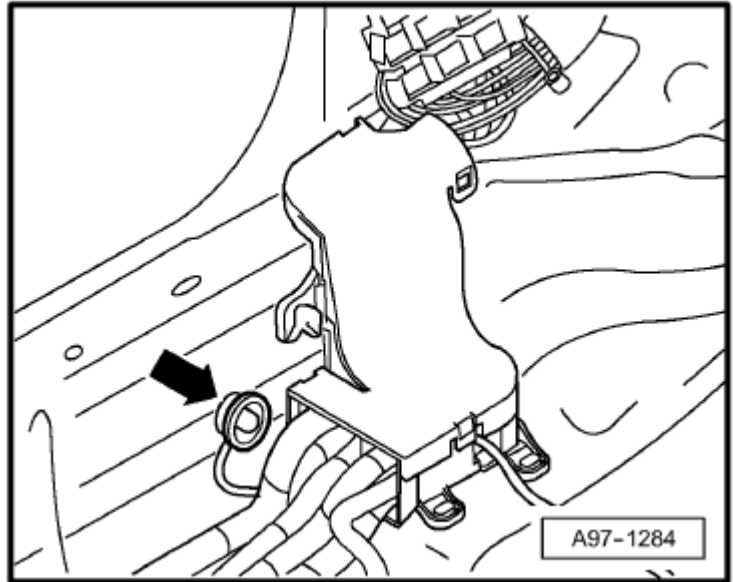
lower part of left B-pillar

Torque: 9 Nm



670 Earth point 2, left A-pillar -arrow-

Lower part of left A-pillar

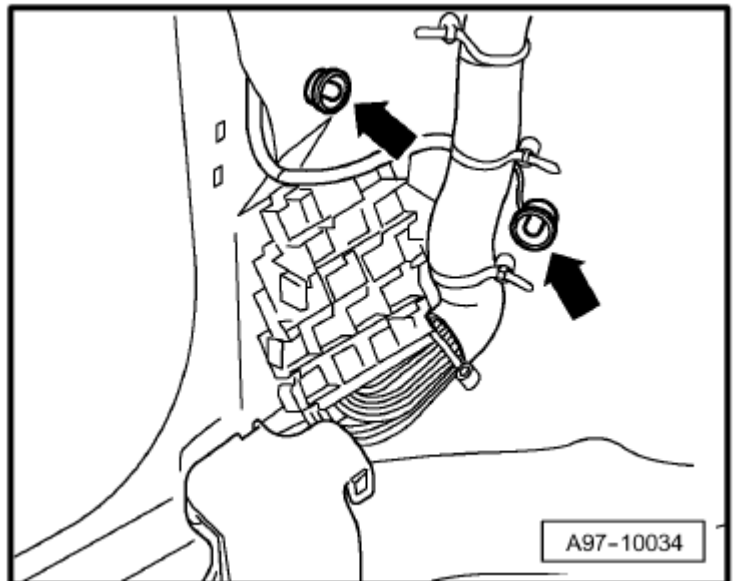


Torque: 9 Nm

44 Earth point, left A-pillar -arrow-

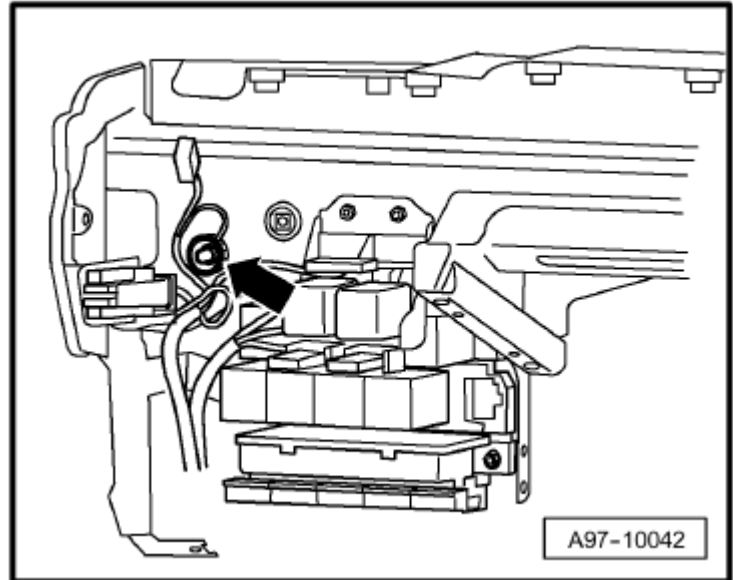
on left A-pillar above coupling station

Torque: 9 Nm



- 32 Earth point behind dash panel on left -
arrow-

behind the dash panel, upper left, next to 9-point
relay carrier

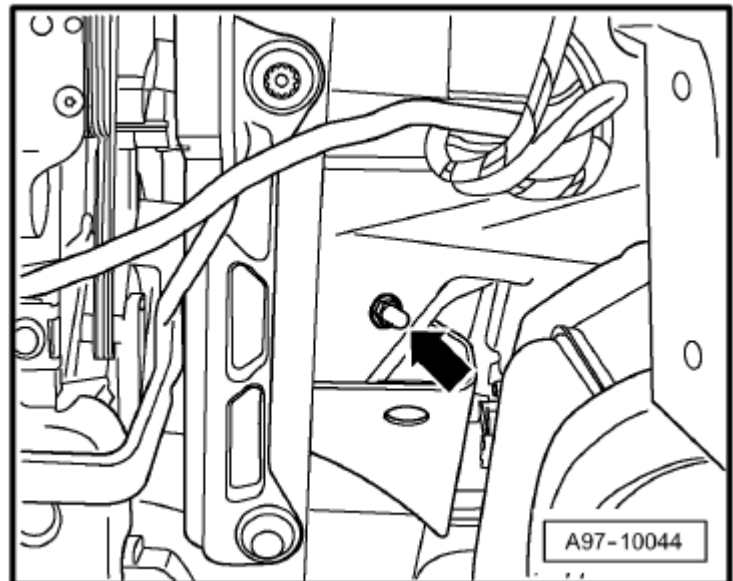


Torque: 9 Nm

- 45 Earth point, centre behind dash panel -
arrow-

behind the dash panel right, next to steering
column

Torque: 9 Nm



Все данные взяты с сайта superetka.com/elsa и они полностью бесплатны