

## Oil filter housing - exploded view of components

### Vehicles up to 04.2005

**1 - 13 Nm**

**2 - Oil pressure switch - F1-**

- Black insulation
- Checking → Chapter „Checking oil pressure“
- Removing and installing → Chapter
- Tighten to 20 Nm

**3 - 13 Nm**

**4 - Sleeve**

**5 - Rubber grommet**

**6 - Oil filter housing**

- With filter bypass valve, 3.0 bar
- With oil retention valve
- The oil retention valve cannot be renewed
- Removing and installing → Chapter

**7 - O-ring**

- Renew
- Installing → Fig.

**8 - Sealing cap, 25 Nm**

**9 - Seal**

- Renew
- Removing and installing → Fig.

**10 - Oil filter element**

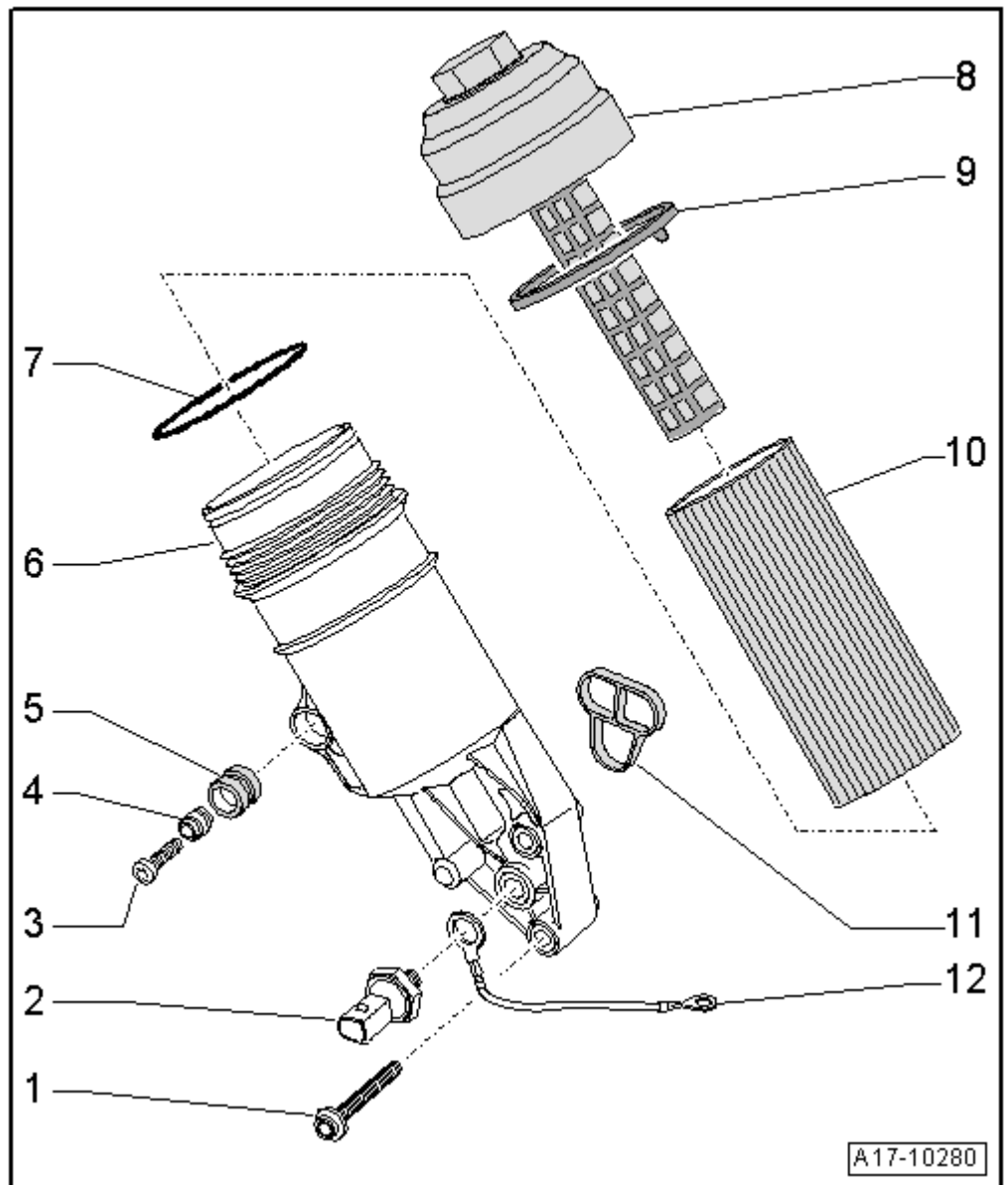
- Removing and installing →

**11 - Gasket**

- Renew

**12 - Seal with earth wire**

- Renew



### Vehicles from 05.2005

**1 - 13 Nm**

**2 - Oil pressure switch - F1-**

- Tighten to 20 Nm
- Black insulation
- Removing and installing → Chapter
- Checking → Chapter „Checking oil pressure“

**3 - Multi-point socket flange nut, 13 Nm**

**4 - 13 Nm**

**5 - Sleeve**

### 6 - Rubber grommet

### 7 - Oil filter housing

- With filter bypass valve, 3.0 bar
- With oil retention valve
- The oil retention valve cannot be renewed

### 8 - O-ring

- Renew
- Installing → Fig.

### 9 - Sealing cap, 25 Nm

### 10 - Seal

- Renew
- Removing and installing → Fig.

### 11 - Oil filter element

- Removing and installing →

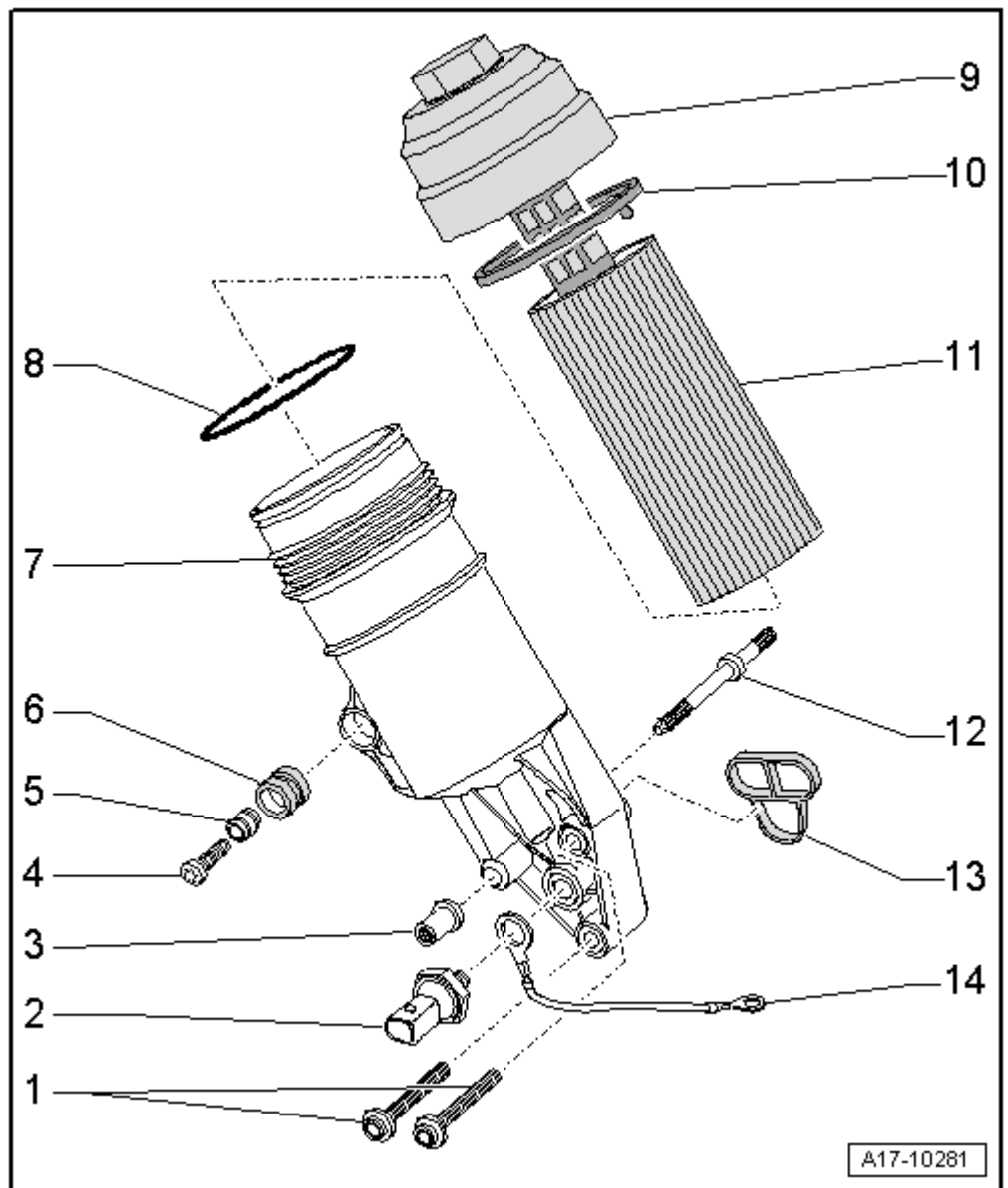
### 12 - Stud, 16 Nm

### 13 - Seal

- Renew

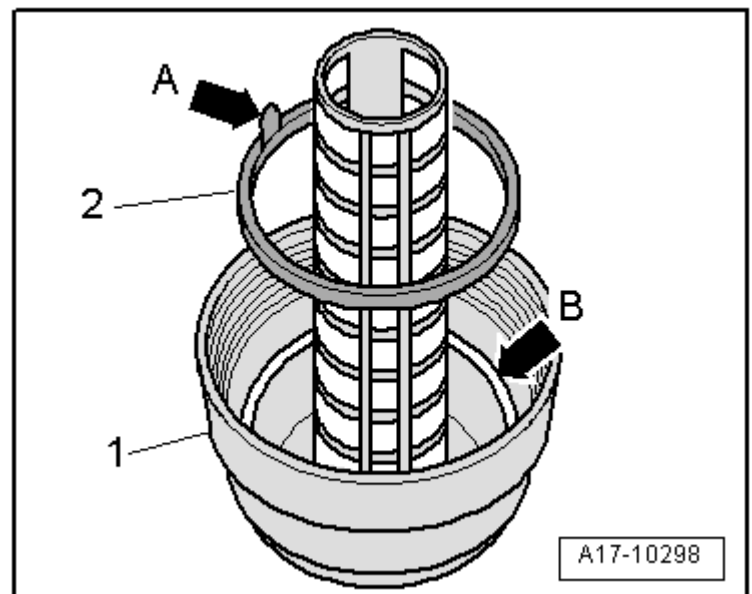
### 14 - Seal with earth wire

- Renew



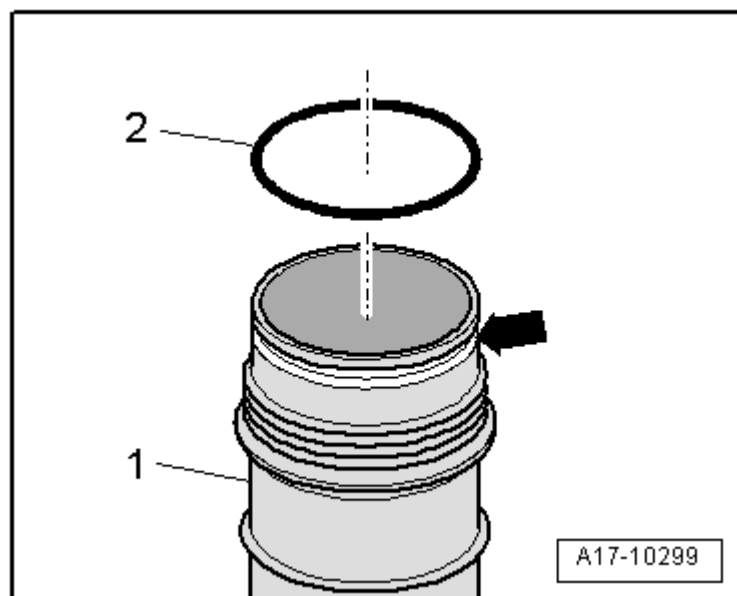
### Renewing seal on sealing cap

- Take hold of tab -arrow A- and pull seal -2- out of sealing cap -1-.
- Fit new seal with semi-circular profile in groove -arrow B- in sealing cap.
- The tab -arrow A- must face upwards.



### Installing O ring on oil filter housing

- Install O-ring -2- in groove -arrow- on oil filter housing -1-.



Все данные взяты с сайта [superetka.com/elsa](http://superetka.com/elsa) и они полностью бесплатны