

Intake manifold - exploded view

1 - 2.5 Nm

2 - Variable intake manifold change-over valve -N156-

3 - 2.5 Nm

4 - Actuator for intake manifold change-over

- Installation position of toothed segments for intake manifold change-over → Fig.
- Replacement part is supplied together with → Item

5 - Seal

- Renew if damaged
- When renewing lever out with screwdriver
- Press in by hand

6 - Ball stud, 2.5 Nm

7 - O-ring

- Renew
- When installing lubricate lightly with clean engine oil

8 - Injector

9 - O-ring

- Renew
- When installing lubricate lightly with clean engine oil

10 - Retaining clip

- Ensure it is positioned correctly on injector and fuel rail

11 - Fuel pipe

- Tighten to 22 Nm

12 - Fuel rail

13 - 5 Nm

14 - 5 Nm

15 - Bracket for wiring harness

16 - Throttle valve module -J338-

17 - Seal

- Renew

18 - 2.5 Nm

19 - Intake air temperature sender -G42-/intake manifold pressure sender -G71-

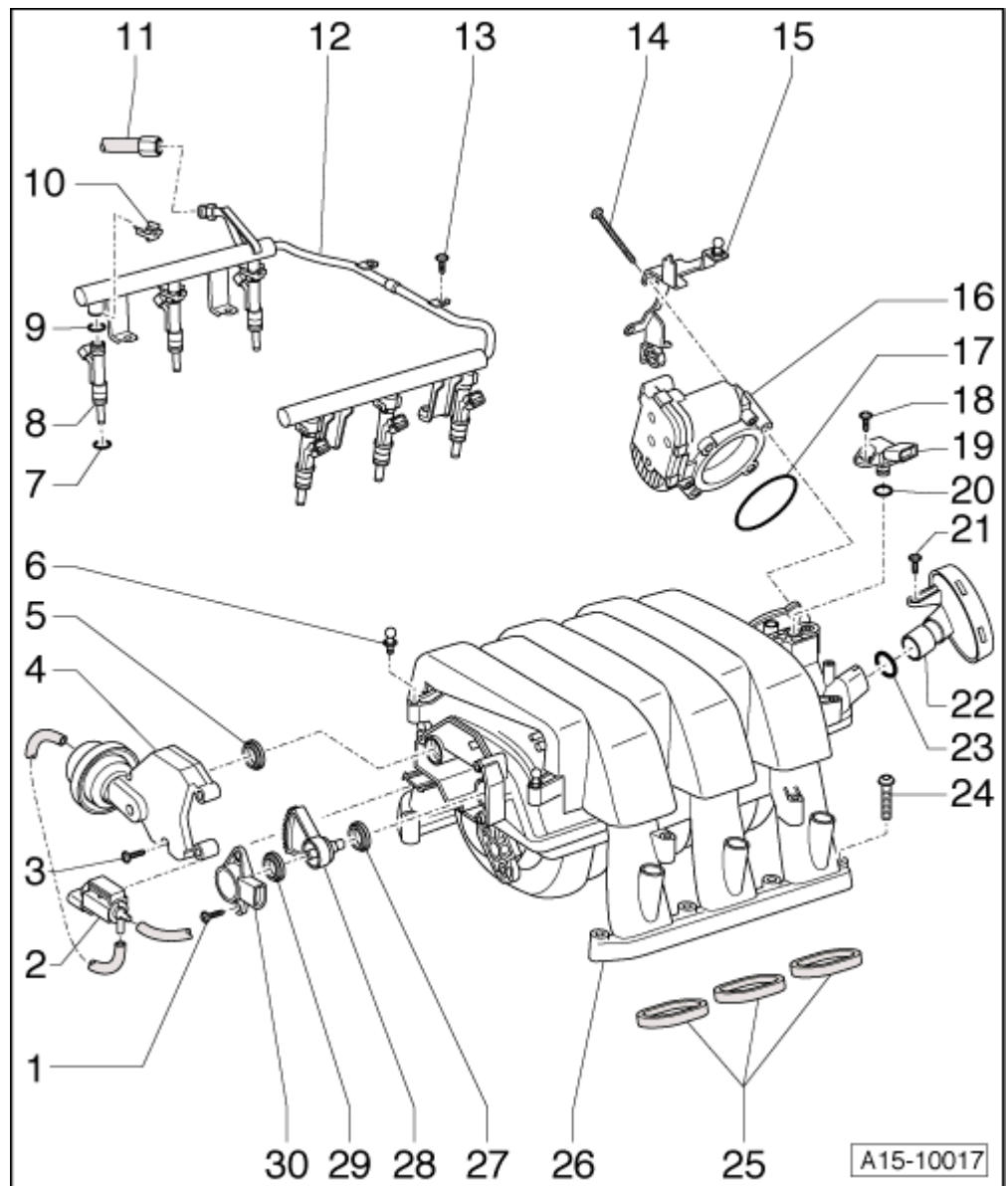
20 - O-ring

- Renew

21 - 2.5 Nm

22 - Pressure control valve for crankcase breather system

23 - O-ring



A15-10017

- Renew

24 - 8 Nm

25 - Gaskets

- Renew

26 - Intake manifold

- Removing and installing → Chapter

27 - Seal

- Renew if damaged
- When renewing lever out with screwdriver
- Press in by hand

28 - Lever with toothed segment

- For intake manifold change-over
- Installation position of toothed segments → Fig.
- Replacement part is supplied together with → Item

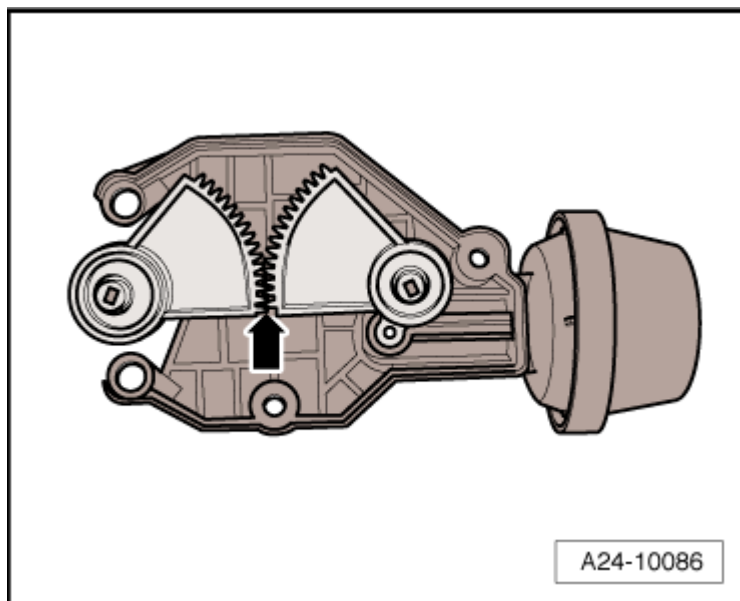
29 - Seal

- Renew if damaged
- When renewing lever out with screwdriver
- Press in by hand

30 - Potentiometer for intake manifold -G513-

Installation position of toothed segments for intake manifold change-over

- The lower edges of the toothed segments must be flush - arrow-



Все данные взяты с сайта superetka.com/elsa и они полностью бесплатны