

Removing and installing thermostat

Removing

- Drain off coolant → [Chapter](#).
- Remove intake manifold → [Rep. Gr.24](#).
- Remove coolant pipe (front) → [Chapter](#).



Note

Place a cloth underneath to catch any escaping coolant.

- Remove bolts -arrows-.
- Detach thermostat with hose connection.

Installing

Installation is carried out in the reverse order; note the following:



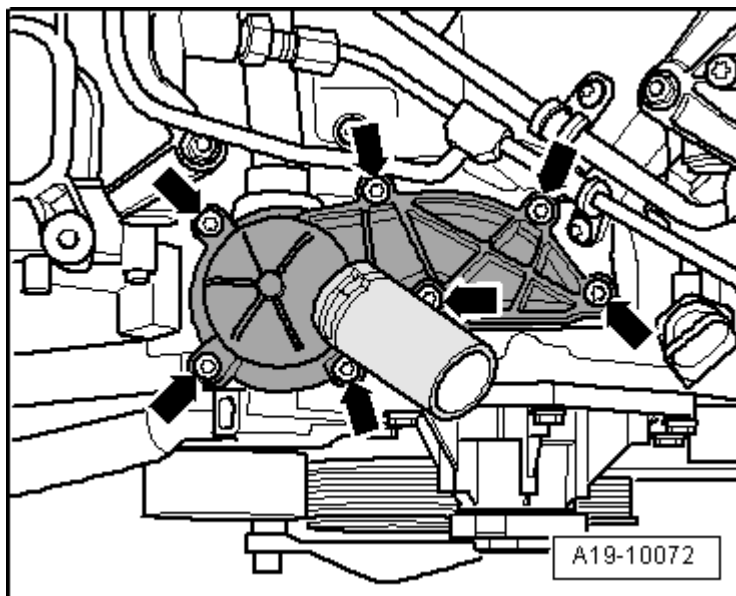
Note

Renew seals and gaskets.

- Install coolant pipe (front) → [Chapter](#).
- Install intake manifold → [Rep. Gr.24](#).
- Fill cooling system → [Anchor](#).

Tightening torque

Component	Nm
Coolant thermostat with hose connection to cylinder block	9



Все данные взяты с сайта superetka.com/elsa и они полностью бесплатны