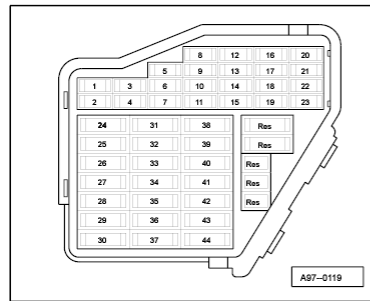


Headlights with gas discharge lamps and automatic static headlight range control

From model year 2000

Fuse box

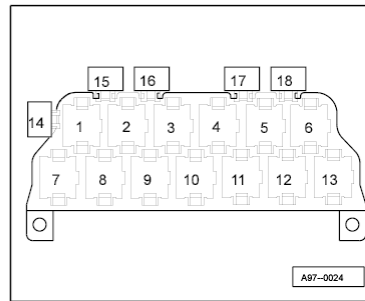


Fuse colours:

- 30 A - green
- 25 A - white
- 20 A - yellow
- 15 A - blue
- 10 A - red
- 7.5 A - brown
- 5 A - beige

From fuse number 23 upwards the fuses in the fuse box are designated as 223 etc. in the Current Flow Diagram.

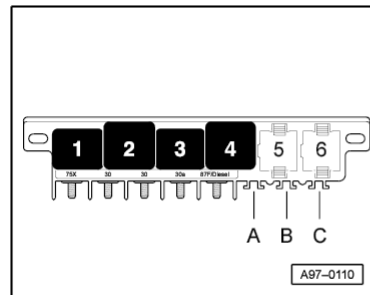
13-point relay carrier



Position of relays:

- 9** - Bulb monitoring device (J123)
- 10** - Bulb monitoring device (J123)

Micro-central electrics



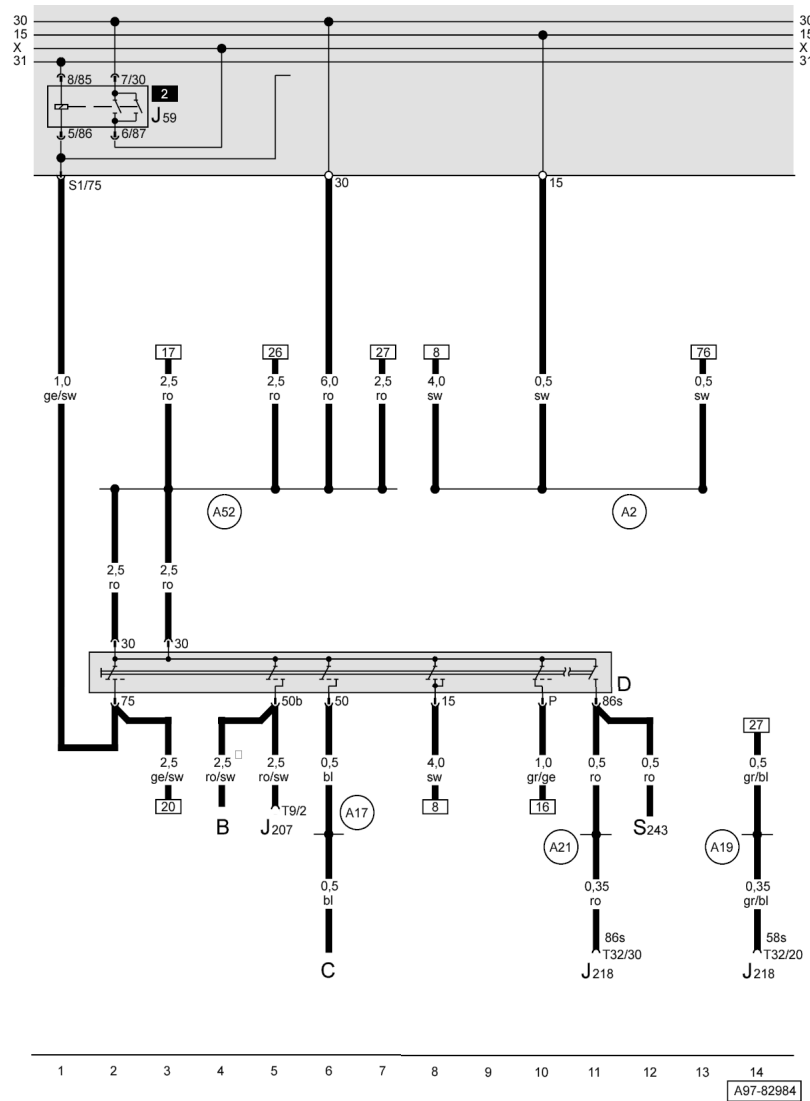
Position of relays:

- 2** - X contact relief relay (J59)

# Audi A6

## Current Flow Diagram

## No. 42 / 2



### Ignition/starter switch, X contact relief relay

- B - Starter
- C - Alternator
- D - Ignition/starter switch
- J59 - X contact relief relay
- J207 - Starter inhibitor relay
- J218 - Combi-processor in dash panel insert
- S243 - Fuse 43 in fuse box
- T9 - 9-pin connector, brown, at starter inhibitor relay
- T32 - 32-pin connector, blue, on dash panel insert
- A2 - Positive (+) connection (15), in dash panel wiring harness
- A17 - Connection (61), in dash panel wiring harness
- A19 - Connection (58s), in dash panel wiring harness (switch illumination)
- A21 - Connection (86s), in dash panel wiring harness
- A52 - Positive (+) connection -2- (30), in dash panel wiring harness
- \* - Models with manual gearbox
- \*\* - Models with automatic gearbox

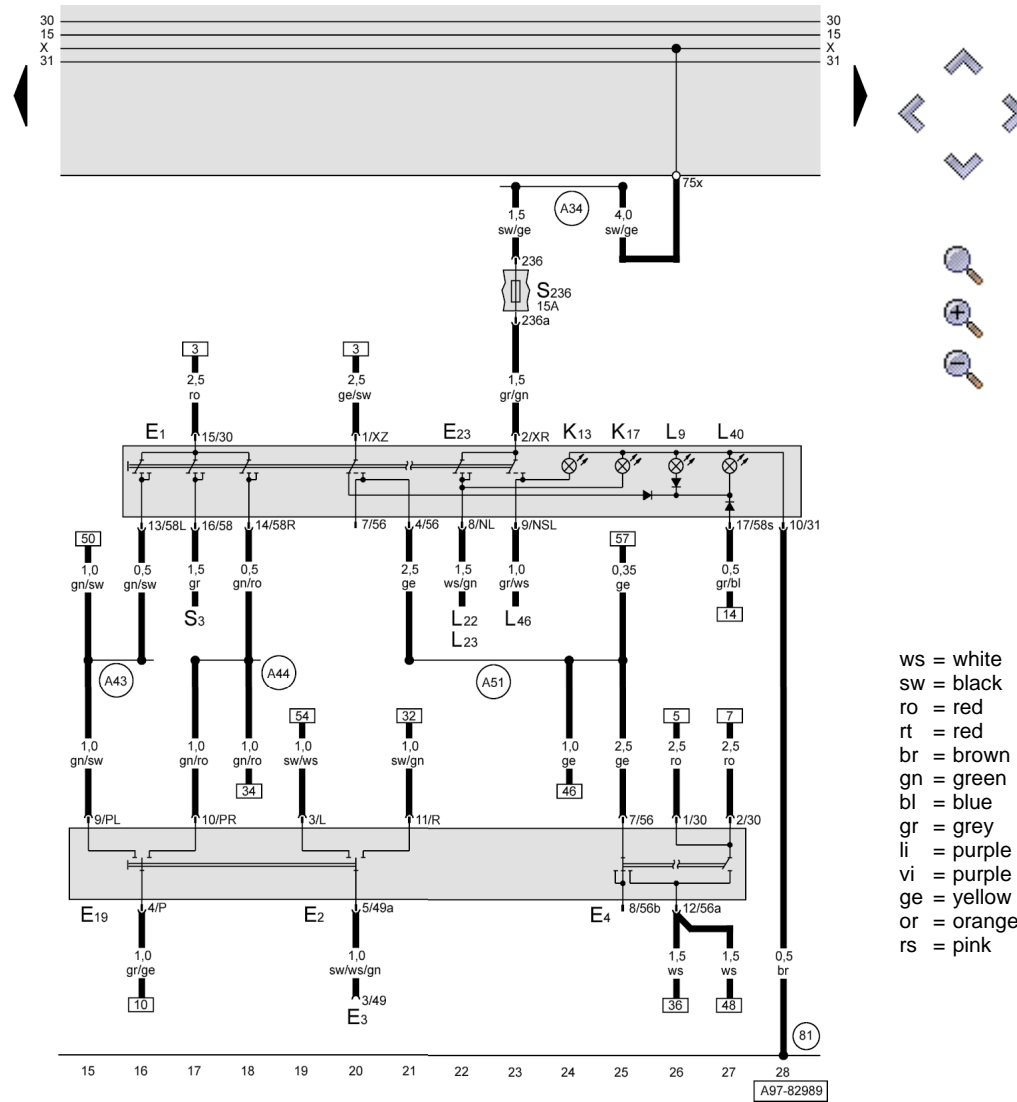
ws = white  
 sw = black  
 ro = red  
 rt = red  
 br = brown  
 gn = green  
 bl = blue  
 gr = grey  
 li = purple  
 vi = purple  
 ge = yellow  
 or = orange  
 rs = pink

A97-82984

# Audi A6

## Current Flow Diagram

### No. 42 / 3



#### Lighting switch, headlight dipper switch

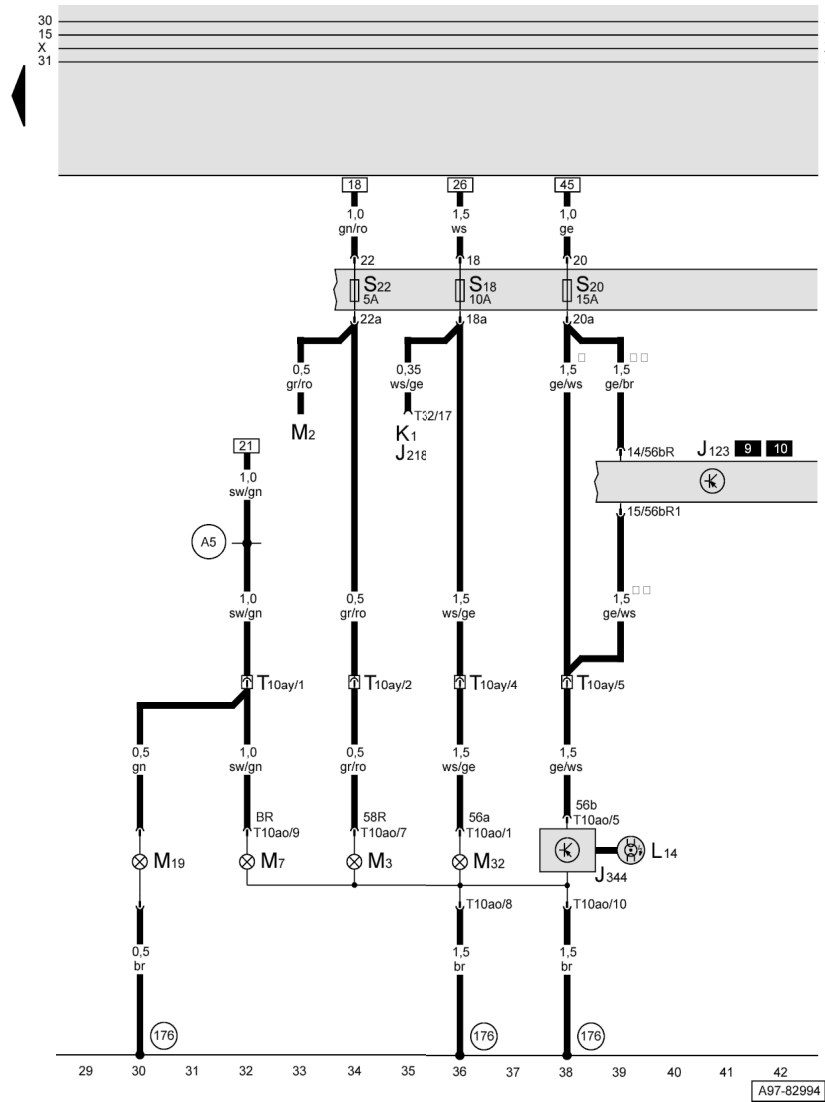
- E1 - Lighting switch
- E2 - Turn signal switch
- E3 - Hazard warning light switch
- E4 - Headlight dipper/flasher switch
- E19 - Parking light switch
- E23 - Front and rear fog light switch
- K13 - Rear fog light warning lamp
- K17 - Fog light warning lamp
- L9 - Lighting switch light bulb
- L22 - Fog light bulb, left
- L23 - Fog light bulb, right
- L40 - Front and rear fog light switch illumination bulb
- L46 - Rear fog light bulb, left
- S3 - Fuse in fuse box
- S236 - Fuse 36 in fuse box
- 81 - Earth connection -1-, in dash panel wiring harness
- A34 - Connection (75x), in dash panel wiring harness
- A43 - Connection (57L), in dash panel wiring harness
- A44 - Connection (57R), in dash panel wiring harness
- A51 - Connection (56), in dash panel wiring harness

ws = white  
 sw = black  
 ro = red  
 rt = red  
 br = brown  
 gn = green  
 bl = blue  
 gr = grey  
 li = purple  
 vi = purple  
 ge = yellow  
 or = orange  
 rs = pink

# Audi A6

## Current Flow Diagram

### No. 42 / 4



#### Headlight, right

- J123 - Bulb monitoring device
  - J218 - Combi-processor in dash panel insert
  - J344 - Right gas discharge lamp control unit
  - K1 - Main beam warning lamp
  - L14 - Right gas discharge lamp
  - M2 - Tail light bulb, right
  - M3 - Side light bulb, right
  - M7 - Turn signal bulb, front right
  - M19 - Side turn signal bulb, right
  - M32 - Main beam bulb, right
  - S18 - Fuse in fuse box
  - S20 - Fuse in fuse box
  - S22 - Fuse in fuse box
  - T10ao - 10-pin connector, on headlight, right
  - T10ay - 10-pin connector, pink, connector point, A pillar, right
  - T32 - 32-pin connector, blue, on dash panel insert
  - 176 - Earth connection, in right headlight wiring harness
- 
- A5 - Positive (+) connection (right turn signal), in dash panel wiring harness

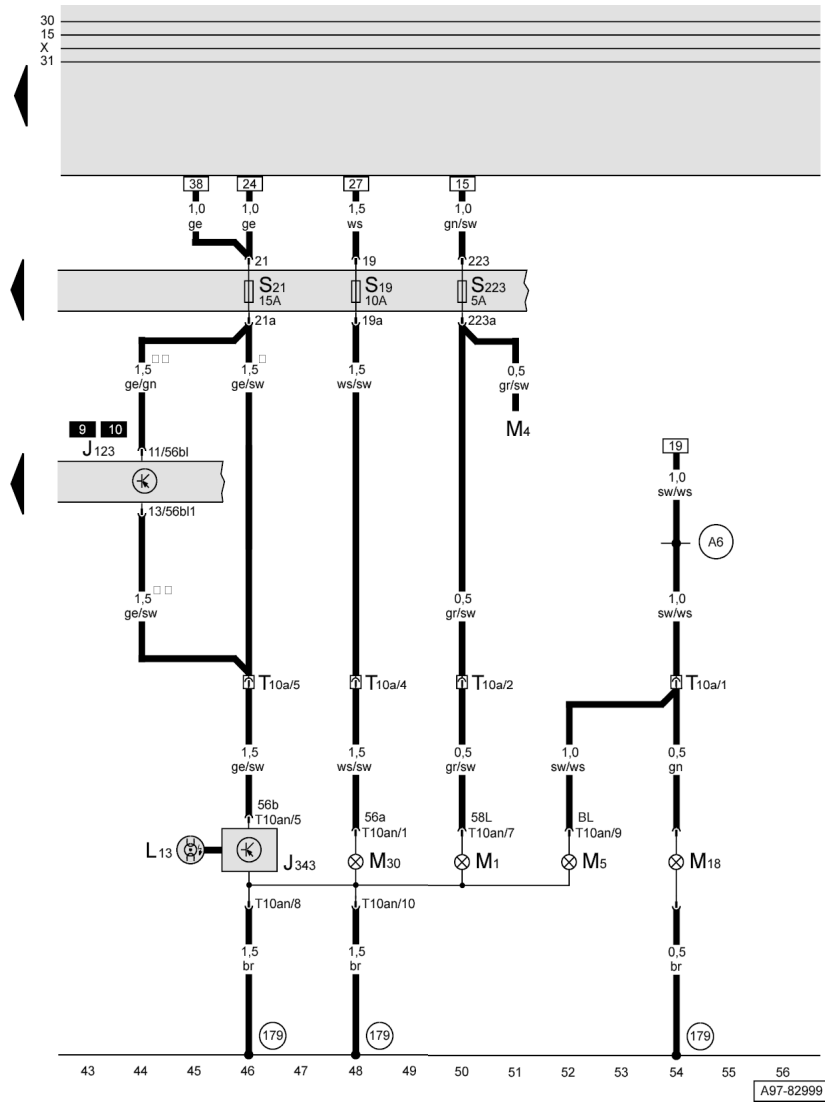
ws = white  
 sw = black  
 ro = red  
 rt = red  
 br = brown  
 gn = green  
 bl = blue  
 gr = grey  
 li = purple  
 vi = purple  
 ge = yellow  
 or = orange  
 rs = pink

- \* - Models without driver information system
- \*\* - Models with driver information system

# Audi A6

## Current Flow Diagram

### No. 42 / 5



#### Headlight, left

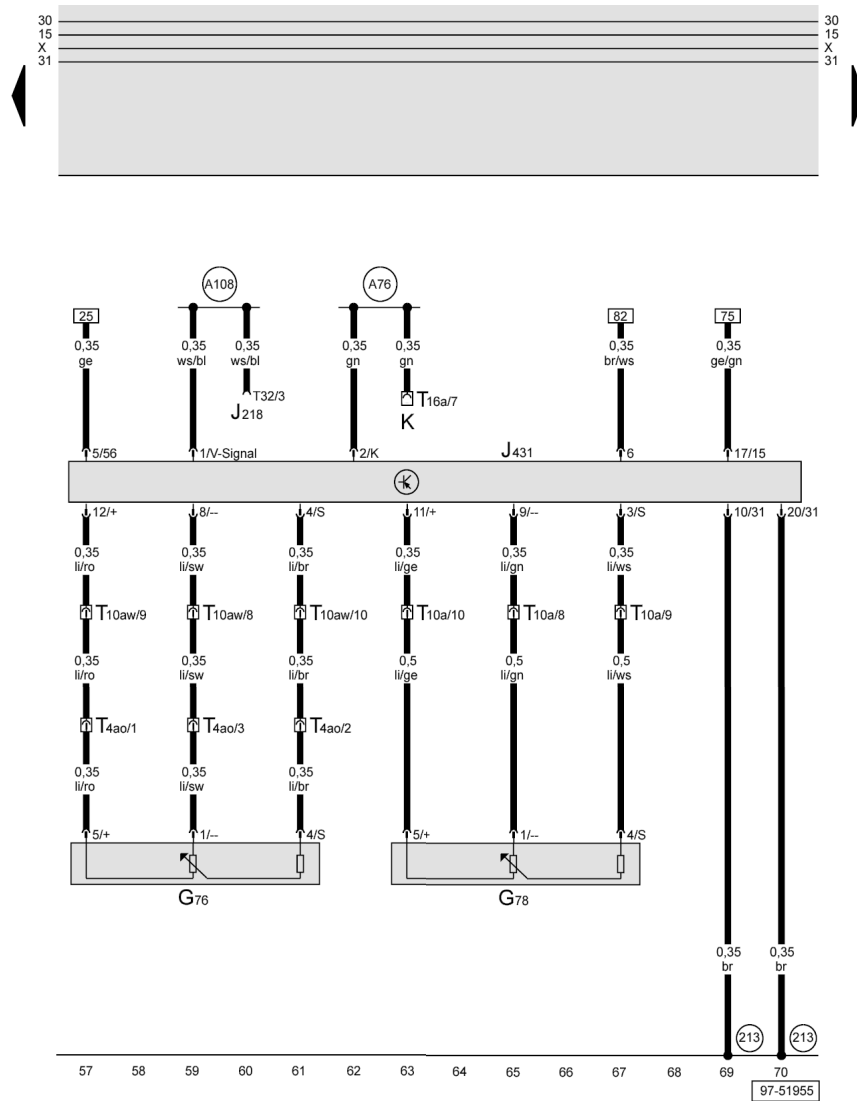
- J123 - Bulb monitoring device
- J343 - Left gas discharge lamp control unit
- L13 - Left gas discharge lamp
- M1 - Side light bulb, left
- M4 - Tail light bulb, left
- M5 - Turn signal bulb, front left
- M18 - Side turn signal bulb, left
- M30 - Main beam bulb, left
- S19 - Fuse in fuse box
- S21 - Fuse in fuse box
- S223 - Fuse 23 in fuse box
- T10a - 10-pin connector, pink, connector point, A pillar, left
- T10b - 10-pin connector, red, connector point, A pillar, left
- T10an - 10-pin connector, on headlight, left
- 179 - Earth connection, in left headlight wiring harness
- A6 - Positive (+) connection (left turn signal), in dash panel wiring harness
- \* - Models without driver information system
- \*\* - Models with driver information system

ws = white  
 sw = black  
 ro = red  
 rt = red  
 br = brown  
 gn = green  
 bl = blue  
 gr = grey  
 li = purple  
 vi = purple  
 ge = yellow  
 or = orange  
 rs = pink

# Audi A6

## Current Flow Diagram

### No. 42 / 6



#### Control unit for headlight range control, vehicle level senders rear left and front left

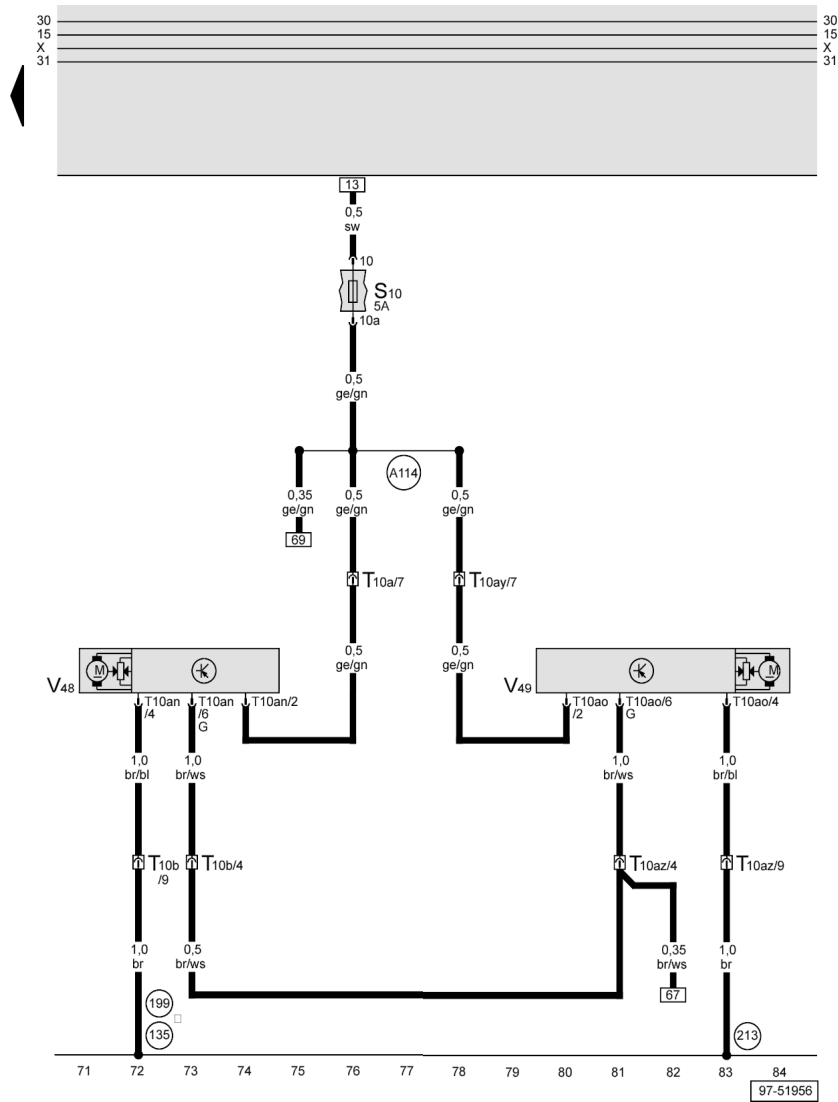
- G76 - Vehicle level sender, rear left
- G78 - Vehicle level sender, front left
- J218 - Combi-processor in dash panel insert
- J431 - Headlight range control, control unit
- K - Diagnosis connection
- T4ao - 4-pin connector, black, under rear seat, left
- T10a - 10-pin connector, pink, connector point, A pillar, left
- T10aw - 10-pin connector, black, connector point, A pillar, right
- T16a - 16-pin connector, diagnosis connection
- T32 - 32-pin connector, blue, on dash panel insert
- 213 - Earth connection -4-, in dash panel wiring harness
- A76 - Connection (diagnosis wire K), in dash panel wiring harness
- A108 - Connection (speed signal), in dash panel wiring harness

ws = white  
 sw = black  
 ro = red  
 rt = red  
 br = brown  
 gn = green  
 bl = blue  
 gr = grey  
 li = purple  
 vi = purple  
 ge = yellow  
 or = orange  
 rs = pink

# Audi A6

## Current Flow Diagram

### No. 42 / 7



#### Headlight range control motors left and right

- S10 - Fuse in fuse box
- T10a - 10-pin connector, pink, connector point, A pillar, left
- T10b - 10-pin connector, red, connector point, A pillar, left
- T10an - 10-pin connector, on headlight, left
- T10ao - 10-pin connector, on headlight, right
- T10ay - 10-pin connector, pink, connector point, A pillar, right
- T10az - 10-pin connector, red, connector point, A pillar, right
- V48 - Headlight range control motor, left
- V49 - Headlight range control motor, right
- 135 - Earth connection -2-, in dash panel wiring harness
- 199 - Earth connection -3-, in dash panel wiring harness
- 213 - Earth connection -4-, in dash panel wiring harness
- A114 - Connection (headlight range control), in dash panel wiring harness
- \* - Both possible

ws = white  
 sw = black  
 ro = red  
 rt = red  
 br = brown  
 gn = green  
 bl = blue  
 gr = grey  
 li = purple  
 li = purple  
 vi = purple  
 ge = yellow  
 or = orange  
 rs = pink