
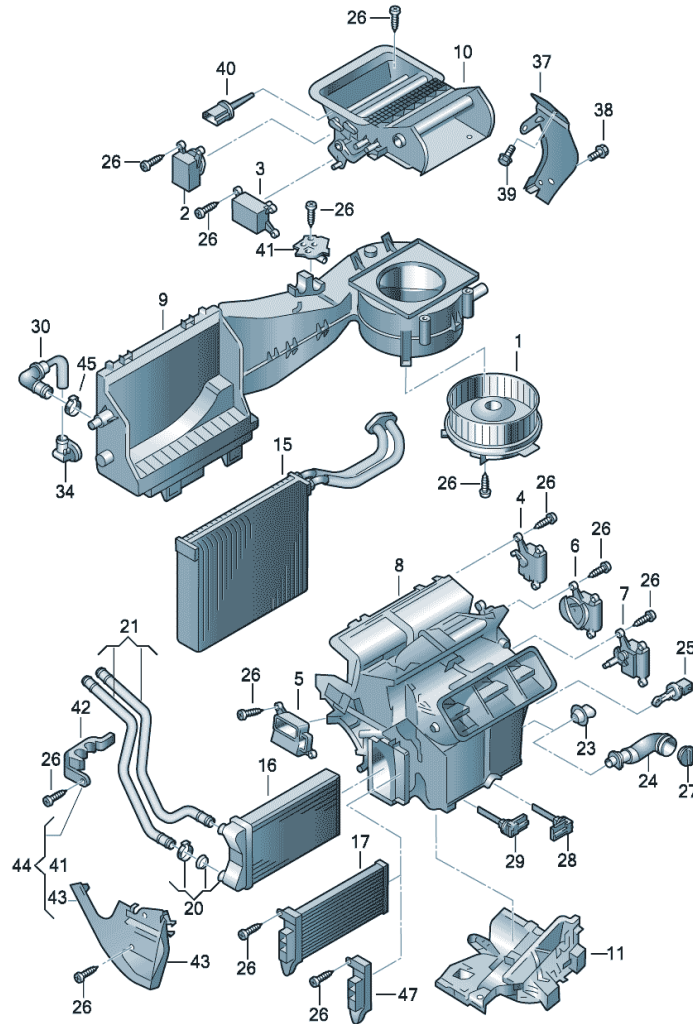




Model	Year	MG	SG	Illustration	Restrictions	UPD	 Audi	
A4Q	2008	8	20	820-020	8E-8-000 001 >>			



Pos	Part Number	Description	Remark	Qty	Model
		air-conditioning system with electronic regulation			
1	8E1 820 021 E	fan	lhd	1	
(1)	8E2 820 021 E	fan	rhd	1	
2	8E1 820 511 M	actuator motor for air flow flap	light blue V71	lhd	1
3	8E1 820 511 L	positioning motor for recirculated air operation	blue V113	lhd	1
(3)	8E2 820 511 J	positioning motor for recirculated air operation	blue V113	rhd	1
4	8E1 820 511 J	servomotor for defroster flap	green V107	lhd	1
(4)	8E2 820 511 G	servomotor for defroster flap	green V107	rhd	1
5	8E1 820 511 G	control motor for temperature regulating flap	left red V158	lhd	1
(5)	8E2 820 511 E	control motor for temperature regulating flap	right yellow V159	rhd	1
6	8E1 820 511 K	actuator motor, footwell flap central flap positioning motor	white V70	lhd	1
(6)	8E2 820 511 H	actuator motor, footwell flap central flap positioning motor	black V70	rhd	1
(7)	8E1 820 511 H	control motor for temperature regulating flap	right violet V159	lhd	1
(7)	8E2 820 511 F	control motor for temperature regulating flap	left brown V158	rhd	1
8	8E1 820 353 B	air distribution housing	lhd	1	
(8)	8E2 820 353 B	air distribution housing	rhd	1	
9	8E2 820 024	evaporator housing	rhd	1	

Model	Year	MG	SG	Illustration	Restrictions	UPD	 Audi			
A4Q	2008	8	20	820-020	8E-8-000 001 >>					

Pos	Part Number	Description	Remark	Qty	Model	Pos	Part Number	Description	Remark	Qty	Model
(9)	8E1 820 024	evaporator housing	lhd	1		29	4B0 820 539	temperature sensor	G261	1	
10	8E1 820 153	intake duct	lhd	1		30	8E1 260 113 A	water drain pipe	lhd	1	
(10)	8E2 820 153	intake duct	rhd	1		(30)	8E2 260 113 A	water drain pipe	rhd	1	
11	8E1 819 151	footwell vent	lhd	1		34	8E0 260 155	drain tube		1	
(11)	8E2 819 151	footwell vent	rhd	1		37	8E1 819 079	retaining bar	lhd	1	
15	8E1 820 103 A	evaporator	lhd	1		(37)	8E2 819 079	retaining bar	rhd	1	
(15)	8E2 820 103 A	evaporator	rhd	1		38	N 010 287 12	hexagon bolt	M6X16	4	
16	8E1 820 031	heat exchanger	lhd	1		39	N 904 570 03	hexagon head bolt (combi)	M6X15,5	1	
		also use:	8E0 898 380	1		40	1K0 907 543 G	temperature sensor		1	
(16)	8E2 820 031	heat exchanger	rhd	1		41		discont. / replace:	8E1 898 400	1	
		also use:	8E0 898 380	1					lhd	1	
17	4B1 819 011	auxiliary heater	LLKG	1					8E2 898 400	1	
			Z35						rhd	1	
(17)	4B2 819 011	auxiliary heater	RLKG	1		42		discont. / replace:	8E1 898 400	1	
			Z35						lhd	1	
20	8E0 898 380	gasket set		1					8E2 898 400	1	
21	8E1 898 350	1 set: pipes for heat exchanger	lhd	1		43		discont. / replace:	8E1 898 400	1	
		also use:	8E0 898 380	1					lhd	1	
(21)	8E2 898 350	1 set: pipes for heat exchanger	rhd	1					8E2 898 400	1	
		also use:	8E0 898 380	1		44	8E1 898 400	1 set attachment parts for heat exchanger	lhd	1	
23	8E0 820 992 A	bungs		1		(44)	8E2 898 400	1 set attachment parts for heat exchanger	rhd	1	
24	8E1 816 311	air hose for models with cool box	lhd	1		45	N 100 951 01	clamp	8X17	1	
(24)	8E2 816 311	air hose for models with cool box	rhd	1		47	4B1 819 164	cover for models without auxiliary heater		1	
-	8E0 820 701	fresh air vent for vehicles with air condit. glove compartment		1		(47)	4B2 819 164	cover for models without auxiliary heater	RLKG	1	
	11/04-06/084PK	soul (black)				-	8E0 819 425 B	cover cap		1	
25	8E0 820 539	temperature sensor	G263	1		-	8E1 898 001 B	1 set: levers for air distribution housing	lhd	1	
26	N 104 241 02	hexagon head panel screw	4X16	X							
28	4B0 820 539	temperature sensor	G262	1		-	8E2 898 001 B	1 set: levers for air distribution housing	rhd	1	
(28)	8E0 820 539 B	temperature sensor		1							

Model	Year	MG	SG	Illustration	Restrictions	UPD			 Audi	
A4Q	2008	8	20	820-020	8E-8-000 001 >>					

Pos	Part Number	Description	Remark	Qty	Model	Pos	Part Number	Description	Remark	Qty	Model
-	8E0 898 001	1 set: levers for air distribution housing defroster flap comprising: F >> 8E-6-062 000* F >> 8E-6-801 000*		1 1							
-	8E0 898 001 A	1 set: levers for air distribution housing defroster flap F 8E-6-062 001>>* F 8E-6-801 001>>		1 1							