

SYSTEM WIRING DIAGRAMS

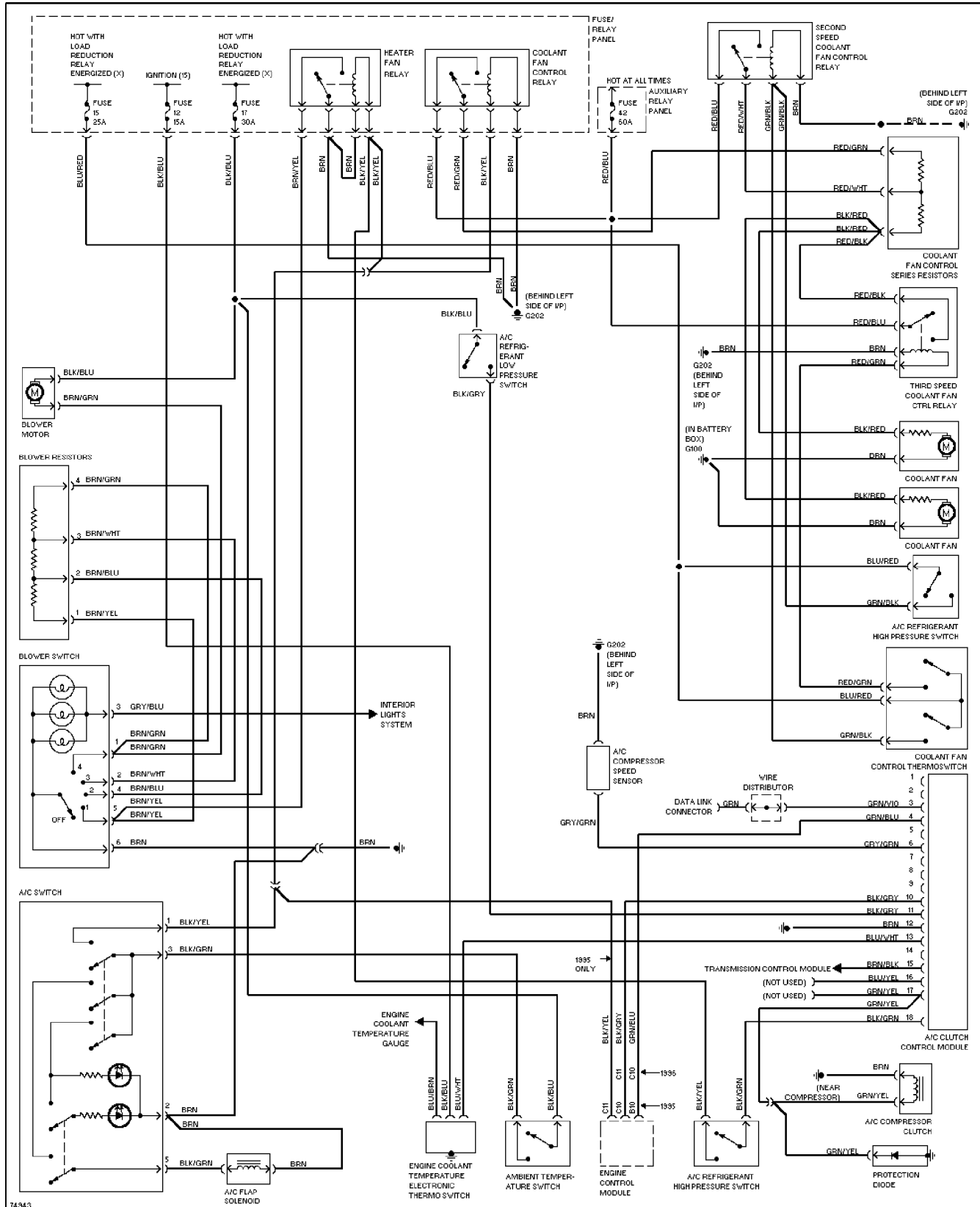
Air Conditioning Circuits

1996 Audi Cabriolet

For DIAKOM-AUTO <http://www.diakom.ru> Taganrog support@diakom.ru (8634)315187

Copyright © 1998 Mitchell Repair Information Company, LLC

Thursday, November 02, 2000 10:34AM



SYSTEM WIRING DIAGRAMS

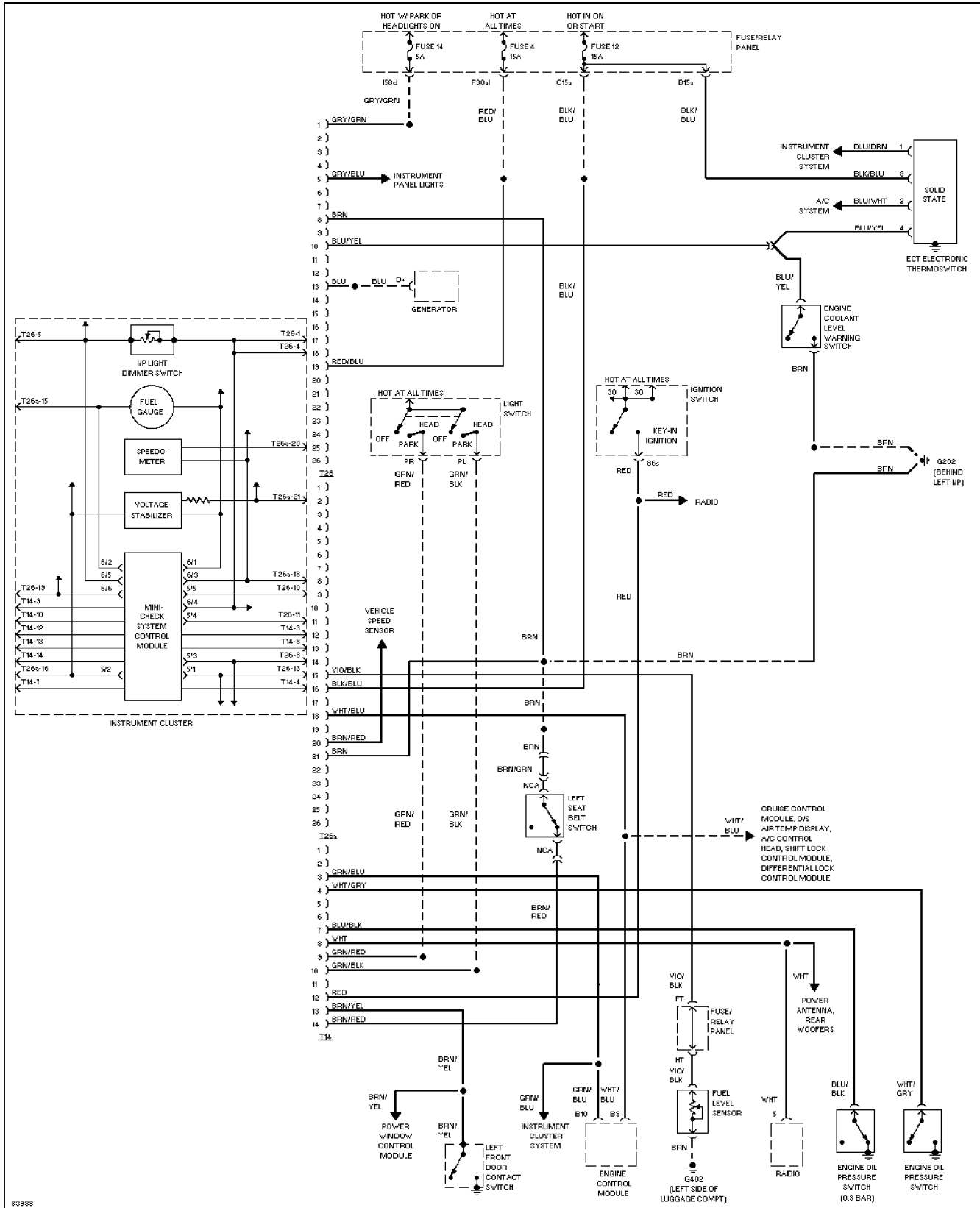
Warning System Circuits

1996 Audi Cabriolet

For DIAKOM-AUTO <http://www.diakom.ru> Taganrog support@diakom.ru (8634)315187

Copyright © 1998 Mitchell Repair Information Company, LLC

Thursday, November 02, 2000 11:00AM



SYSTEM WIRING DIAGRAMS

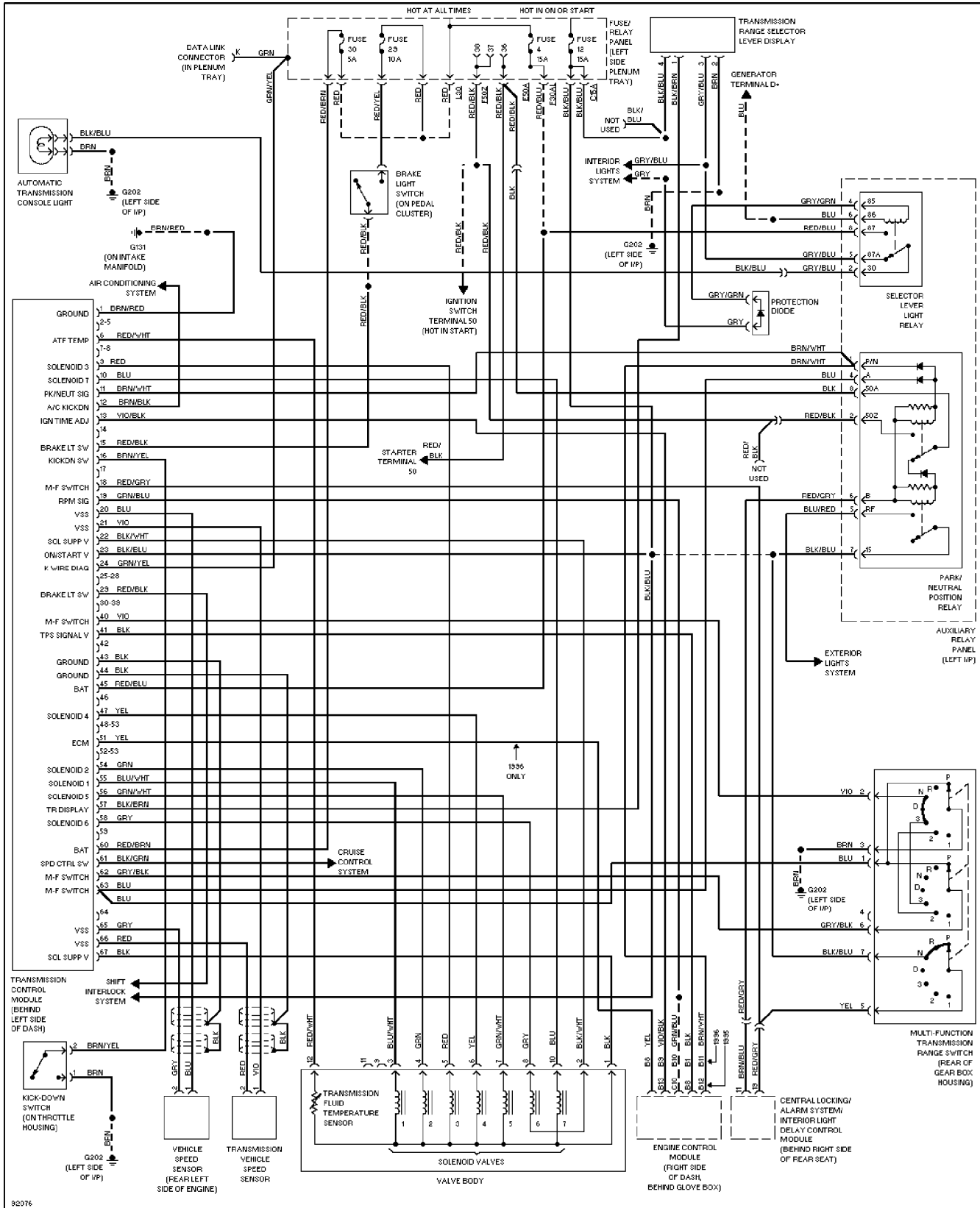
Transmission Circuit

1996 Audi Cabriolet

For DIAKOM-AUTO <http://www.diakom.ru> Taganrog support@diakom.ru (8634)315187

Copyright © 1998 Mitchell Repair Information Company, LLC

Thursday, November 02, 2000 10:59AM



SYSTEM WIRING DIAGRAMS

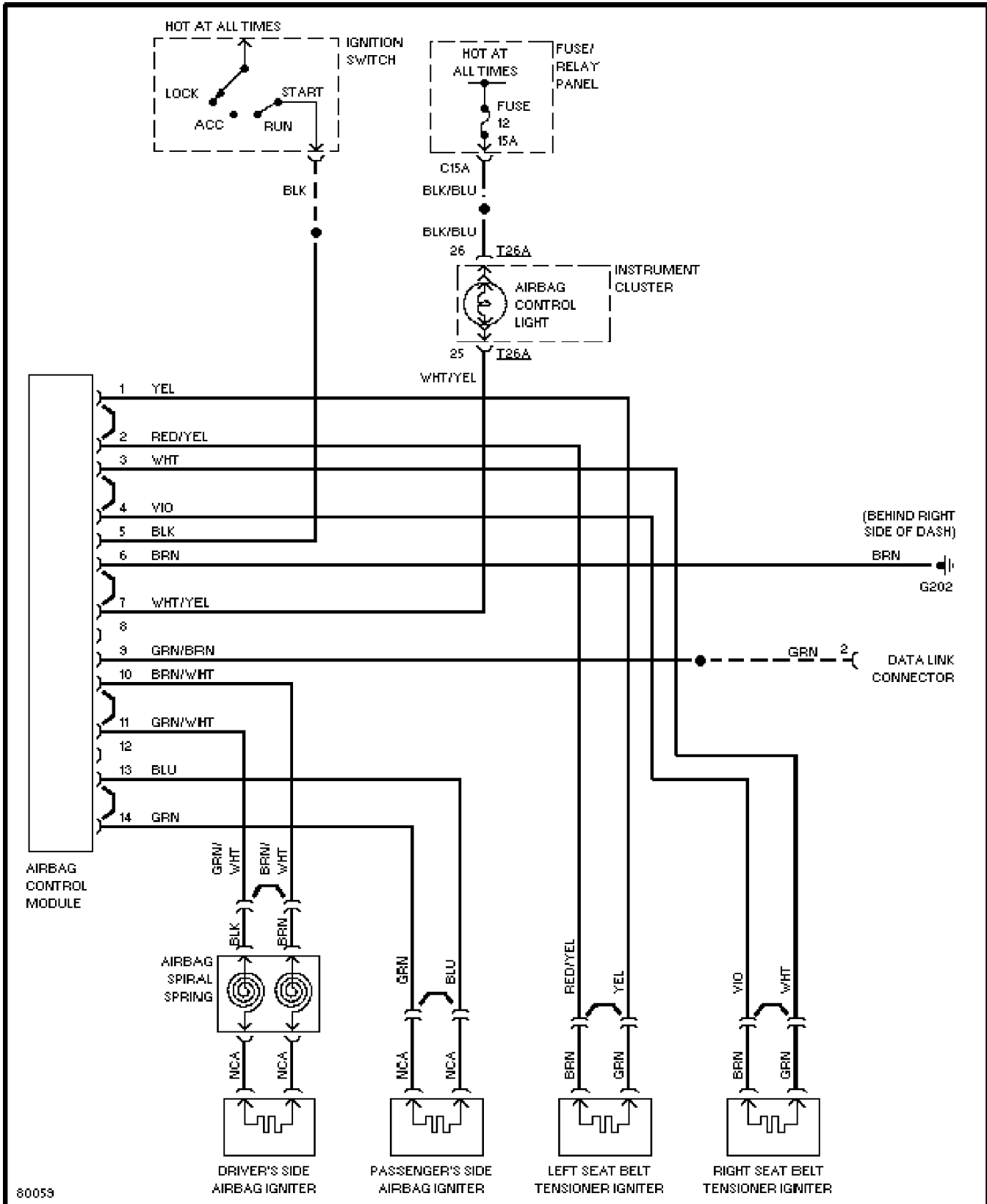
Supplemental Restraint Circuit

1996 Audi Cabriolet

For DIAKOM-AUTO <http://www.diakom.ru> Taganrog support@diakom.ru (8634)315187

Copyright © 1998 Mitchell Repair Information Company, LLC

Thursday, November 02, 2000 10:59AM



SYSTEM WIRING DIAGRAMS

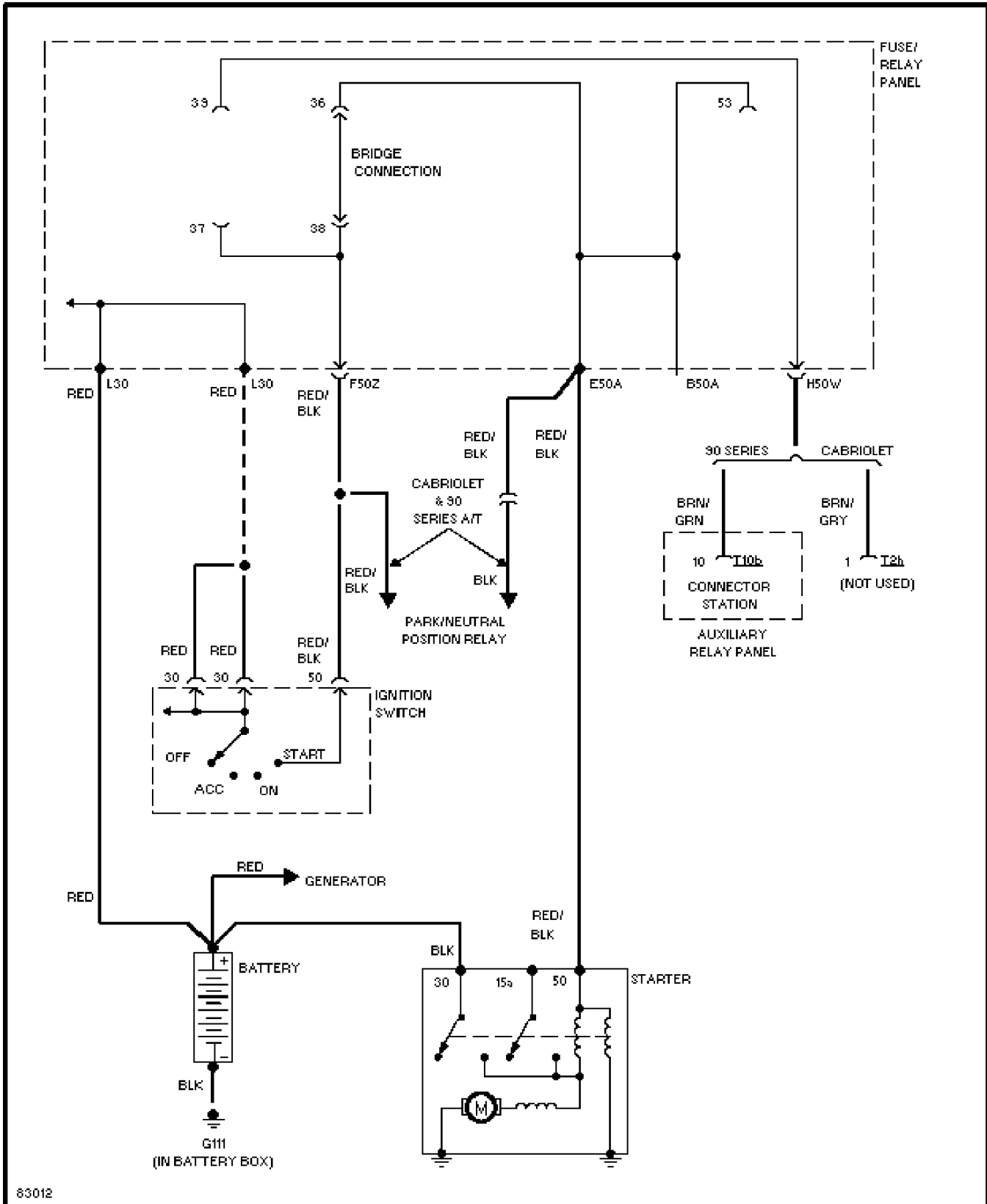
Starting Circuit

1996 Audi Cabriolet

For DIAKOM-AUTO <http://www.diakom.ru> Taganrog support@diakom.ru (8634)315187

Copyright © 1998 Mitchell Repair Information Company, LLC

Thursday, November 02, 2000 10:59AM



SYSTEM WIRING DIAGRAMS

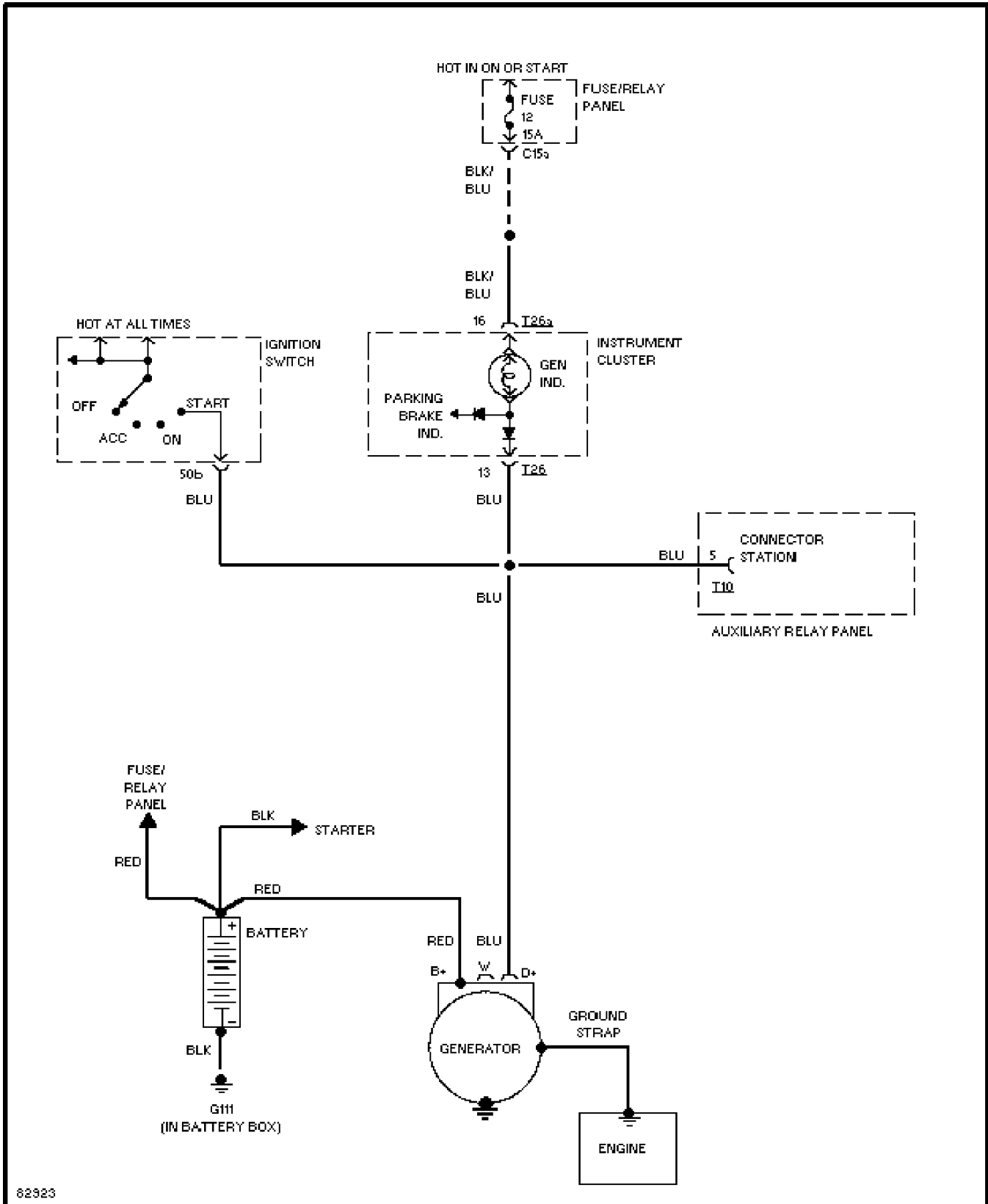
Charging Circuit

1996 Audi Cabriolet

For DIAKOM-AUTO <http://www.diakom.ru> Taganrog support@diakom.ru (8634)315187

Copyright © 1998 Mitchell Repair Information Company, LLC

Thursday, November 02, 2000 10:59AM



SYSTEM WIRING DIAGRAMS

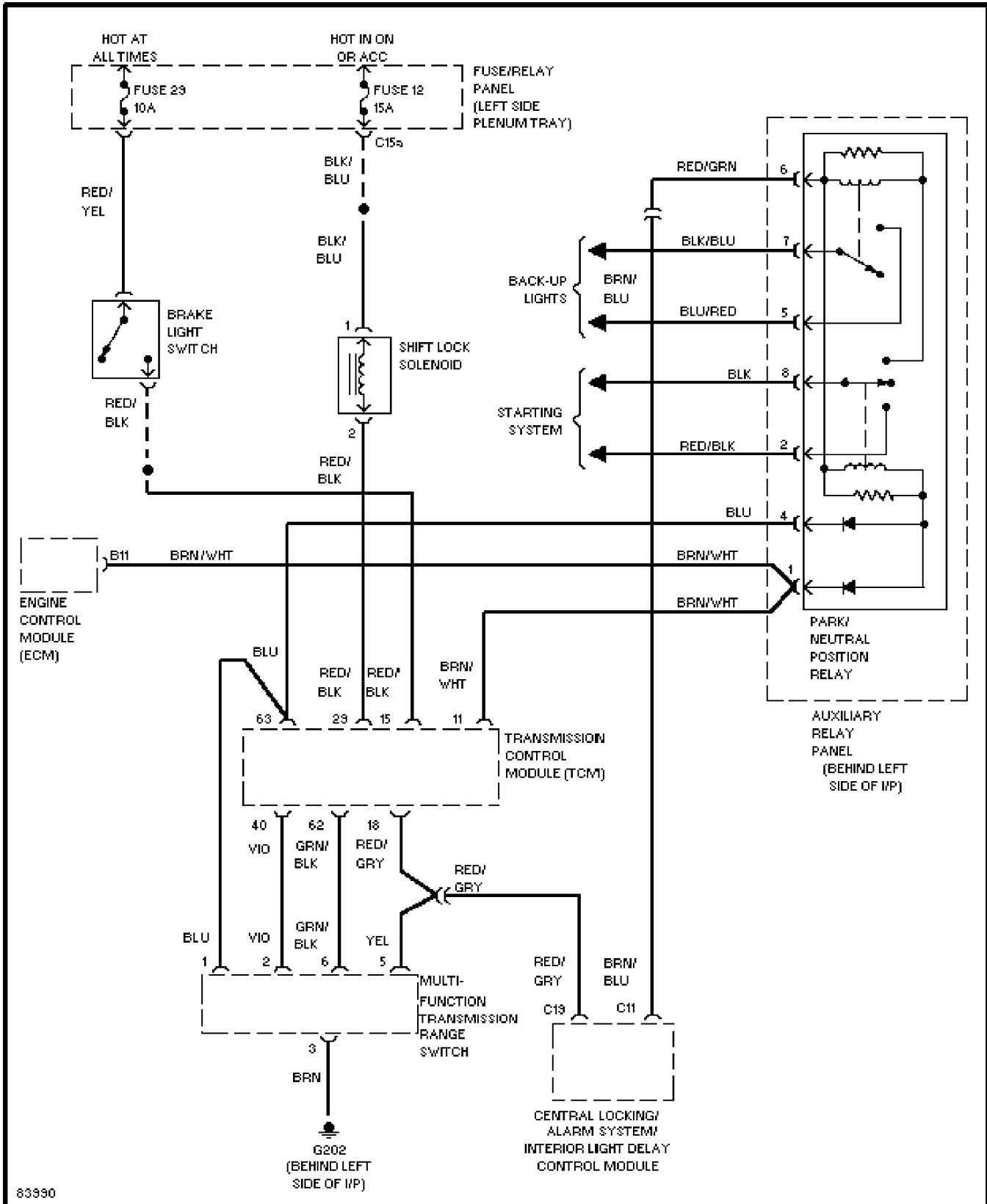
Shift Interlock Circuit

1996 Audi Cabriolet

For DIAKOM-AUTO <http://www.diakom.ru> Taganrog support@diakom.ru (8634)315187

Copyright © 1998 Mitchell Repair Information Company, LLC

Thursday, November 02, 2000 10:59AM



SYSTEM WIRING DIAGRAMS

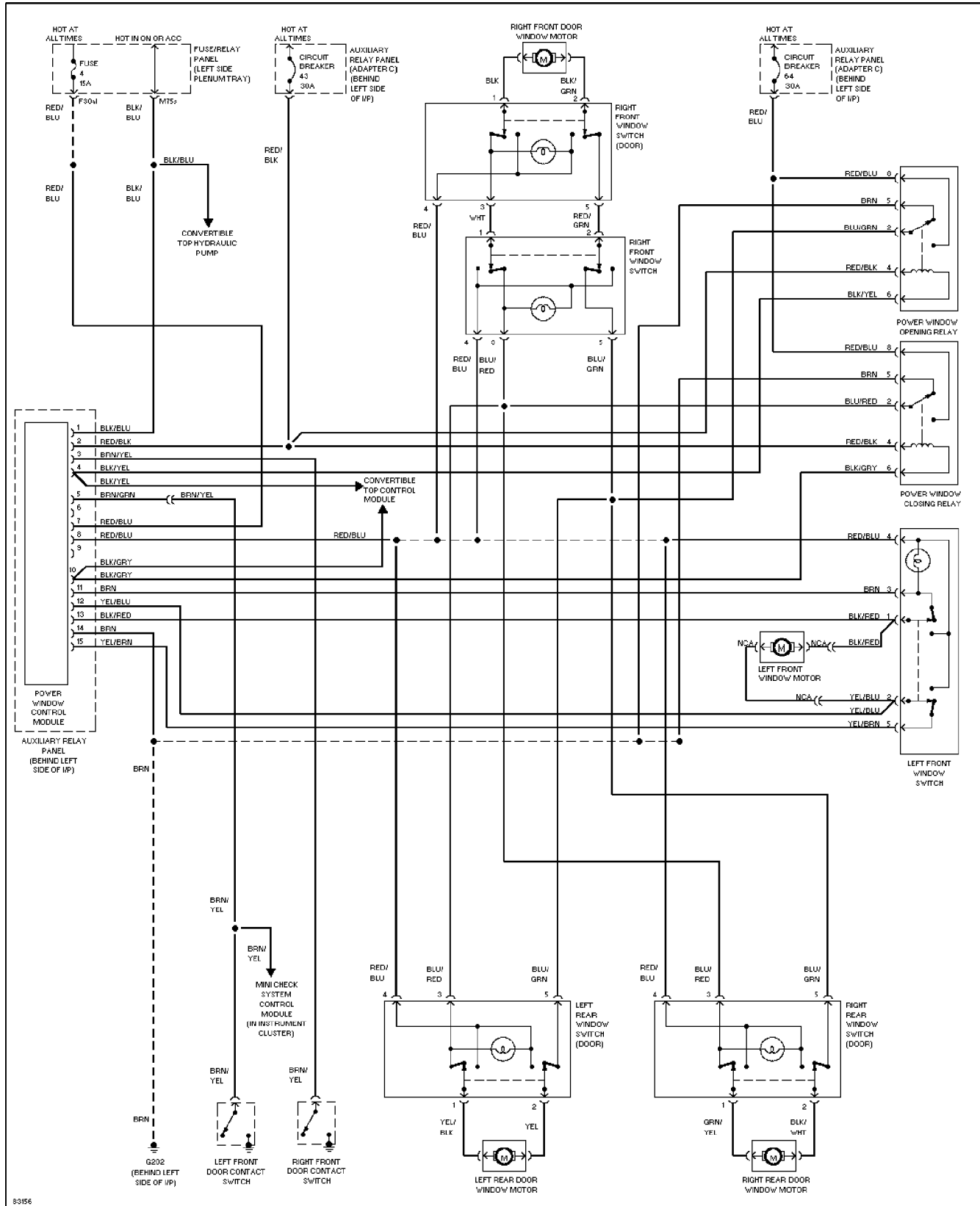
Power Window Circuit

1996 Audi Cabriolet

For DIAKOM-AUTO <http://www.diakom.ru> Taganrog support@diakom.ru (8634)315187

Copyright © 1998 Mitchell Repair Information Company, LLC

Thursday, November 02, 2000 10:58AM



SYSTEM WIRING DIAGRAMS

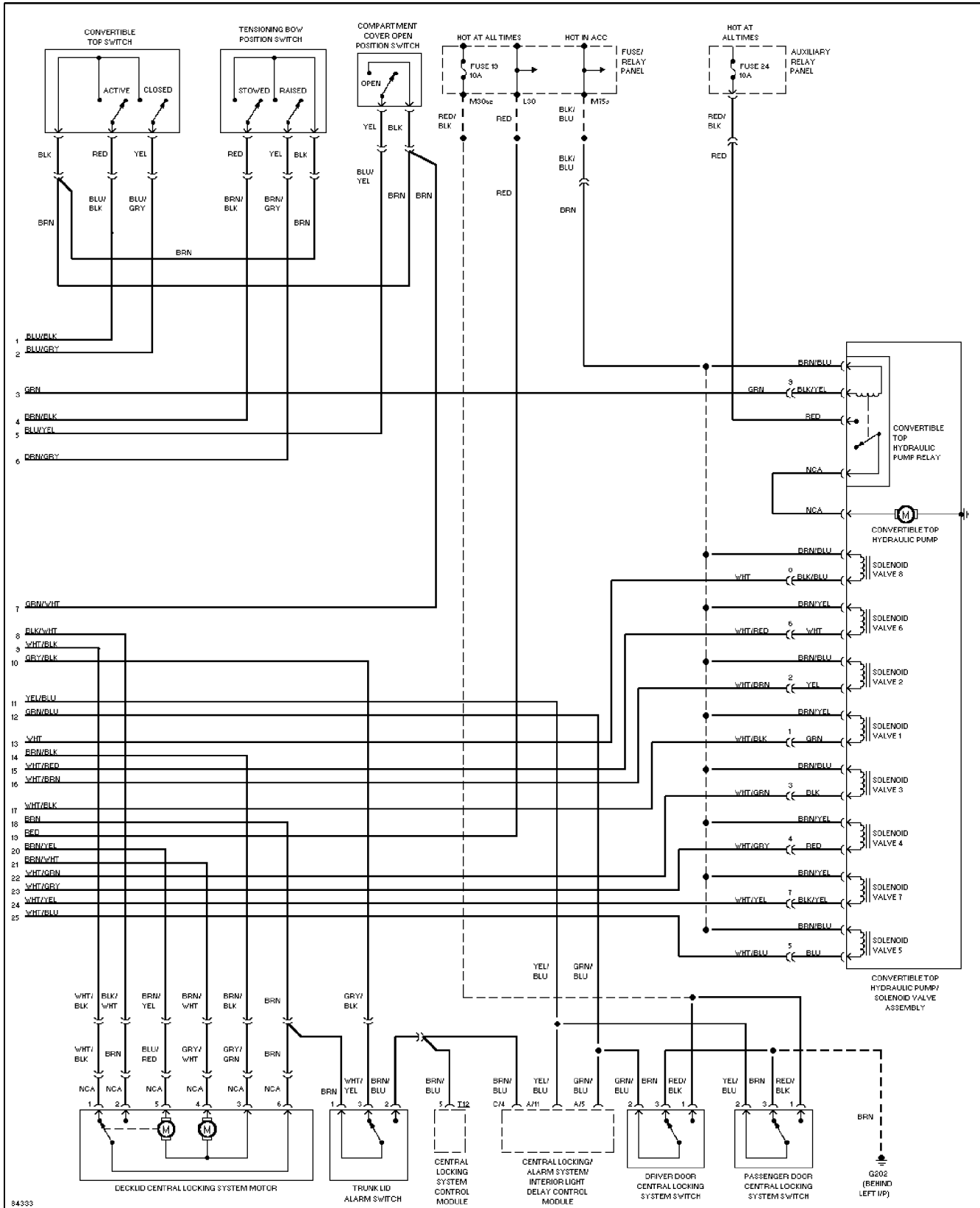
Convertible Top Circuit (2 of 2)

1996 Audi Cabriolet

For DIAKOM-AUTO <http://www.diakom.ru> Taganrog support@diakom.ru (8634)315187

Copyright © 1998 Mitchell Repair Information Company, LLC

Thursday, November 02, 2000 10:58AM

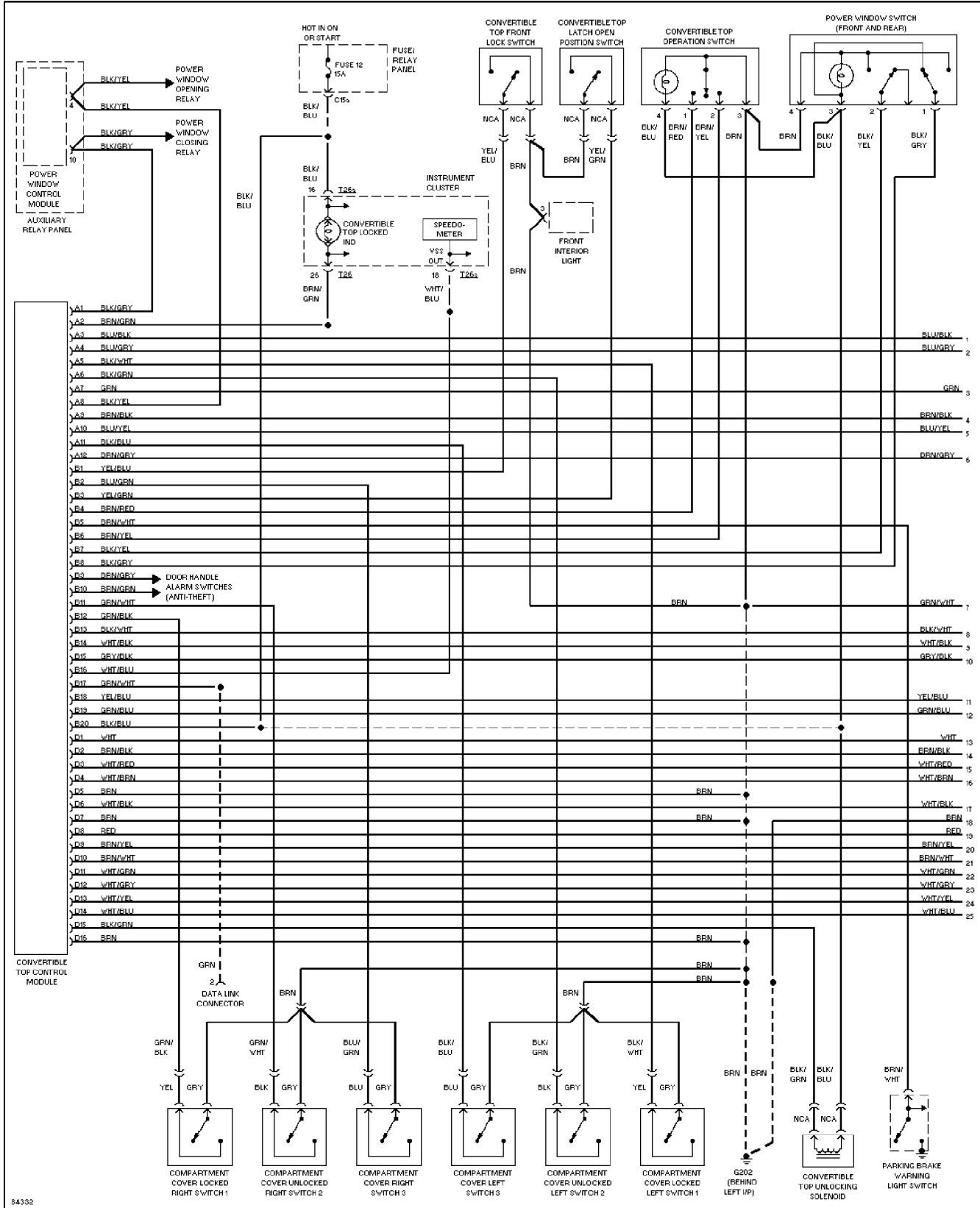


SYSTEM WIRING DIAGRAMS

Convertible Top Circuit (1 of 2)

1996 Audi Cabriolet

For DIAKOM-AUTO <http://www.diakom.ru> Taganrog support@diakom.ru (8634)315187
 Copyright © 1998 Mitchell Repair Information Company, LLC
 Thursday, November 02, 2000 10:56AM



SYSTEM WIRING DIAGRAMS

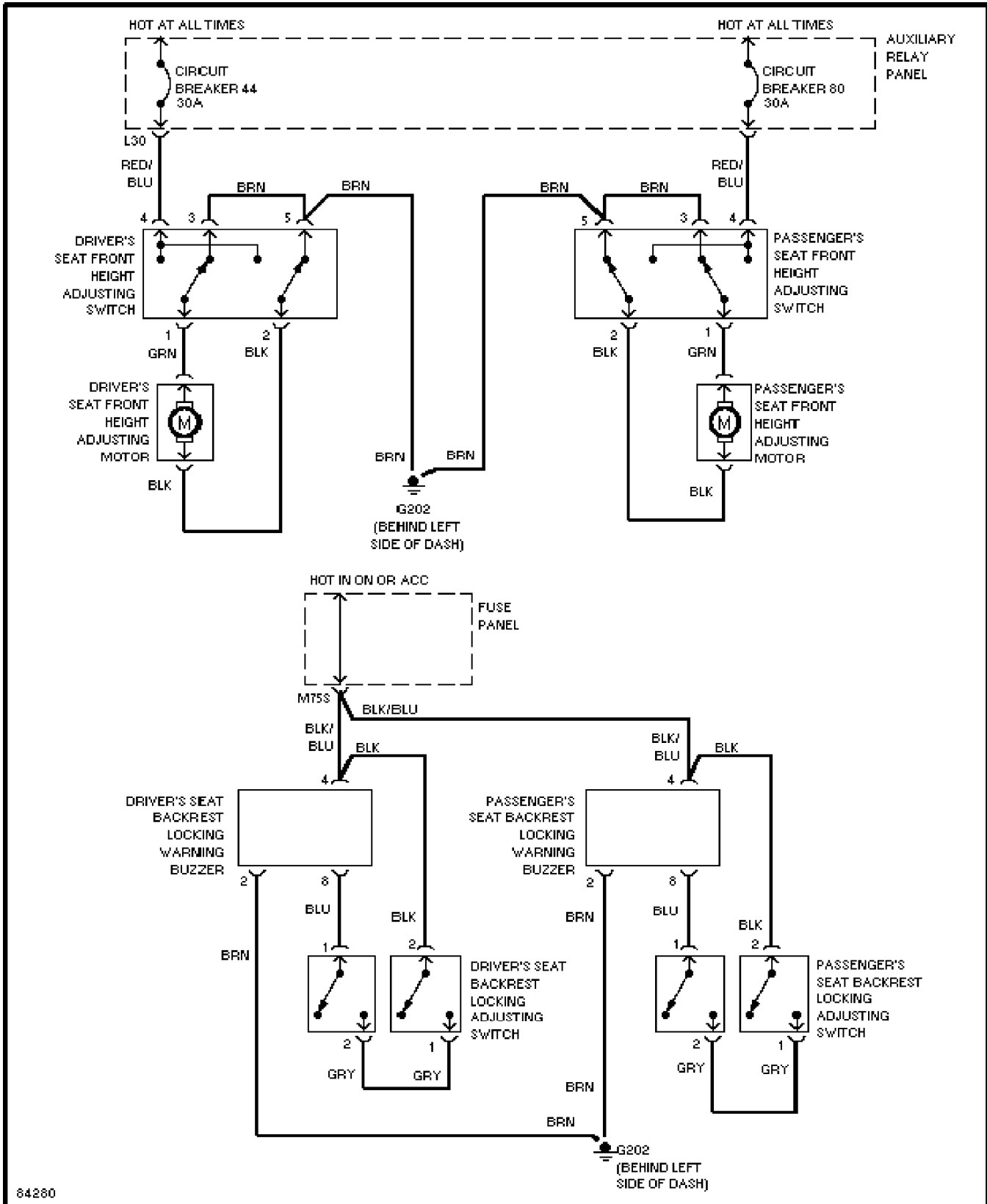
Power Seats Circuit

1996 Audi Cabriolet

For DIAKOM-AUTO <http://www.diakom.ru> Taganrog support@diakom.ru (8634)315187

Copyright © 1998 Mitchell Repair Information Company, LLC

Thursday, November 02, 2000 10:56AM



SYSTEM WIRING DIAGRAMS

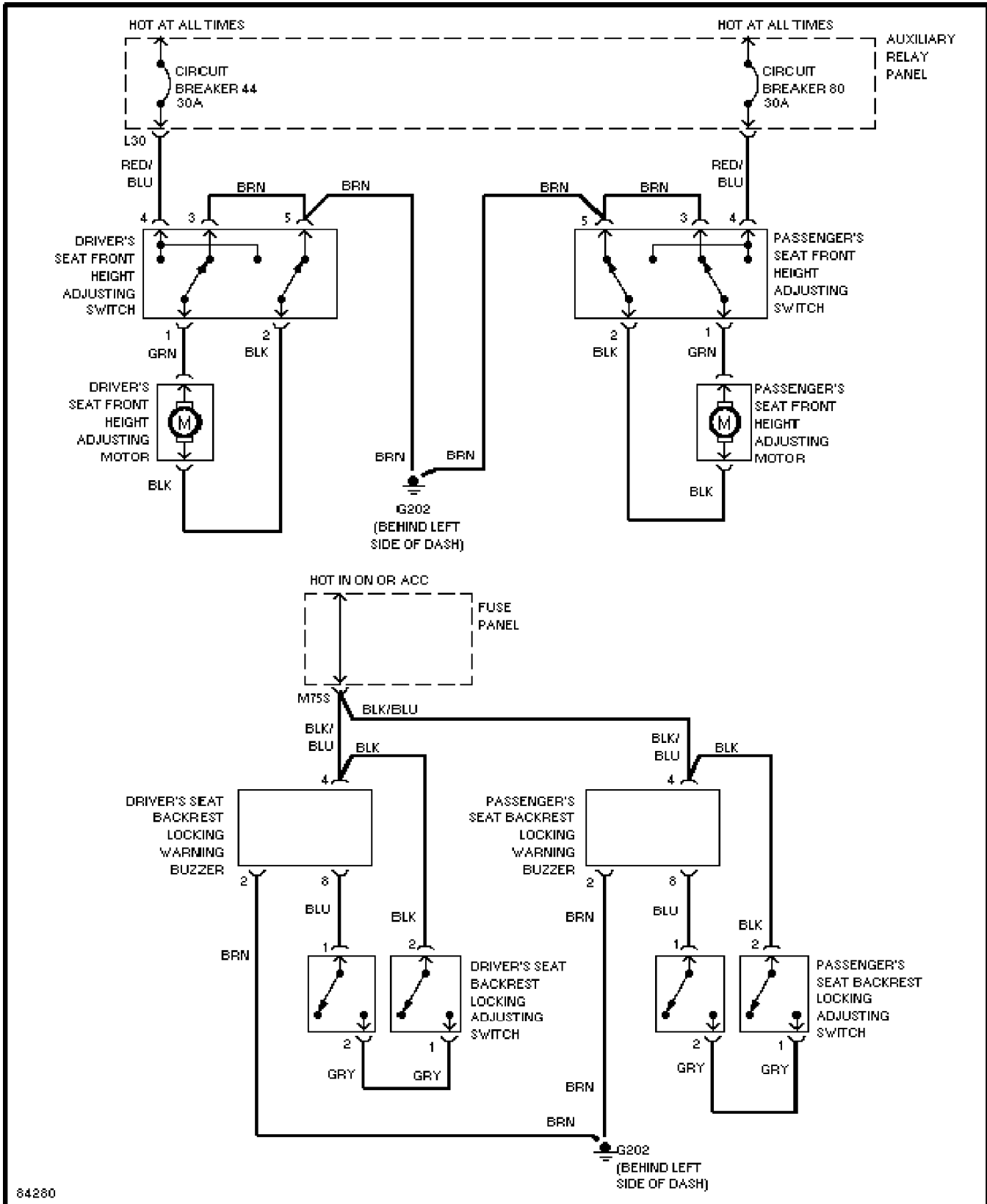
Power Seat Circuits

1996 Audi Cabriolet

For DIAKOM-AUTO <http://www.diakom.ru> Taganrog support@diakom.ru (8634)315187

Copyright © 1998 Mitchell Repair Information Company, LLC

Thursday, November 02, 2000 10:56AM



SYSTEM WIRING DIAGRAMS

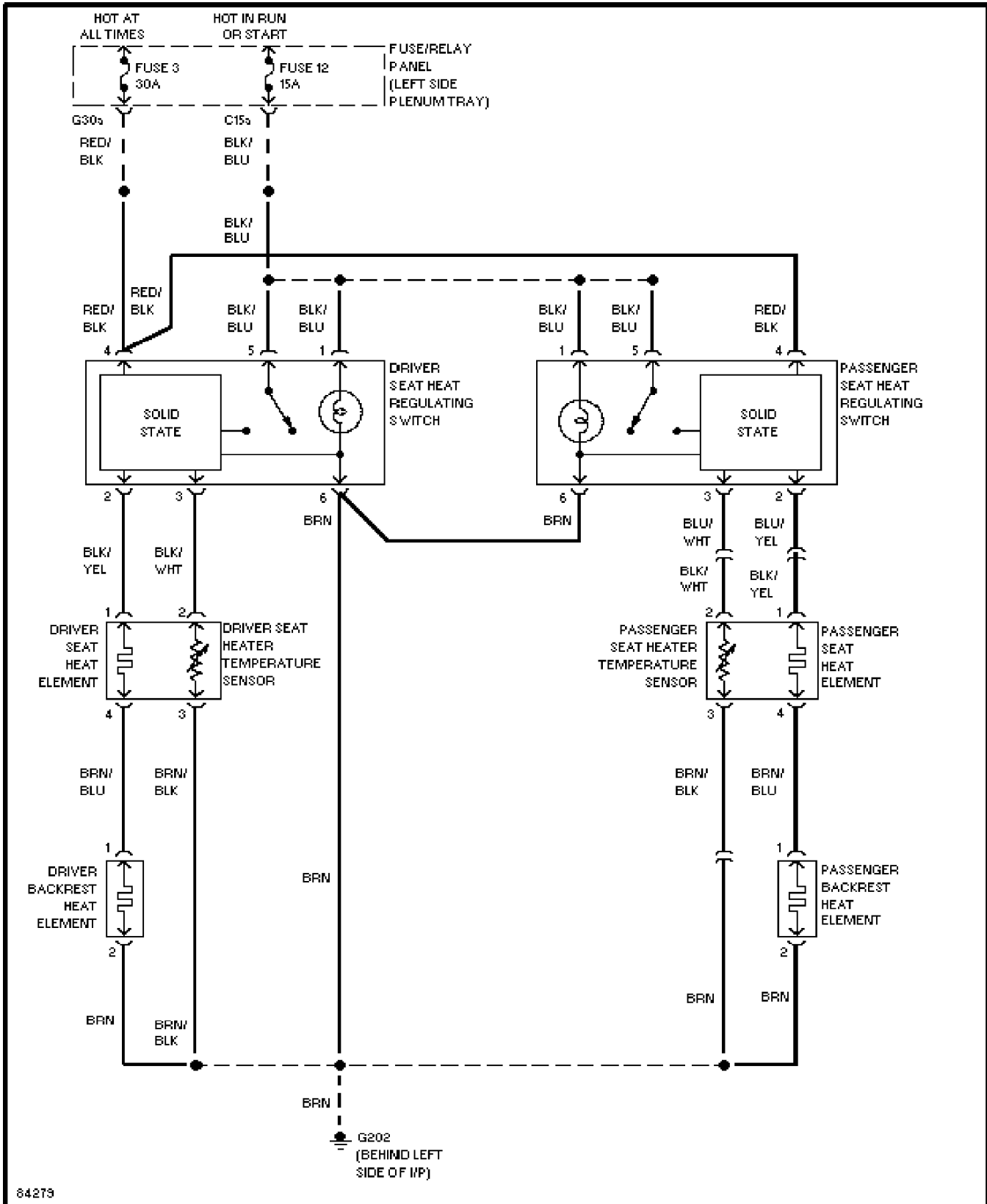
Heated Seats Circuit

1996 Audi Cabriolet

For DIAKOM-AUTO <http://www.diakom.ru> Taganrog support@diakom.ru (8634)315187

Copyright © 1998 Mitchell Repair Information Company, LLC

Thursday, November 02, 2000 10:56AM



SYSTEM WIRING DIAGRAMS

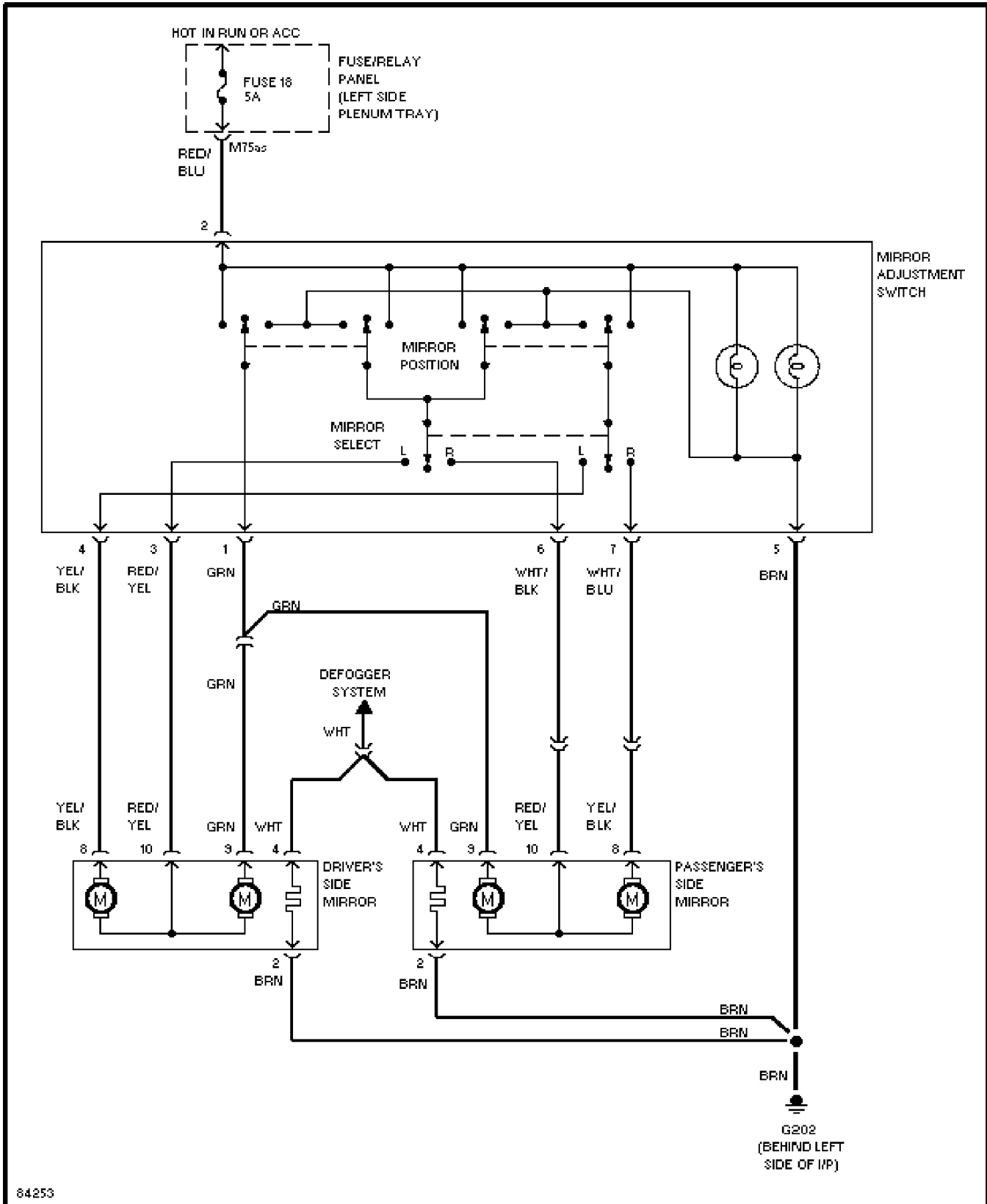
Power Mirror Circuit

1996 Audi Cabriolet

For DIAKOM-AUTO <http://www.diakom.ru> Taganrog support@diakom.ru (8634)315187

Copyright © 1998 Mitchell Repair Information Company, LLC

Thursday, November 02, 2000 10:56AM



SYSTEM WIRING DIAGRAMS

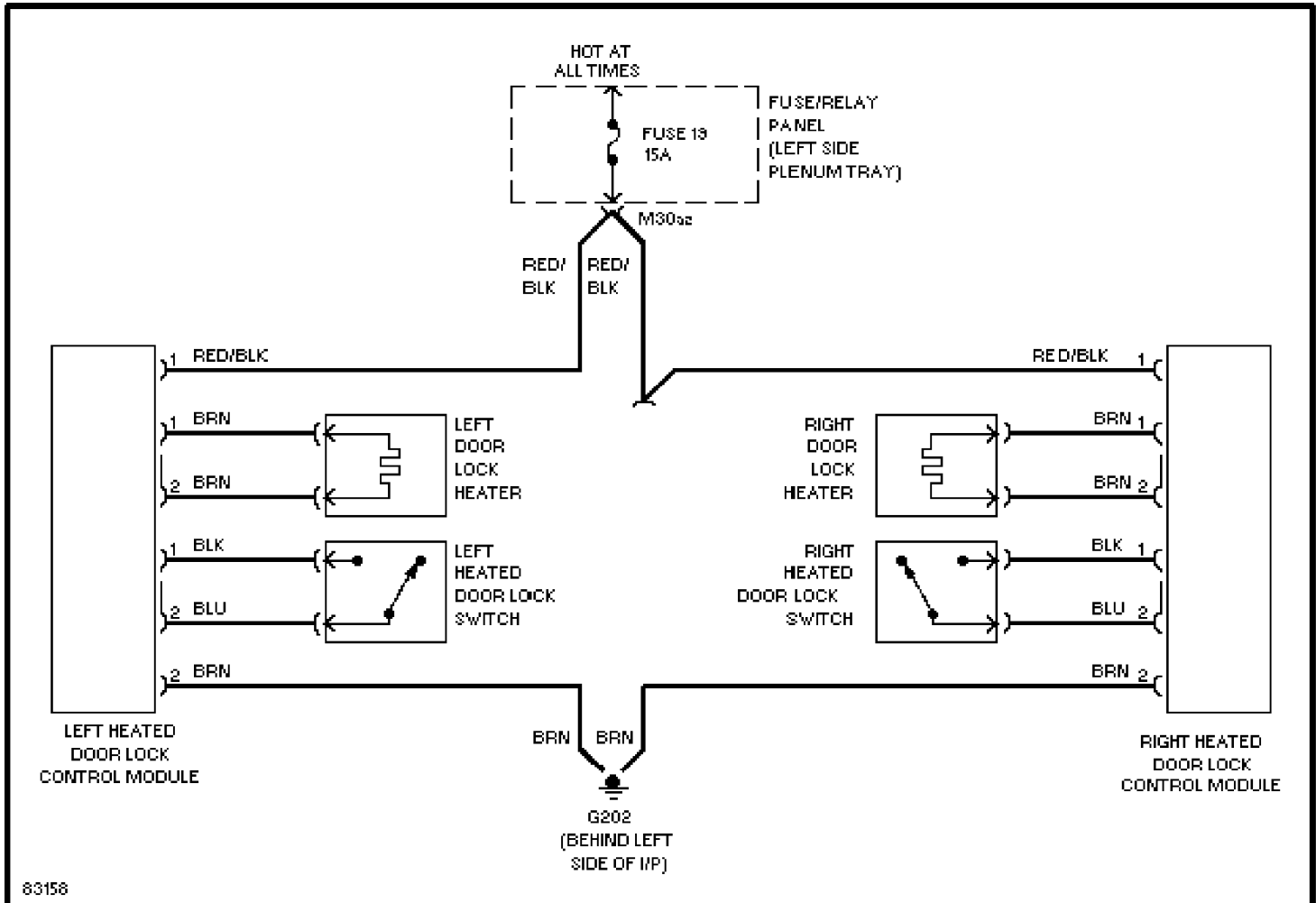
Heated Door Locks Circuit

1996 Audi Cabriolet

For DIAKOM-AUTO <http://www.diakom.ru> Taganrog support@diakom.ru (8634)315187

Copyright © 1998 Mitchell Repair Information Company, LLC

Thursday, November 02, 2000 10:55AM



SYSTEM WIRING DIAGRAMS

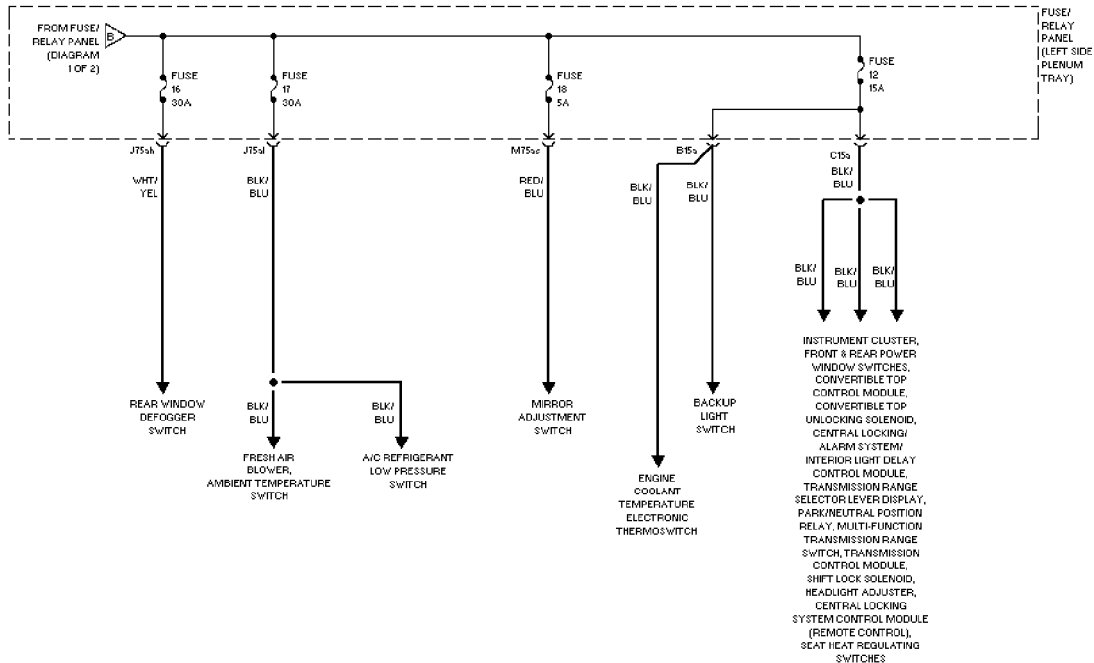
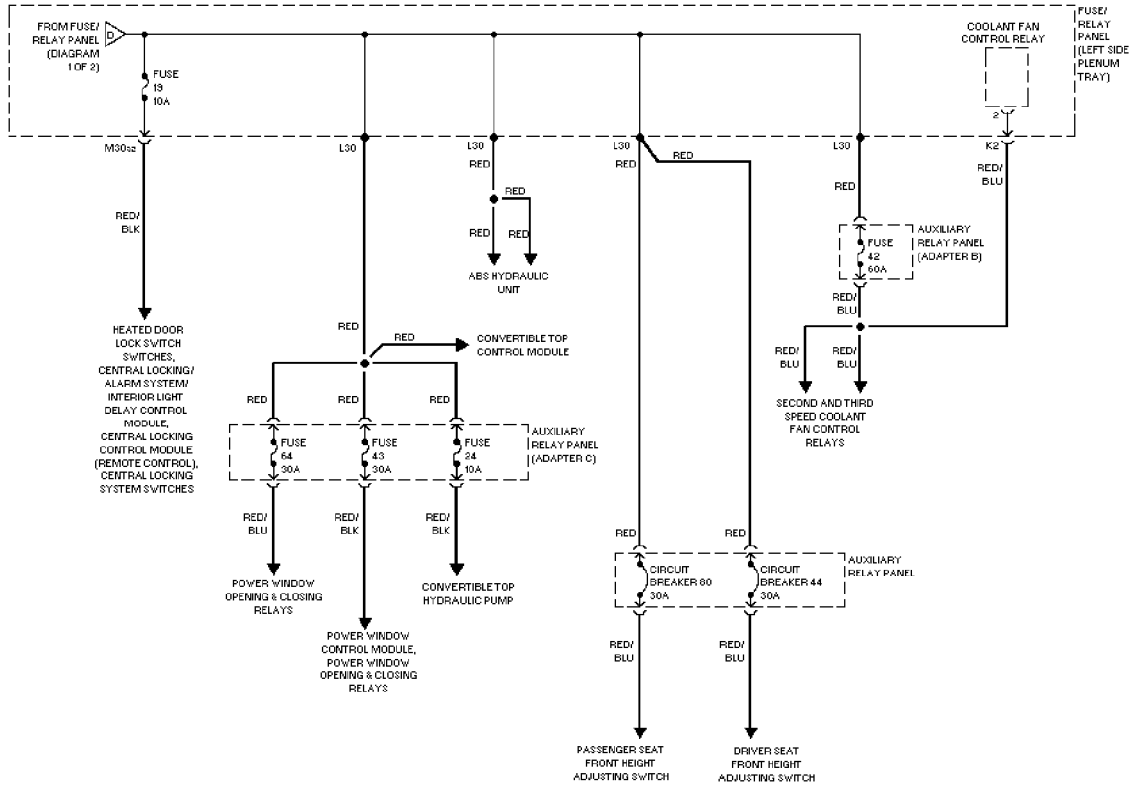
Power Distribution Circuit (2 of 2)

1996 Audi Cabriolet

For DIAKOM-AUTO <http://www.diakom.ru> Taganrog support@diakom.ru (8634)315187

Copyright © 1998 Mitchell Repair Information Company, LLC

Thursday, November 02, 2000 10:55AM



SYSTEM WIRING DIAGRAMS

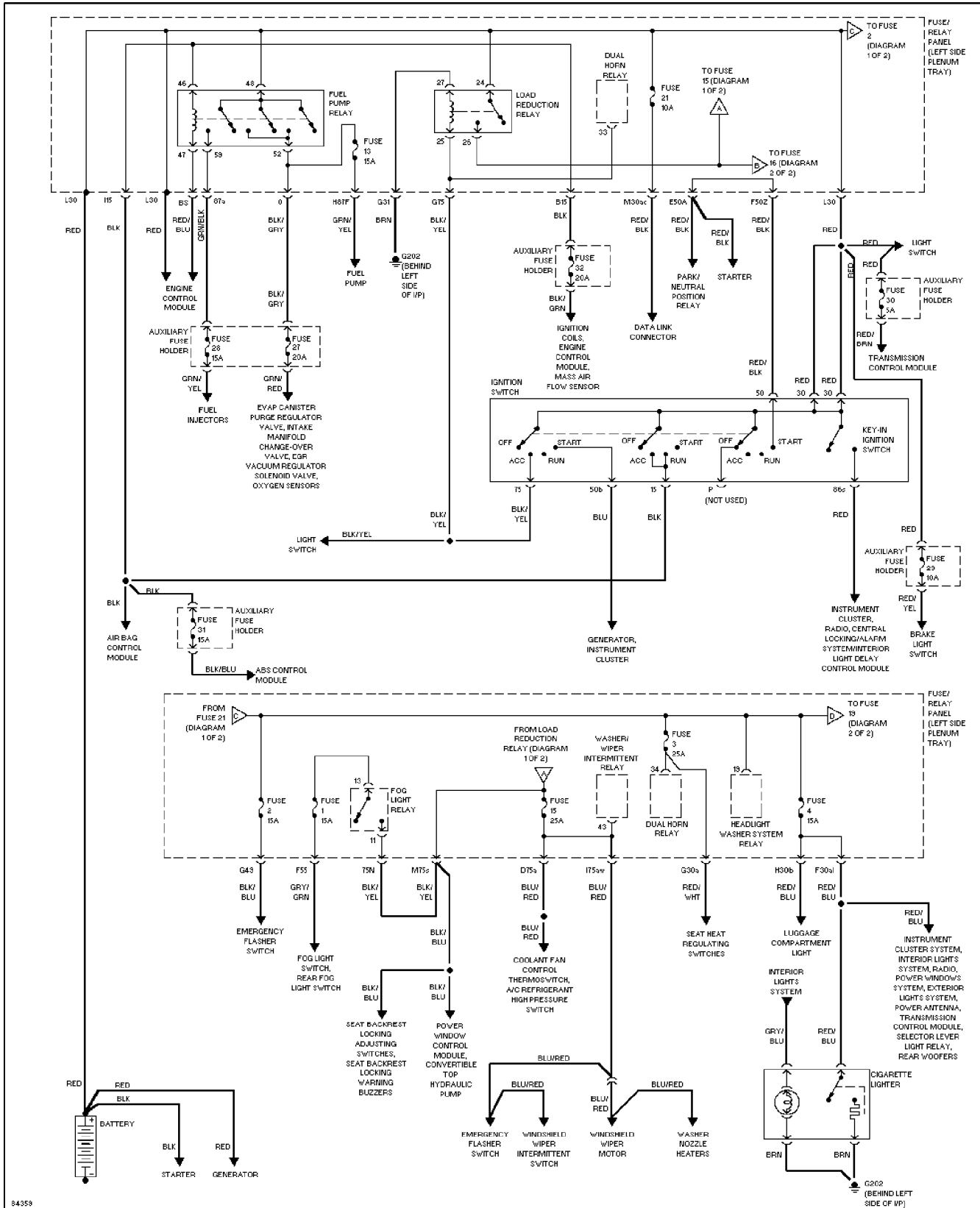
Power Distribution Circuit (1 of 2)

1996 Audi Cabriolet

For DIAKOM-AUTO <http://www.diakom.ru> Taganrog support@diakom.ru (8634)315187

Copyright © 1998 Mitchell Repair Information Company, LLC

Thursday, November 02, 2000 10:55AM



SYSTEM WIRING DIAGRAMS

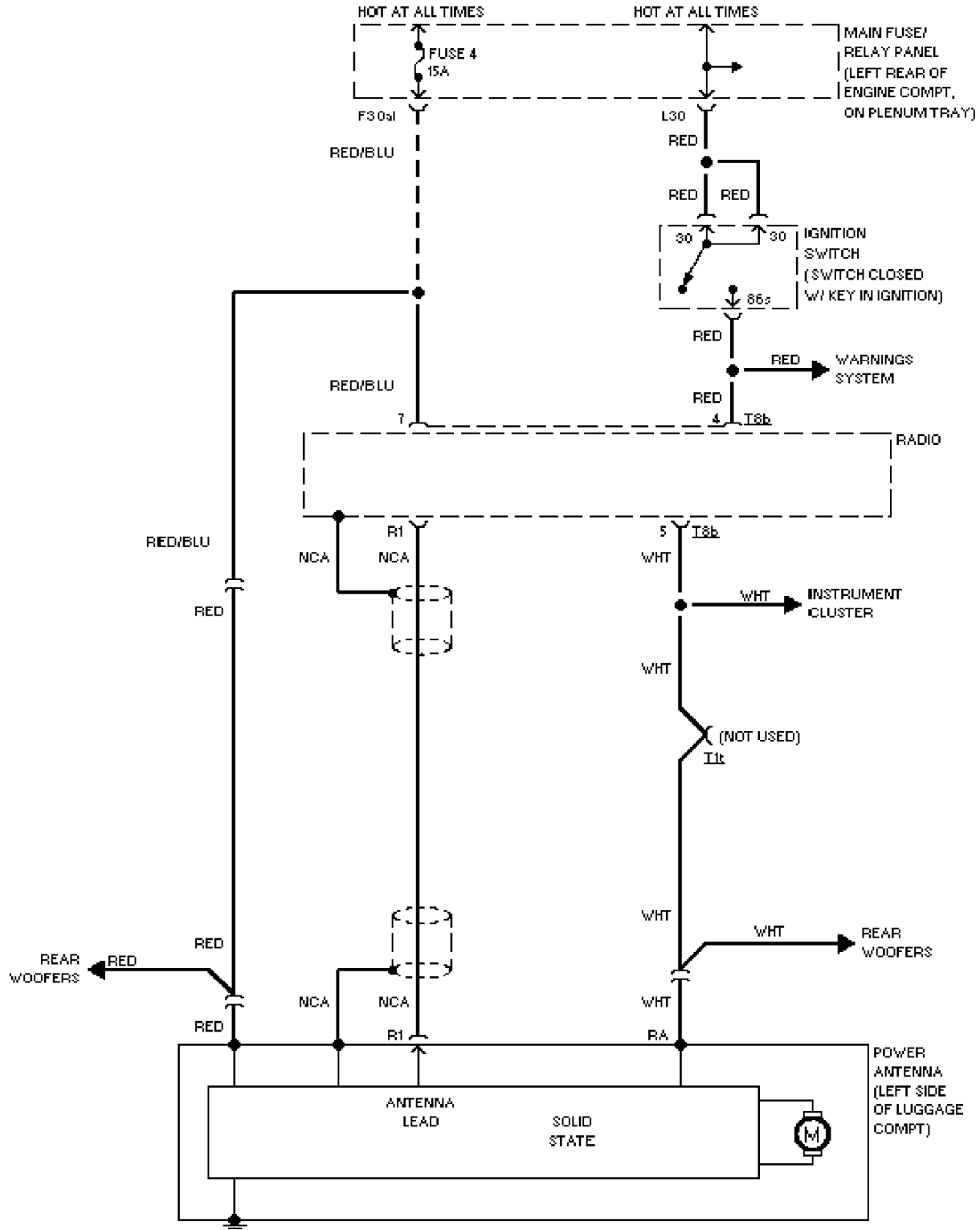
Power Antenna Circuit

1996 Audi Cabriolet

For DIAKOM-AUTO <http://www.diakom.ru> Taganrog support@diakom.ru (8634)315187

Copyright © 1998 Mitchell Repair Information Company, LLC

Thursday, November 02, 2000 10:55AM



SYSTEM WIRING DIAGRAMS

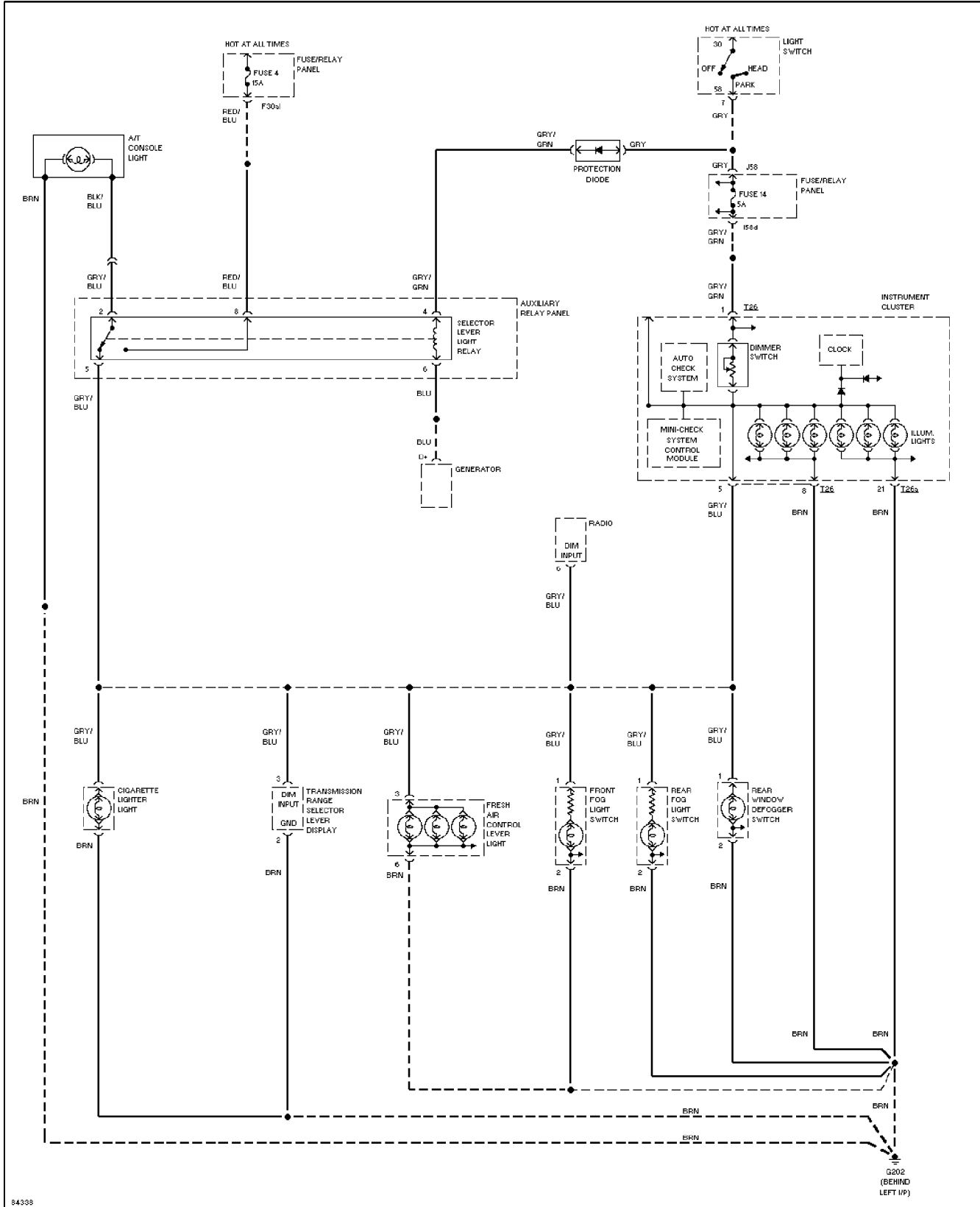
Instrument Illumination Circuit

1996 Audi Cabriolet

For DIAKOM-AUTO <http://www.diakom.ru> Taganrog support@diakom.ru (8634)315187

Copyright © 1998 Mitchell Repair Information Company, LLC

Thursday, November 02, 2000 10:55AM



SYSTEM WIRING DIAGRAMS

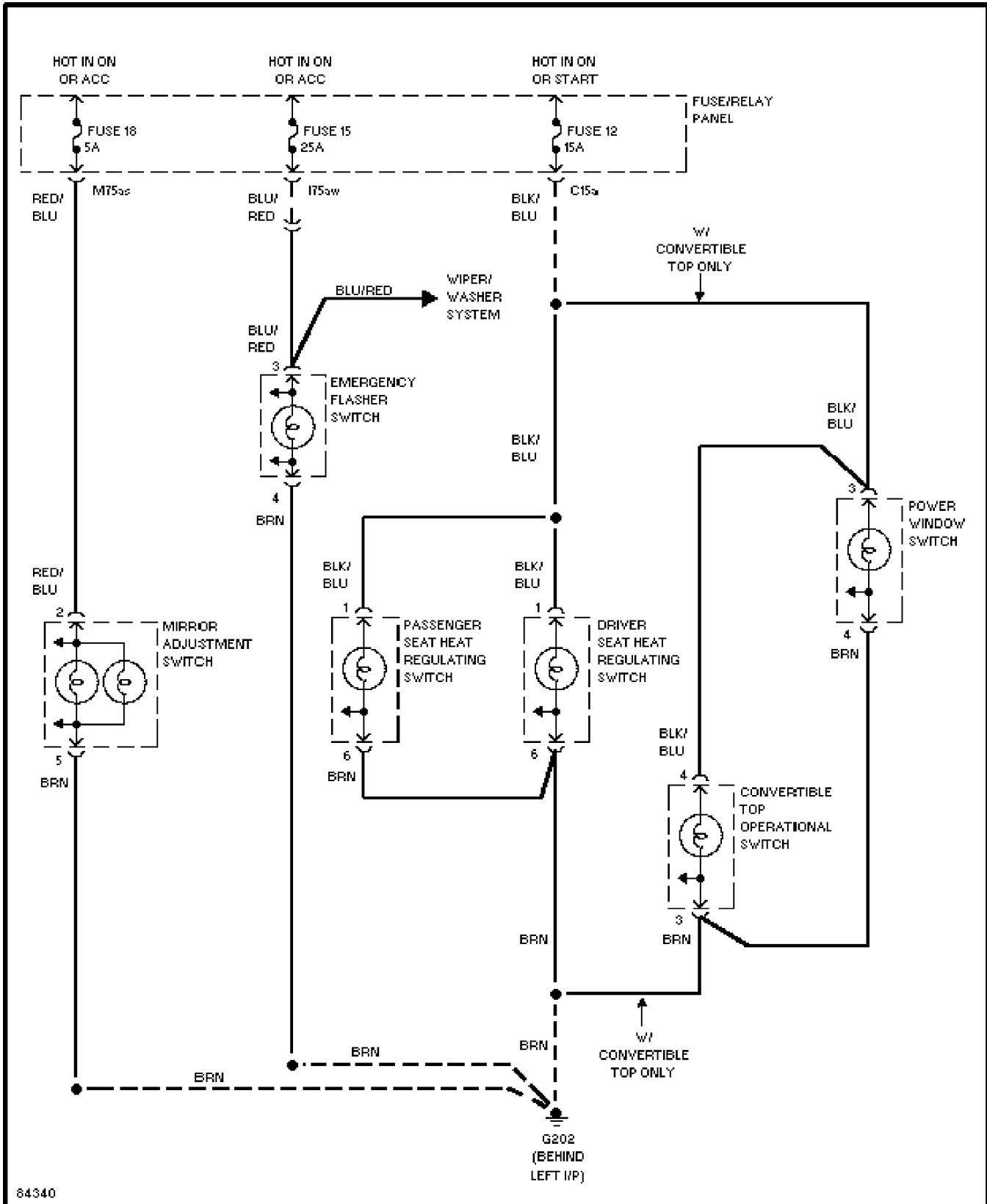
Courtesy Lamps Circuit (2 of 2)

1996 Audi Cabriolet

For DIAKOM-AUTO <http://www.diakom.ru> Taganrog support@diakom.ru (8634)315187

Copyright © 1998 Mitchell Repair Information Company, LLC

Thursday, November 02, 2000 10:54AM



SYSTEM WIRING DIAGRAMS

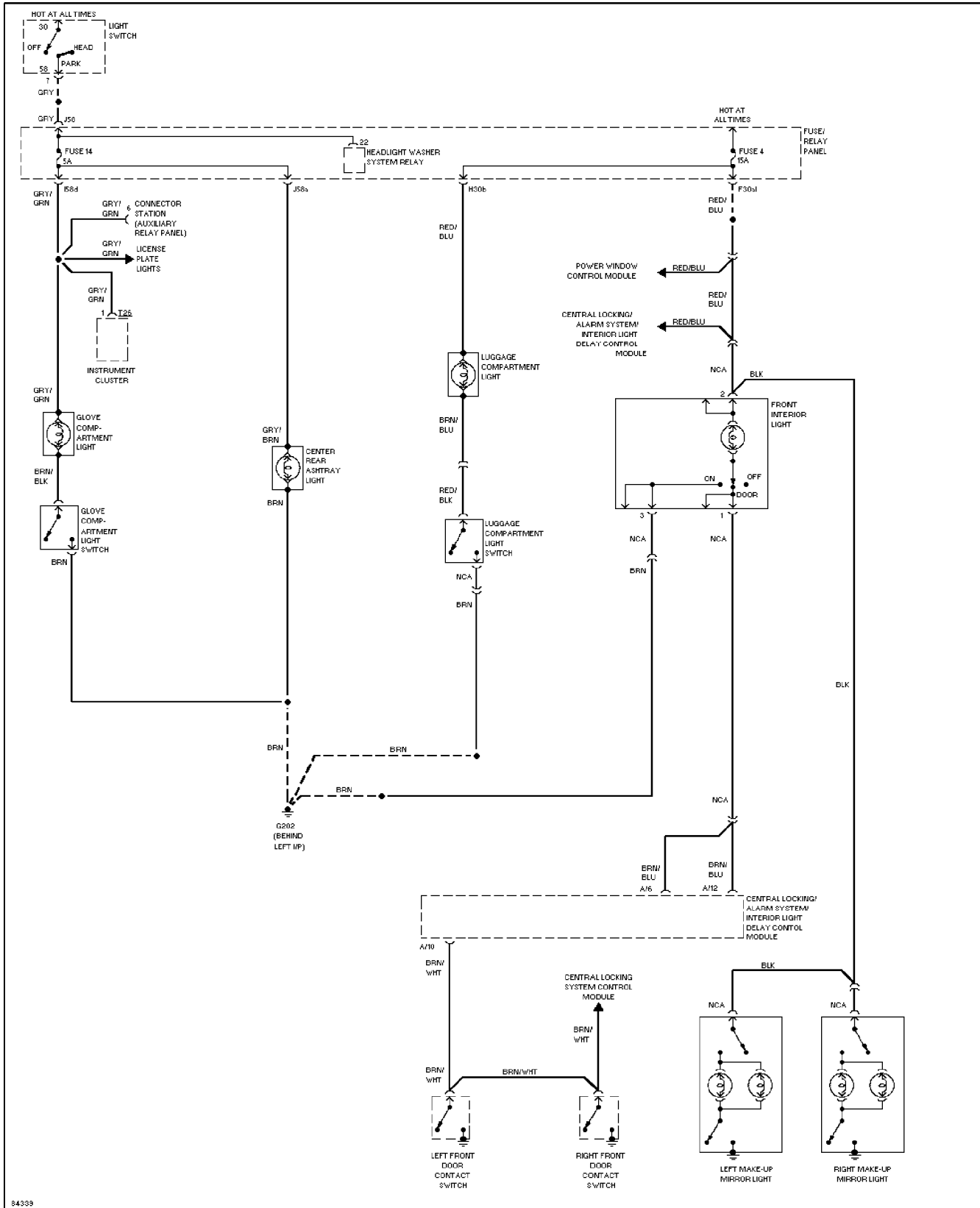
Courtesy Lamps Circuit (1 of 2)

1996 Audi Cabriolet

For DIAKOM-AUTO <http://www.diakom.ru> Taganrog support@diakom.ru (8634)315187

Copyright © 1998 Mitchell Repair Information Company, LLC

Thursday, November 02, 2000 10:54AM



SYSTEM WIRING DIAGRAMS

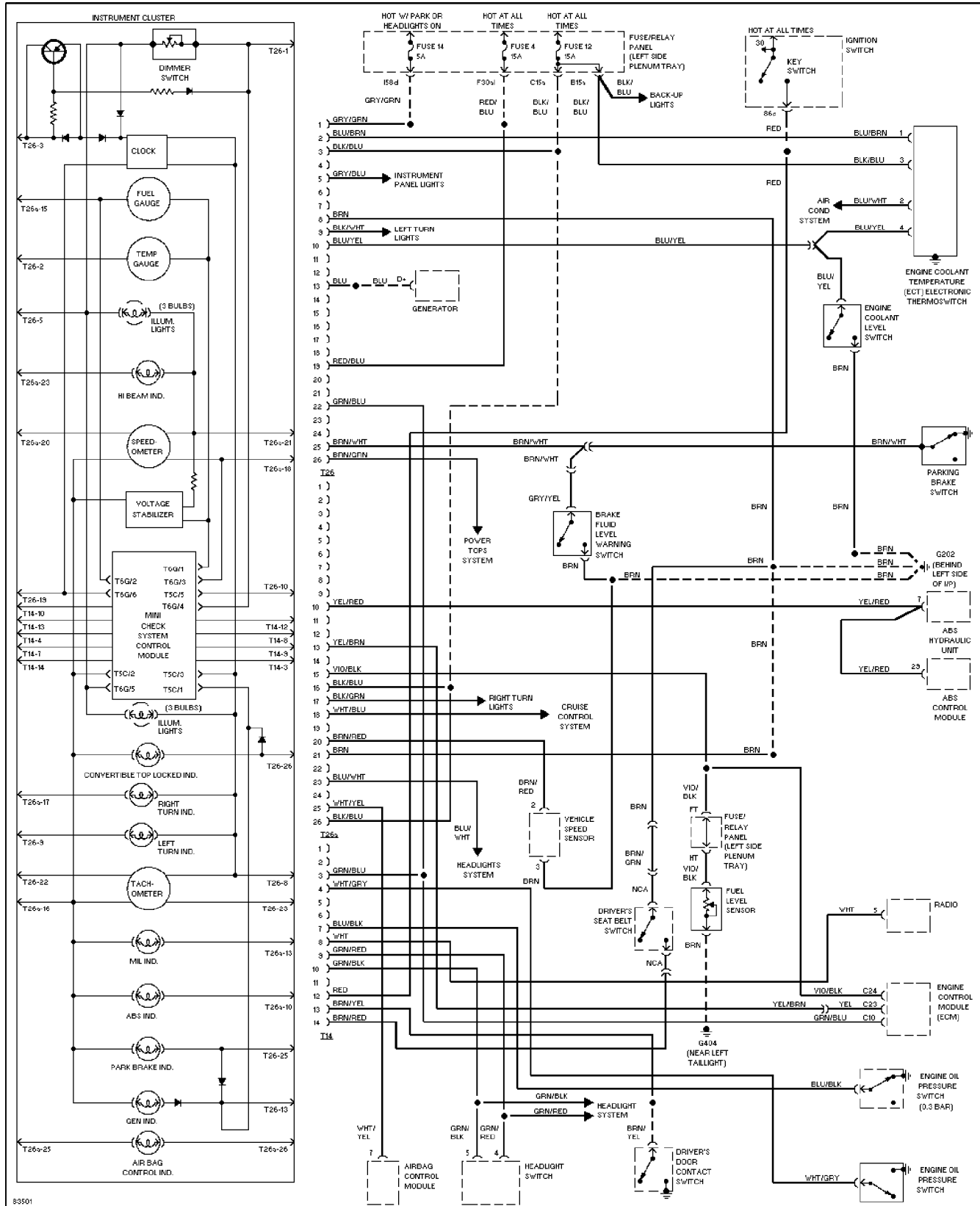
Instrument Cluster Circuit

1996 Audi Cabriolet

For DIAKOM-AUTO <http://www.diakom.ru> Taganrog support@diakom.ru (8634)315187

Copyright © 1998 Mitchell Repair Information Company, LLC

Thursday, November 02, 2000 10:54AM



SYSTEM WIRING DIAGRAMS

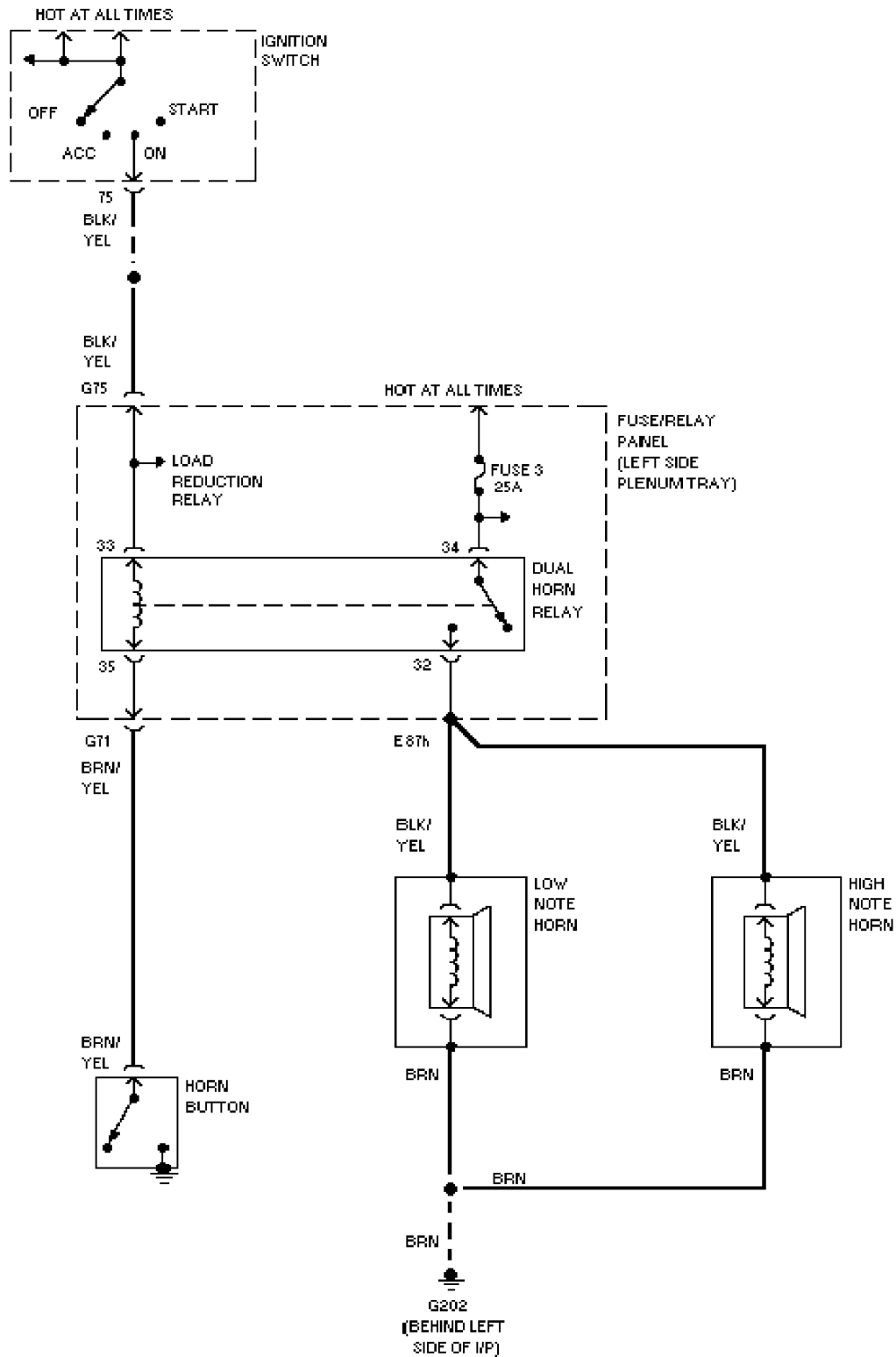
Horn Circuit

1996 Audi Cabriolet

For DIAKOM-AUTO <http://www.diakom.ru> Taganrog support@diakom.ru (8634)315187

Copyright © 1998 Mitchell Repair Information Company, LLC

Thursday, November 02, 2000 10:53AM



SYSTEM WIRING DIAGRAMS

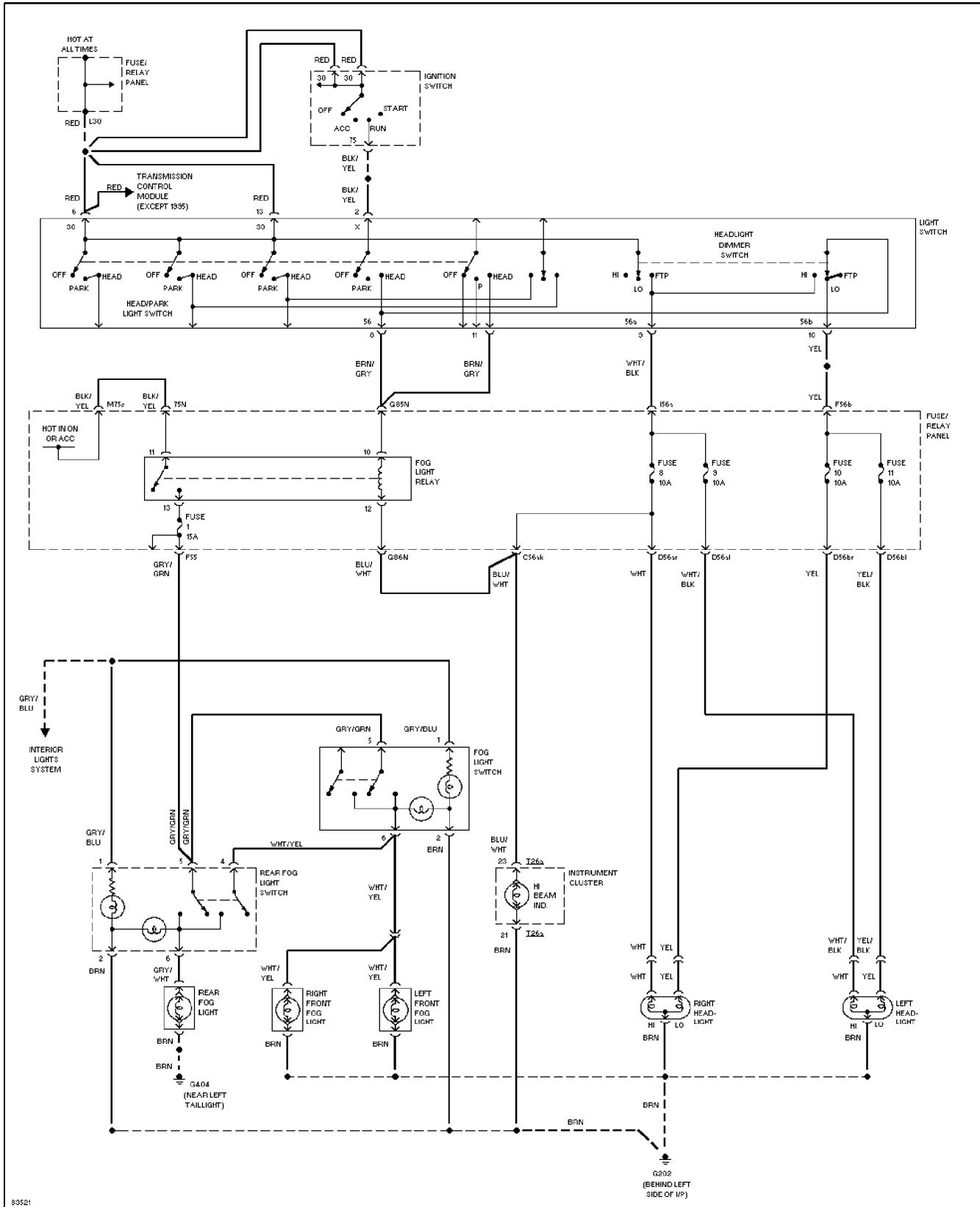
Headlight Circuit

1996 Audi Cabriolet

For DIAKOM-AUTO <http://www.diakom.ru> Taganrog support@diakom.ru (8634)315187

Copyright © 1998 Mitchell Repair Information Company, LLC

Thursday, November 02, 2000 10:53AM

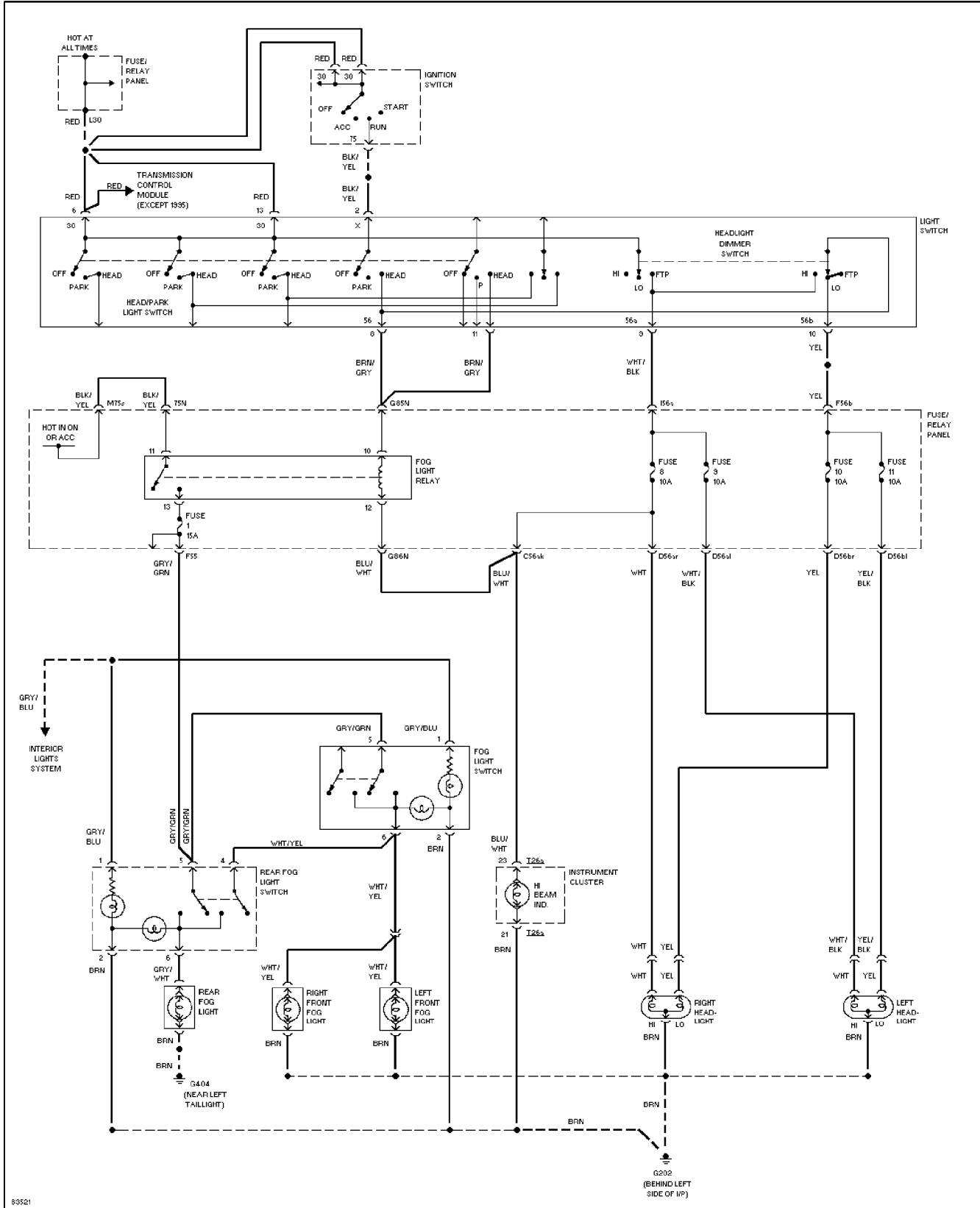


SYSTEM WIRING DIAGRAMS

Headlamps/Fog Lamps Circuit

1996 Audi Cabriolet

For DIAKOM-AUTO <http://www.diakom.ru> Taganrog support@diakom.ru (8634)315187
 Copyright © 1998 Mitchell Repair Information Company, LLC
 Thursday, November 02, 2000 10:53AM



SYSTEM WIRING DIAGRAMS

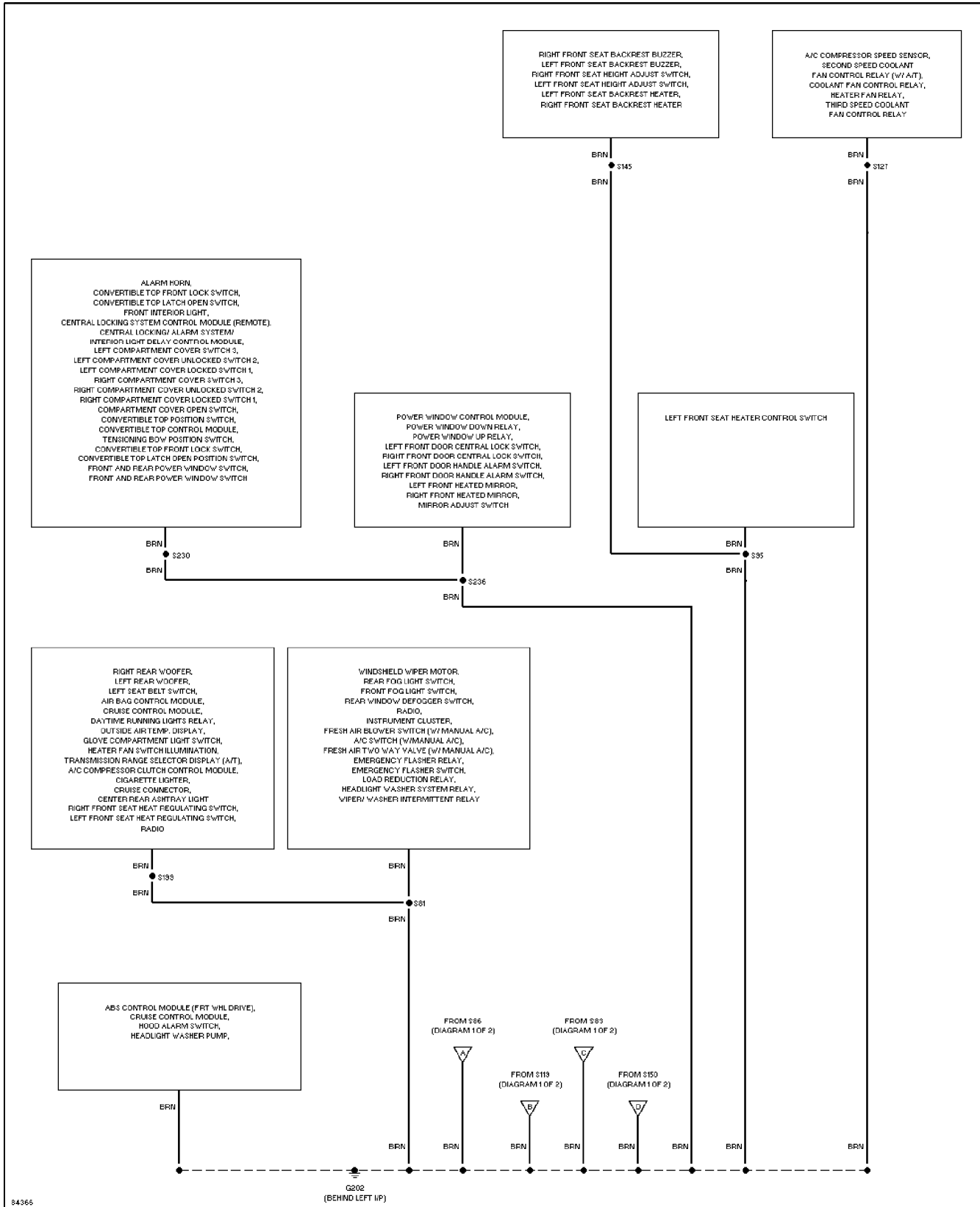
Ground Distribution Circuit (2 of 2)

1996 Audi Cabriolet

For DIAKOM-AUTO <http://www.diakom.ru> Taganrog support@diakom.ru (8634)315187

Copyright © 1998 Mitchell Repair Information Company, LLC

Thursday, November 02, 2000 10:53AM



SYSTEM WIRING DIAGRAMS

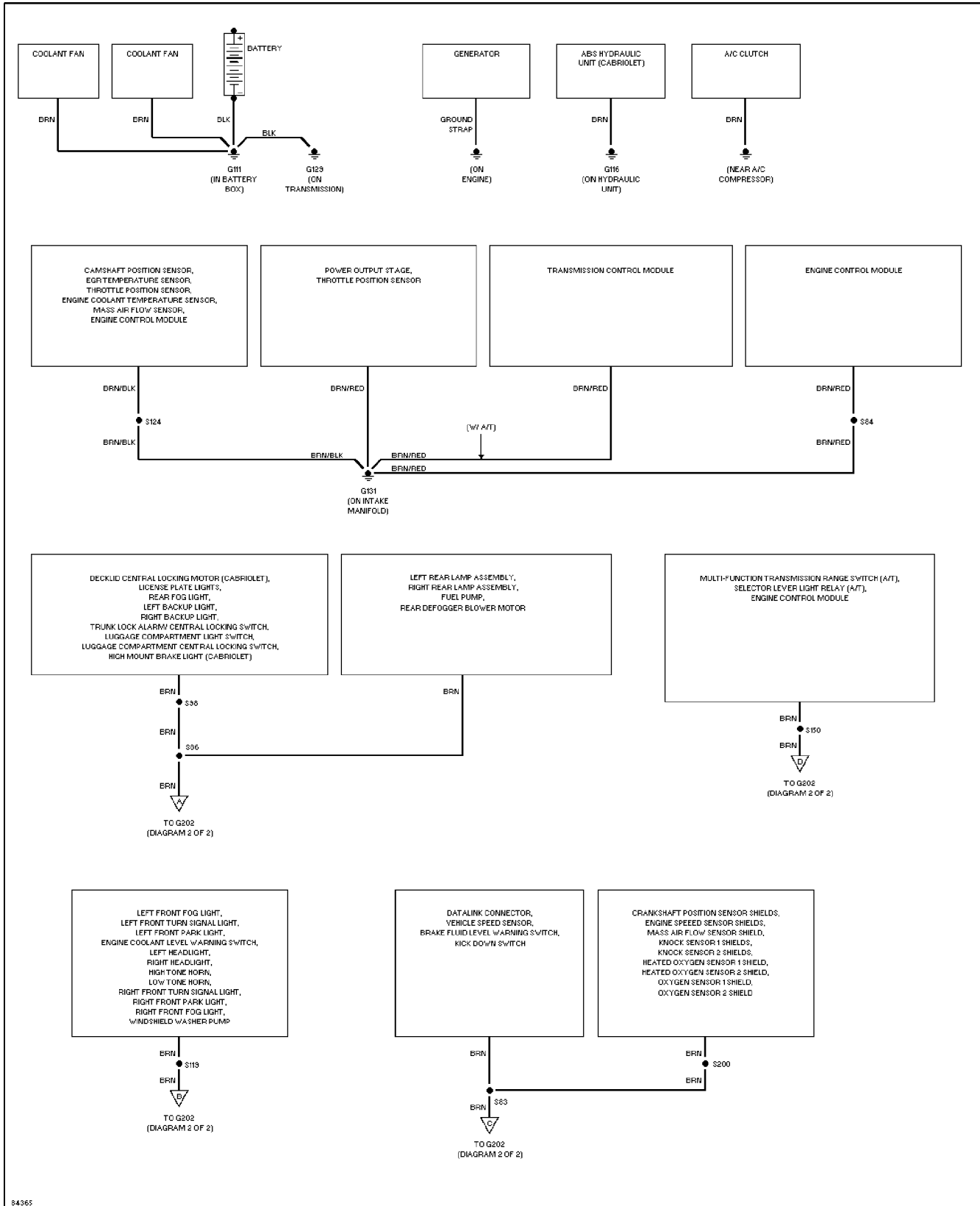
Ground Distribution Circuit (1 of 2)

1996 Audi Cabriolet

For DIAKOM-AUTO <http://www.diakom.ru> Taganrog support@diakom.ru (8634)315187

Copyright © 1998 Mitchell Repair Information Company, LLC

Thursday, November 02, 2000 10:53AM



SYSTEM WIRING DIAGRAMS

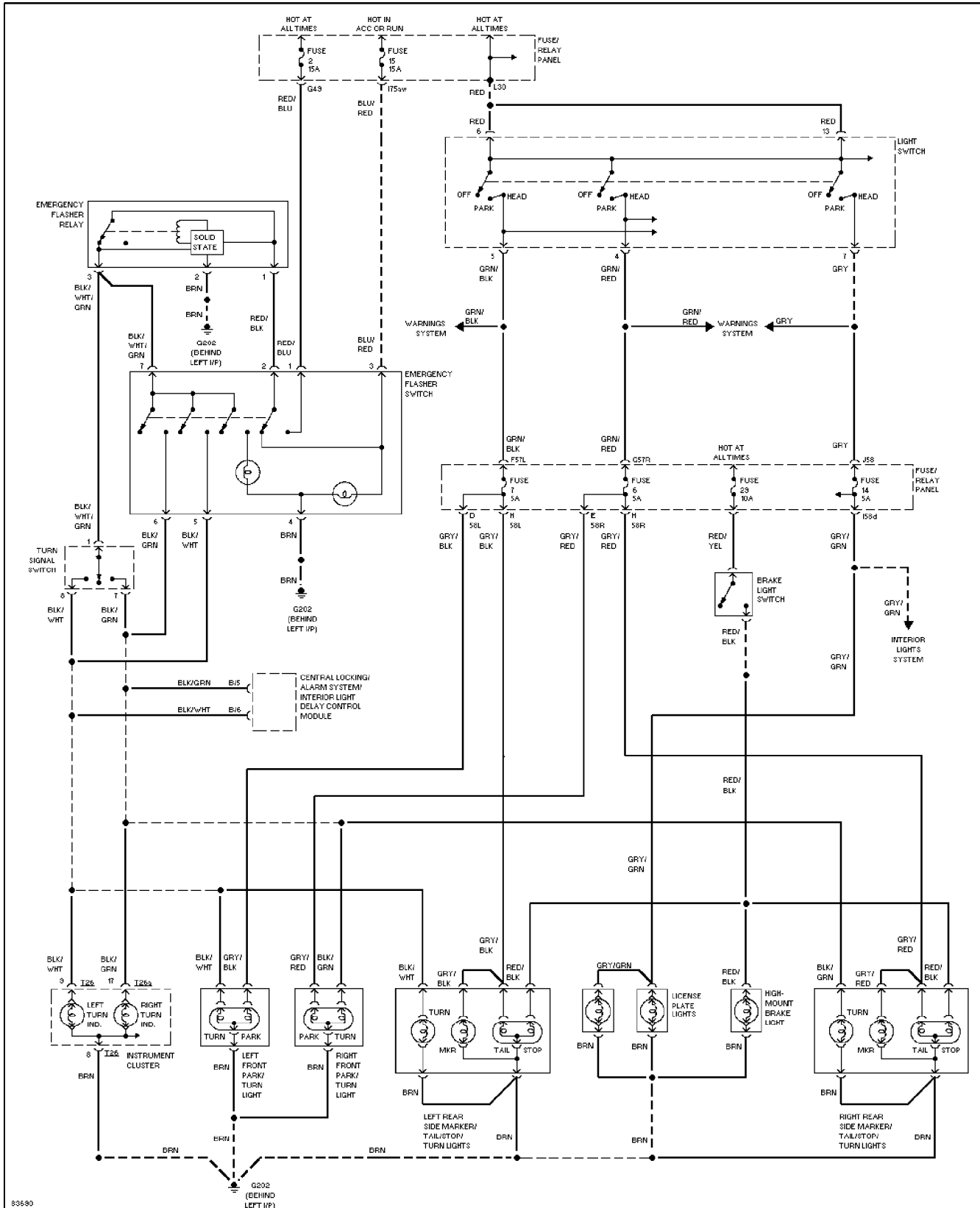
Exterior Lamps Circuit

1996 Audi Cabriolet

For DIAKOM-AUTO <http://www.diakom.ru> Taganrog support@diakom.ru (8634)315187

Copyright © 1998 Mitchell Repair Information Company, LLC

Thursday, November 02, 2000 10:52AM



SYSTEM WIRING DIAGRAMS

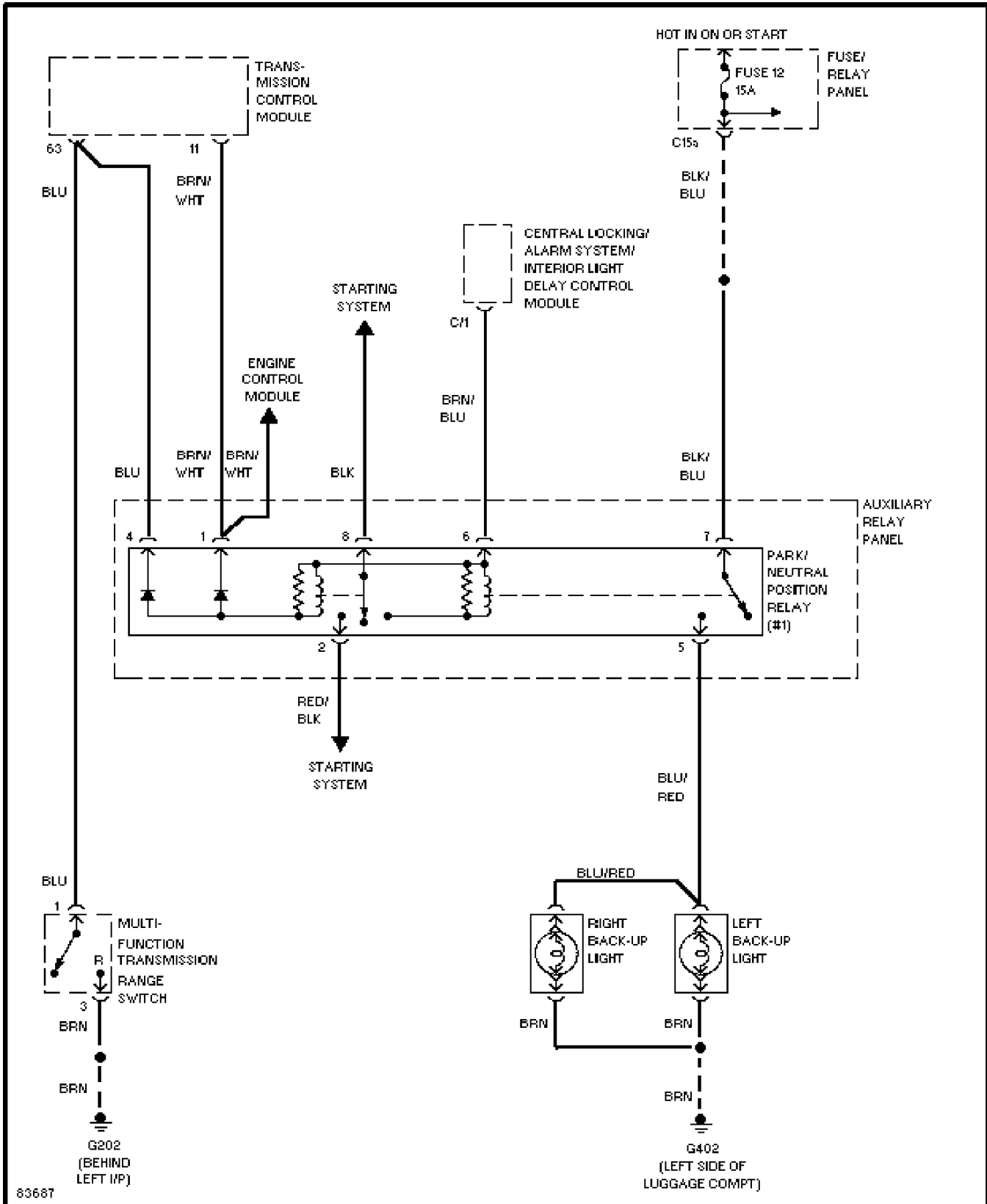
Back-up Lamps Circuit

1996 Audi Cabriolet

For DIAKOM-AUTO <http://www.diakom.ru> Taganrog support@diakom.ru (8634)315187

Copyright © 1998 Mitchell Repair Information Company, LLC

Thursday, November 02, 2000 10:52AM



SYSTEM WIRING DIAGRAMS

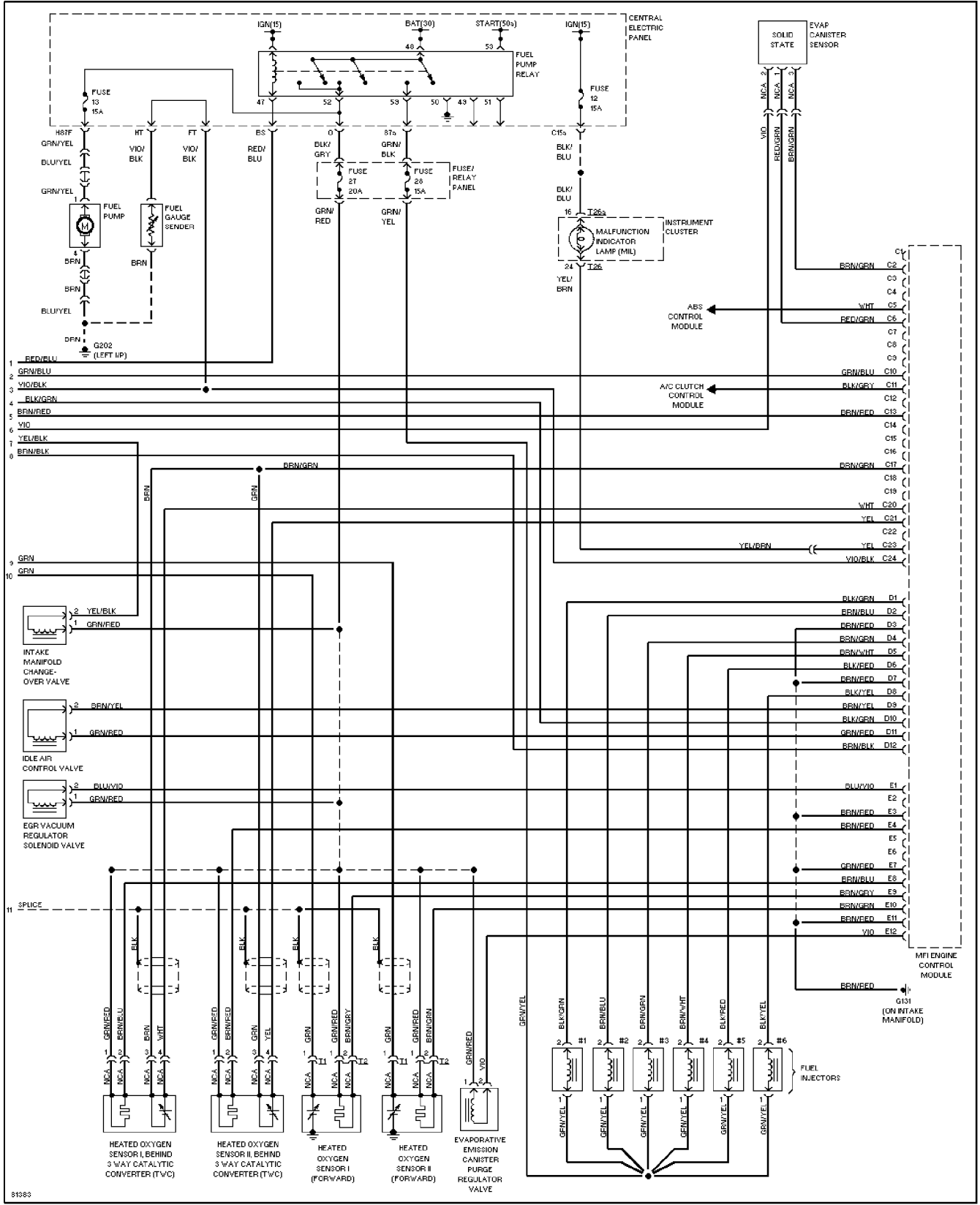
2.8L, Engine Performance Circuits (2 of 2)

1996 Audi Cabriolet

For DIAKOM-AUTO <http://www.diakom.ru> Taganrog support@diakom.ru (8634)315187

Copyright © 1998 Mitchell Repair Information Company, LLC

Thursday, November 02, 2000 10:52AM



SYSTEM WIRING DIAGRAMS

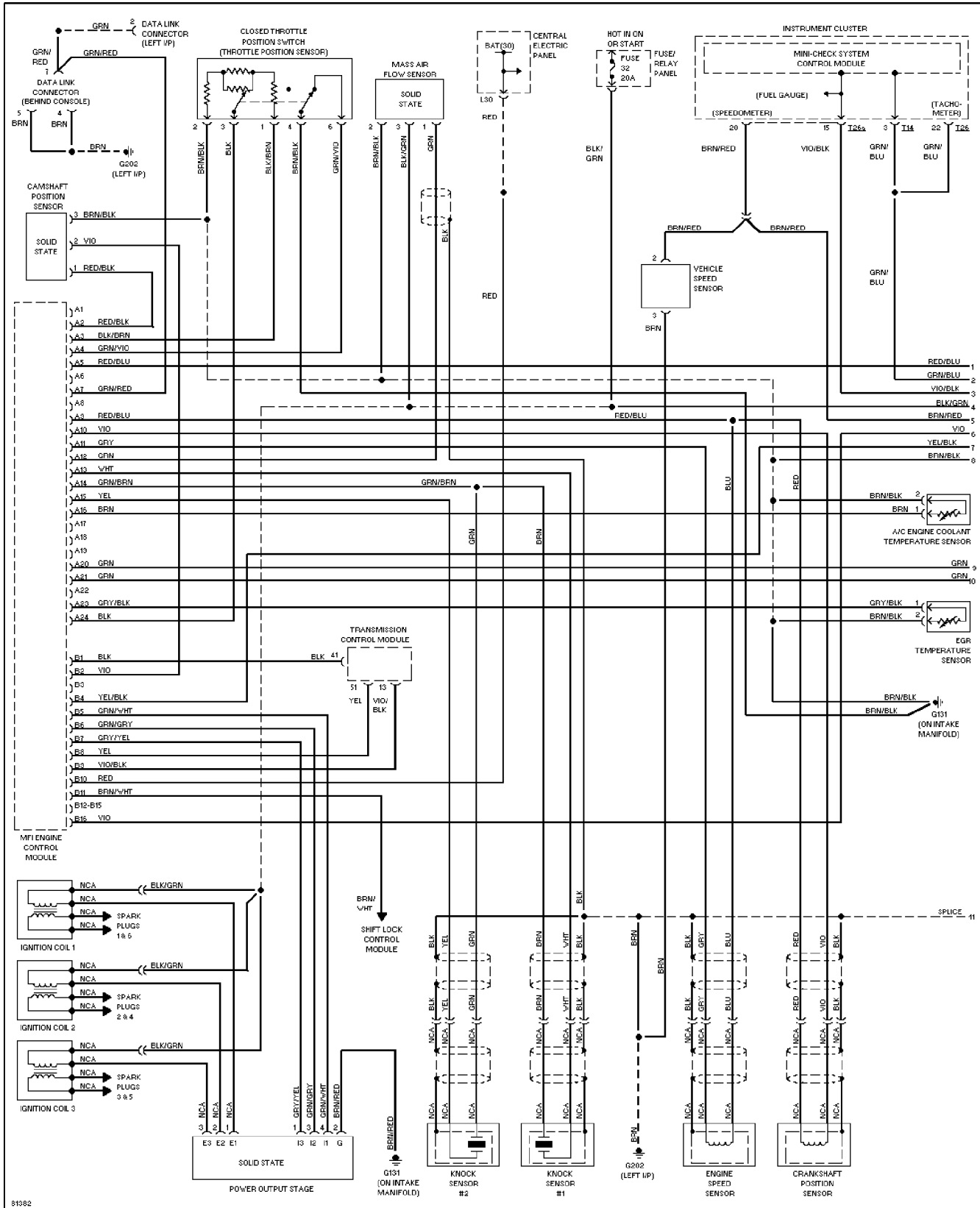
2.8L, Engine Performance Circuits (1 of 2)

1996 Audi Cabriolet

For DIAKOM-AUTO <http://www.diakom.ru> Taganrog support@diakom.ru (8634)315187

Copyright © 1998 Mitchell Repair Information Company, LLC

Thursday, November 02, 2000 10:52AM



SYSTEM WIRING DIAGRAMS

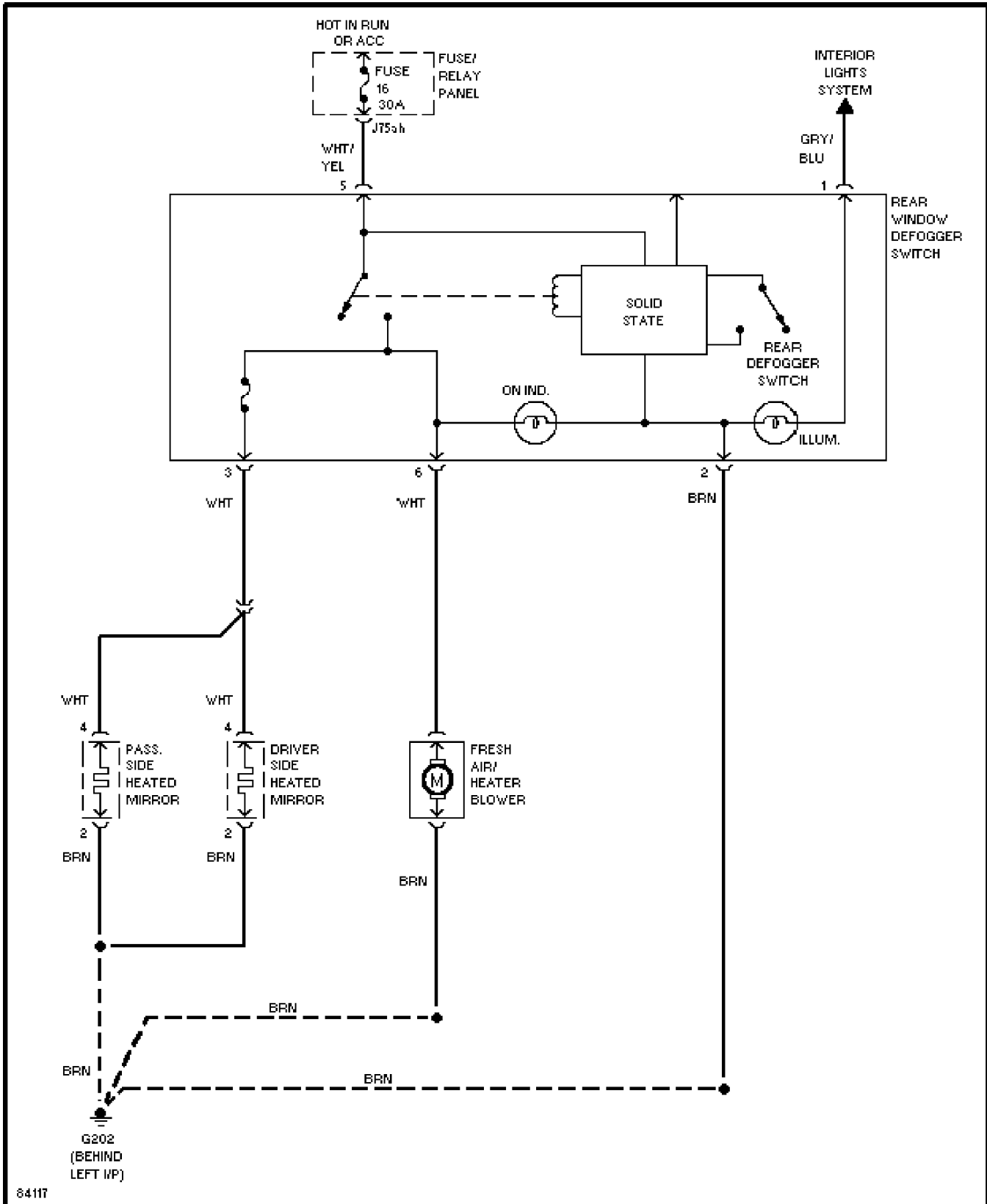
Defogger Circuit

1996 Audi Cabriolet

For DIAKOM-AUTO <http://www.diakom.ru> Taganrog support@diakom.ru (8634)315187

Copyright © 1998 Mitchell Repair Information Company, LLC

Thursday, November 02, 2000 10:52AM



SYSTEM WIRING DIAGRAMS

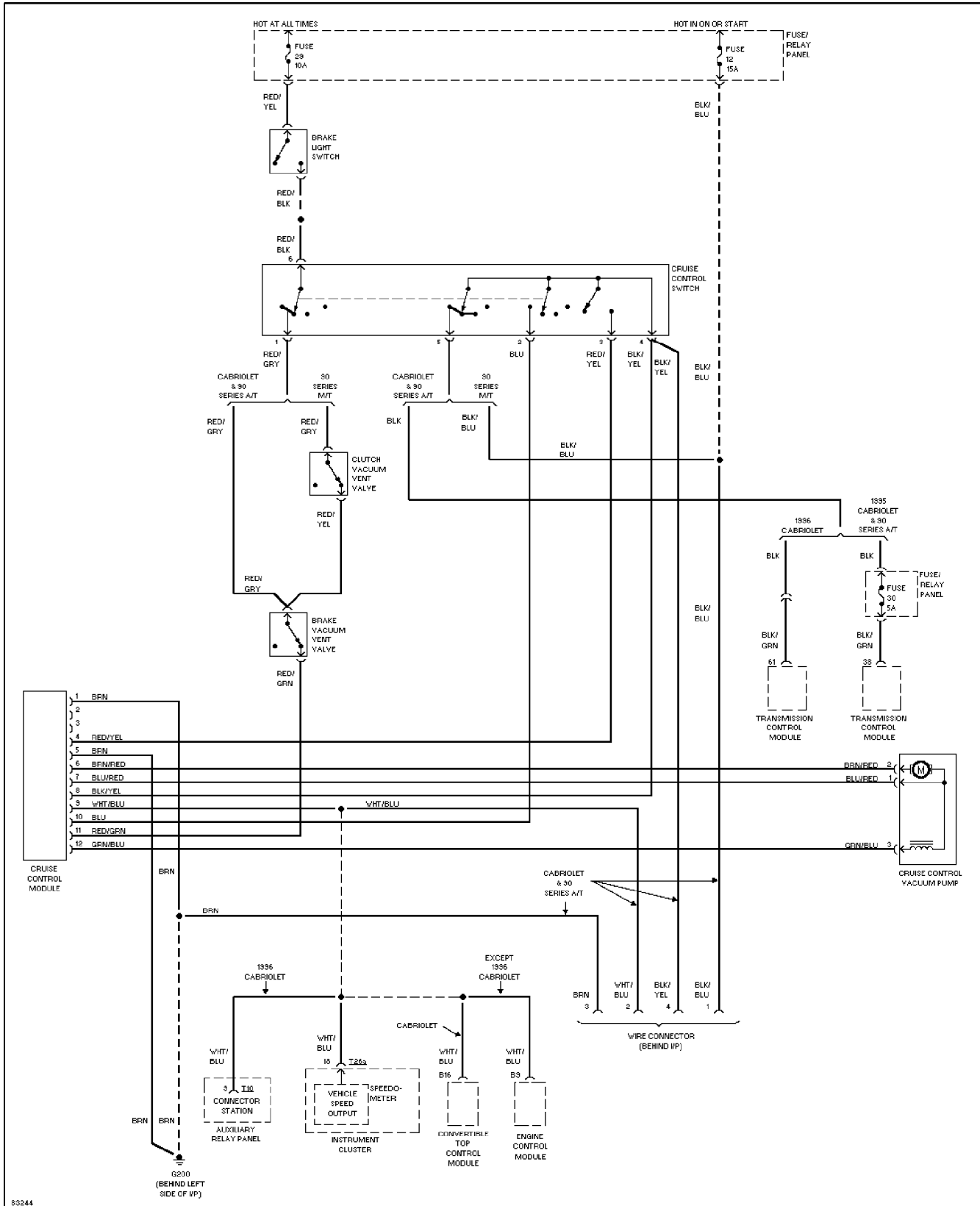
Cruise Control Circuit

1996 Audi Cabriolet

For DIAKOM-AUTO <http://www.diakom.ru> Taganrog support@diakom.ru (8634)315187

Copyright © 1998 Mitchell Repair Information Company, LLC

Thursday, November 02, 2000 10:51AM



SYSTEM WIRING DIAGRAMS

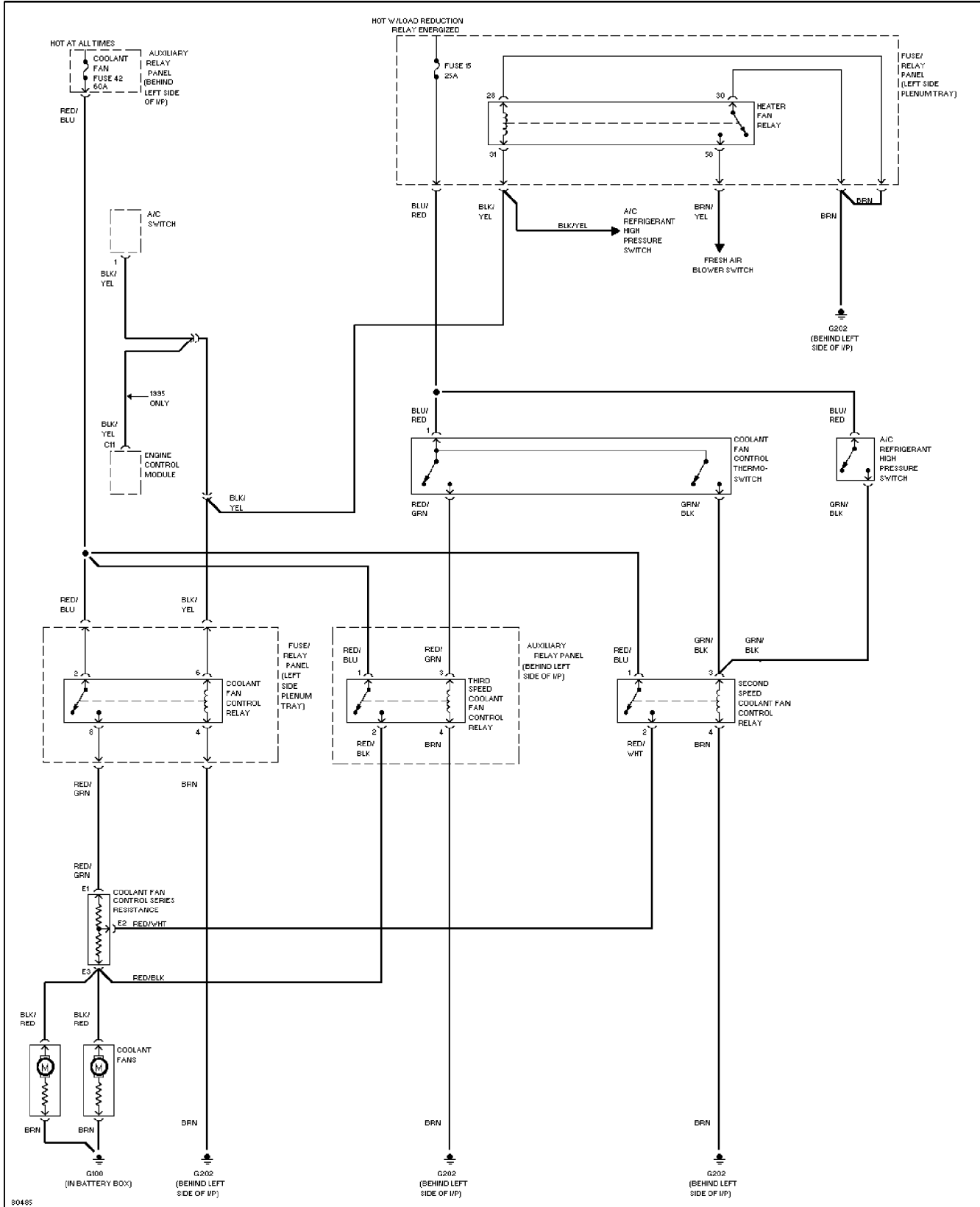
Cooling Fan Circuit

1996 Audi Cabriolet

For DIAKOM-AUTO <http://www.diakom.ru> Taganrog support@diakom.ru (8634)315187

Copyright © 1998 Mitchell Repair Information Company, LLC

Thursday, November 02, 2000 10:51AM



SYSTEM WIRING DIAGRAMS

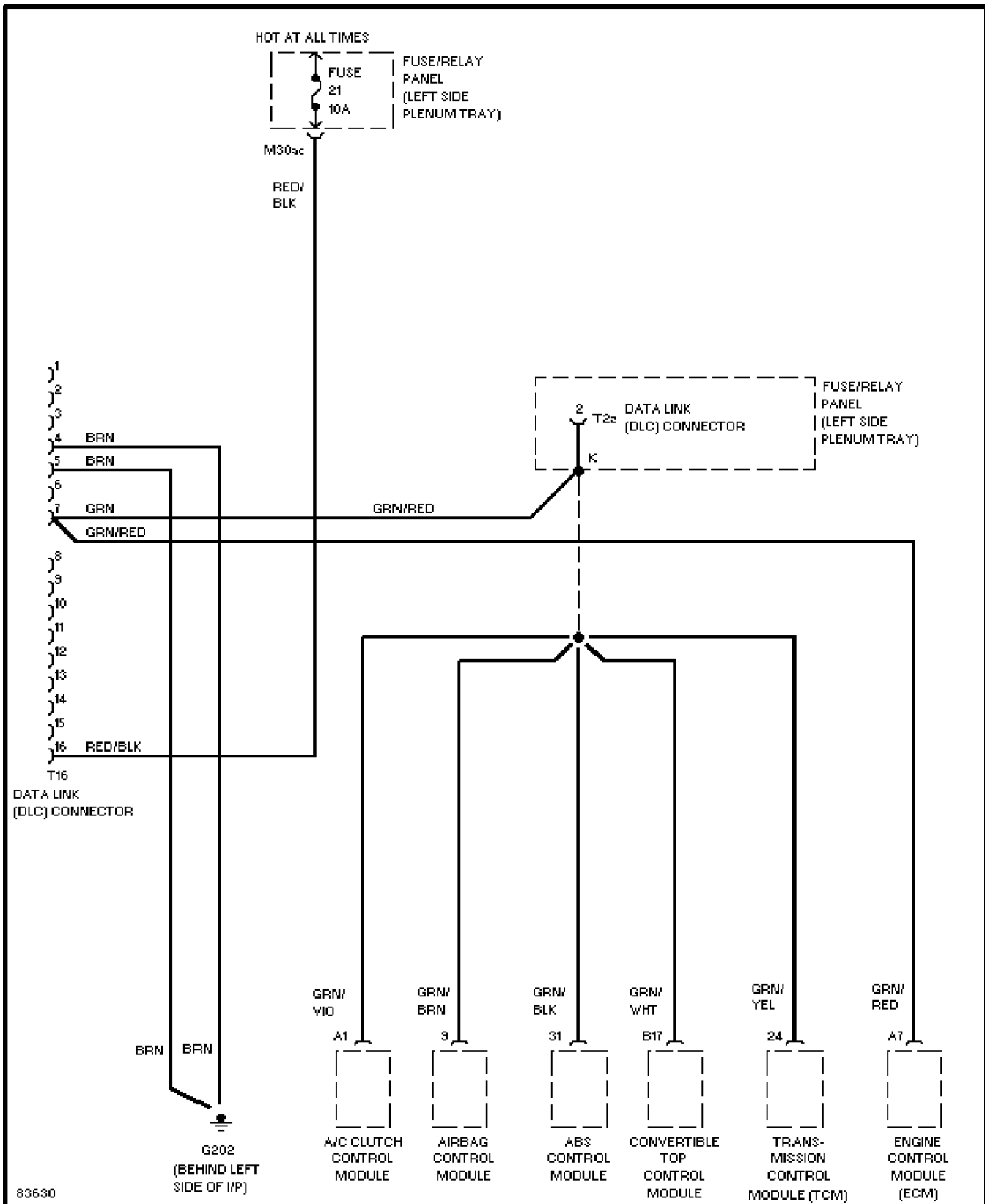
Computer Data Lines

1996 Audi Cabriolet

For DIAKOM-AUTO <http://www.diakom.ru> Taganrog support@diakom.ru (8634)315187

Copyright © 1998 Mitchell Repair Information Company, LLC

Thursday, November 02, 2000 10:51AM

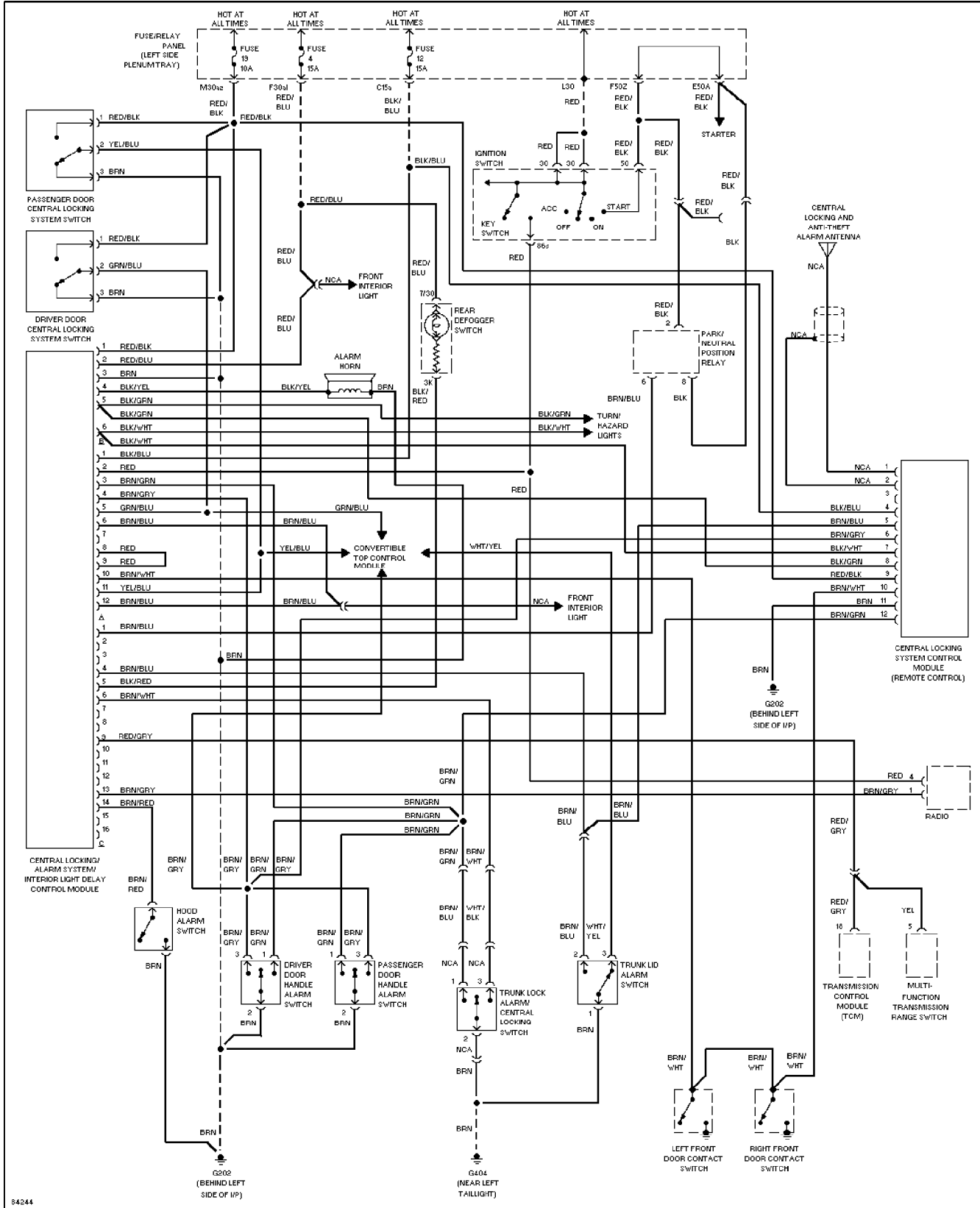


SYSTEM WIRING DIAGRAMS

Anti-theft & Central Locking Circuit

1996 Audi Cabriolet

For DIAKOM-AUTO <http://www.diakom.ru> Taganrog support@diakom.ru (8634)315187
 Copyright © 1998 Mitchell Repair Information Company, LLC
 Thursday, November 02, 2000 10:51AM



SYSTEM WIRING DIAGRAMS

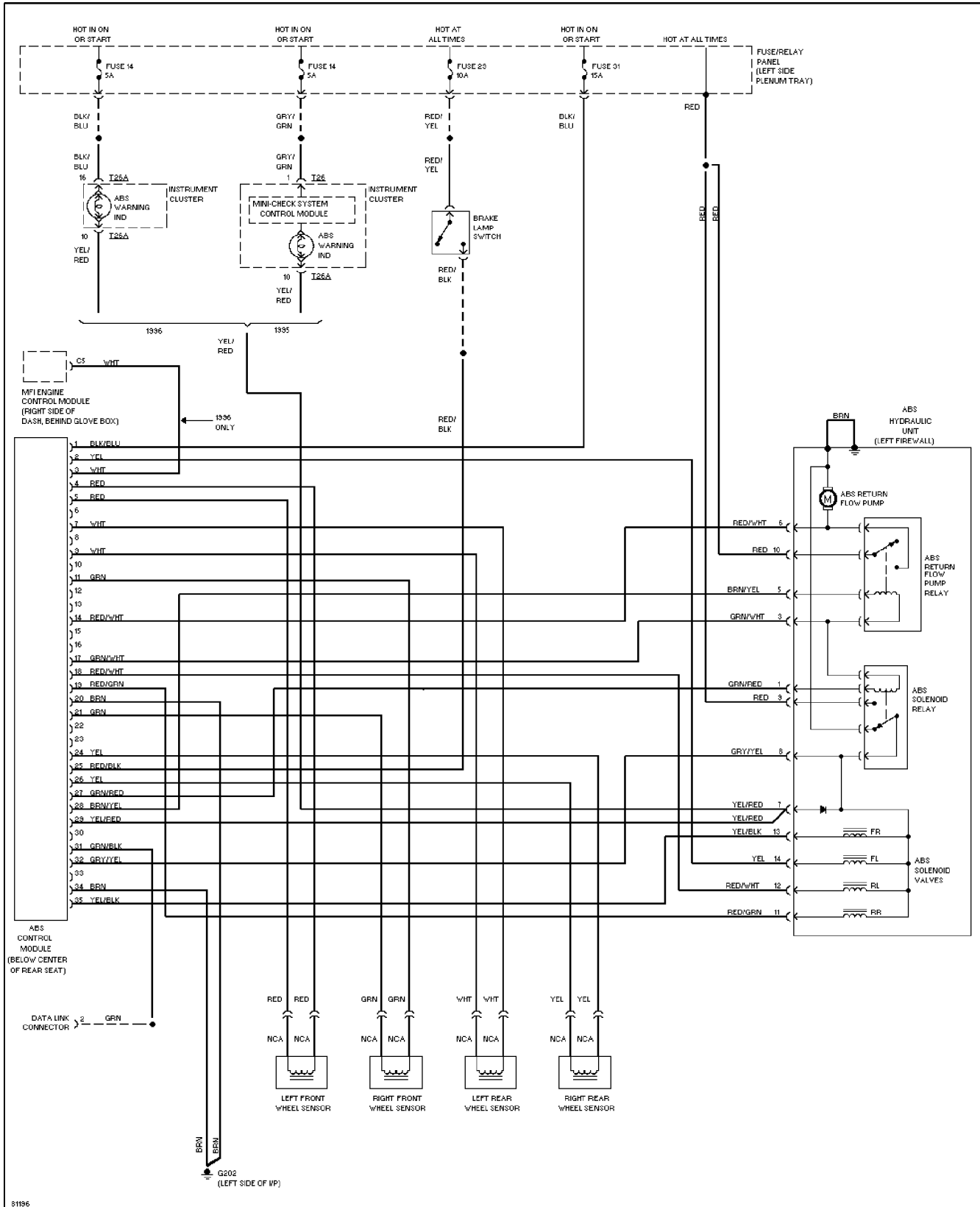
Anti-lock Brake Circuits

1996 Audi Cabriolet

For DIAKOM-AUTO <http://www.diakom.ru> Taganrog support@diakom.ru (8634)315187

Copyright © 1998 Mitchell Repair Information Company, LLC

Thursday, November 02, 2000 10:51AM



SYSTEM WIRING DIAGRAMS

Wiper/Washer Circuit

1996 Audi Cabriolet

For DIAKOM-AUTO <http://www.diakom.ru> Taganrog support@diakom.ru (8634)315187

Copyright © 1998 Mitchell Repair Information Company, LLC

Thursday, November 02, 2000 11:00AM

