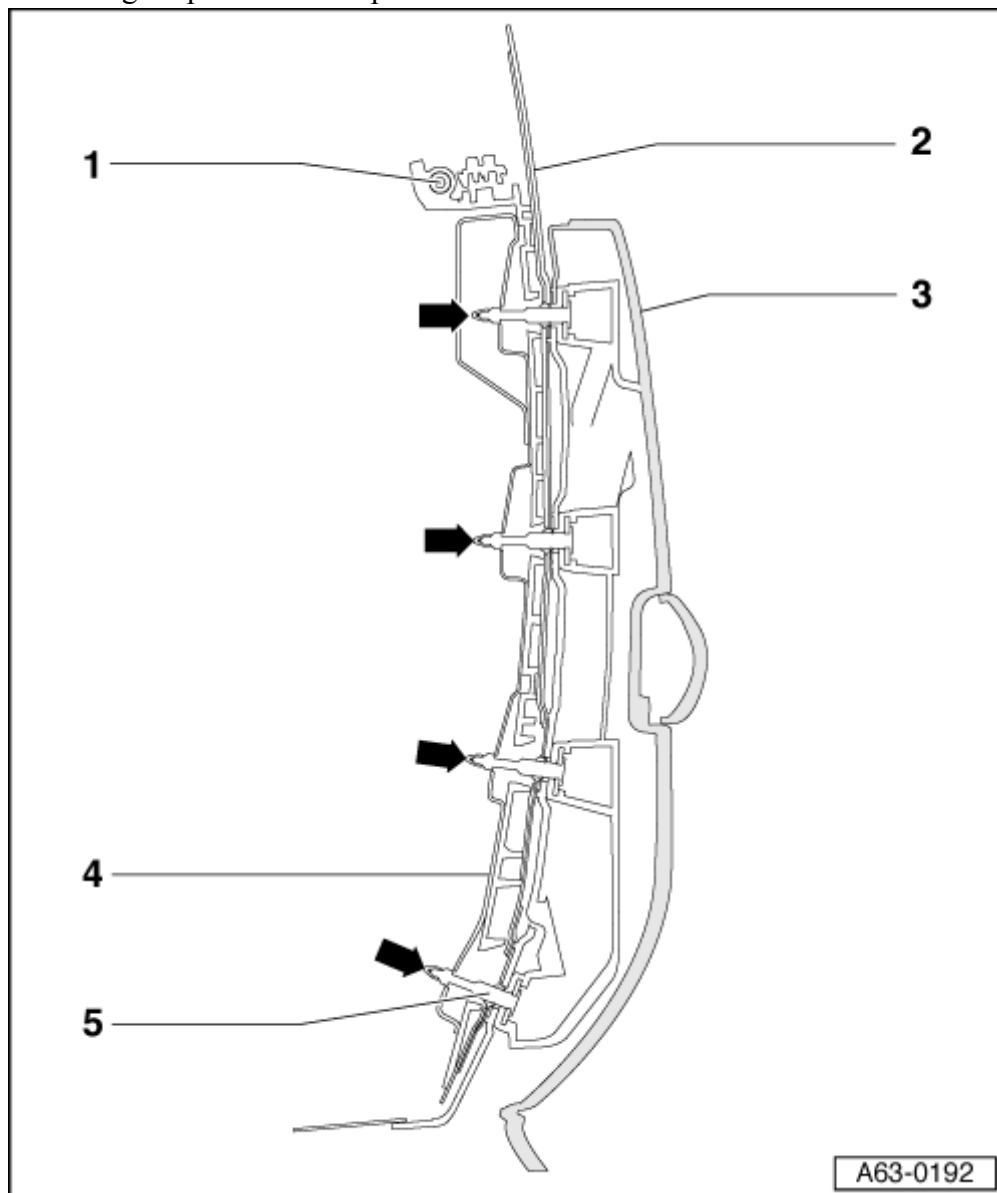
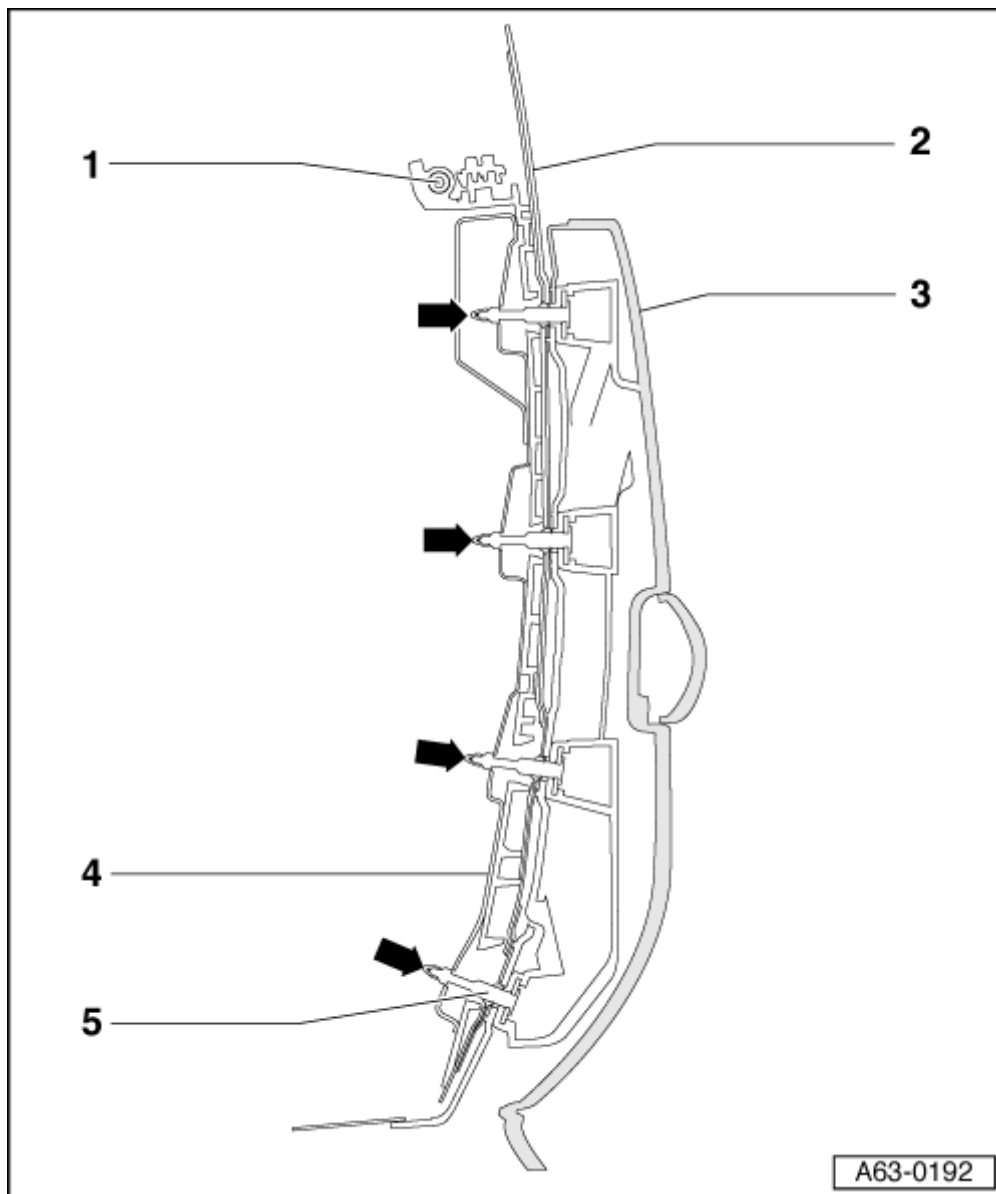


Fastening strip for rear bumper cover



Note

- t Observe direction of rotation of worm gear.
- t Release slides by turning clockwise on right side and anti-clockwise on left side.
- t After unfastening bumper cover at attachment points as necessary, release slide by way of worm gear using a 6 mm Allen key.
- t Several turns are required for this.
- t Retaining strip -4- is thus moved downwards and provides access to retaining pins -5- in elongated holes (keyhole profile) of cover.
- t Cover can then be detached to rear.



1 - Worm gear

q Tighten to 1 Nm.

q 6 mm Allen key



WARNING

Important: Always ensure compliance with torque of 1 Nm on installation.

Worm gear of fastening strip will otherwise be damaged, thus considerably impeding bumper removal.

2 - Rear body panel

3 - Rear bumper cover

4 - Slide for fastening strip

q Release slide via worm gear (turn clockwise on right side and anti-clockwise on left side).

5 - Retaining pins for bumper cover

q Slide is used to release or lock retaining pins during installation.