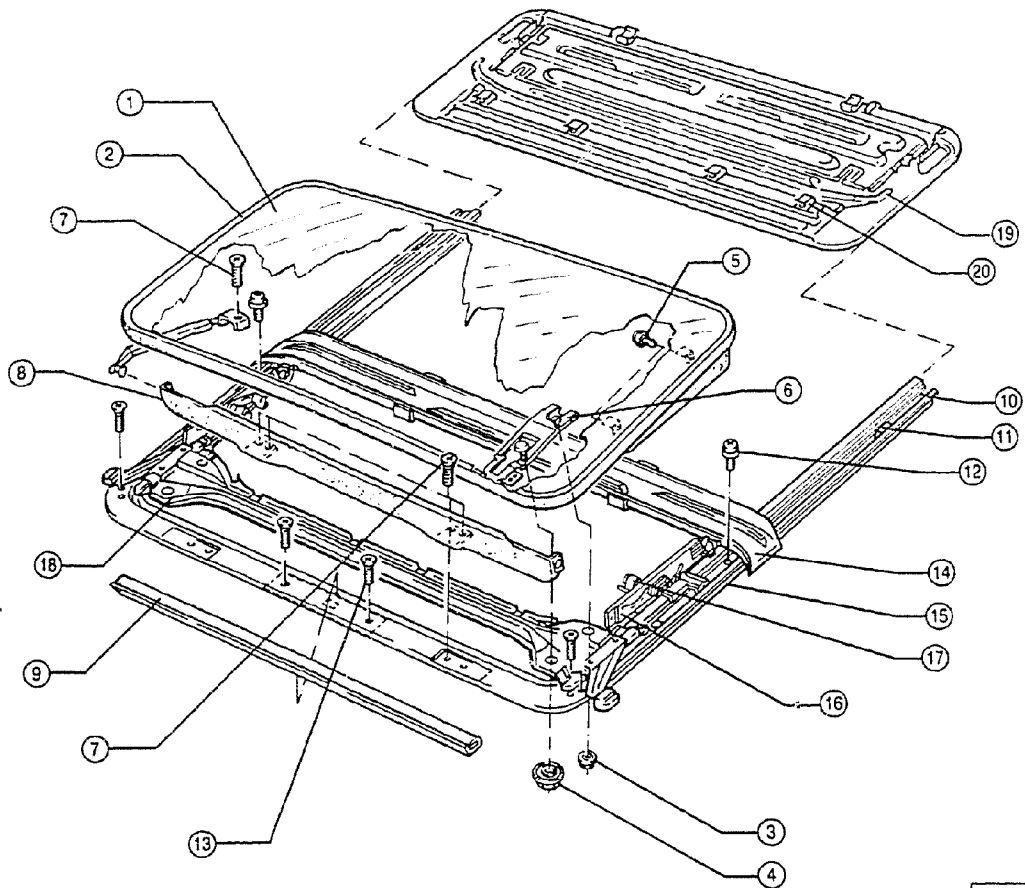
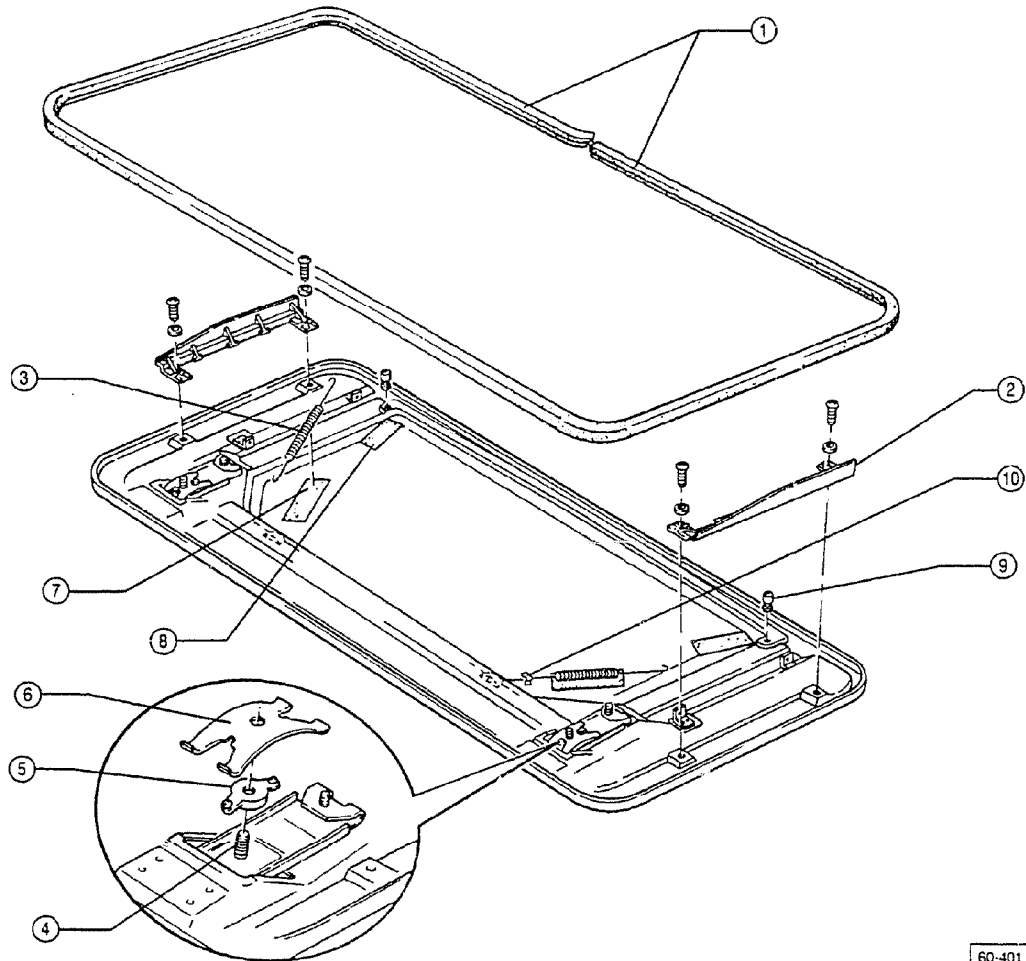


Sunroof



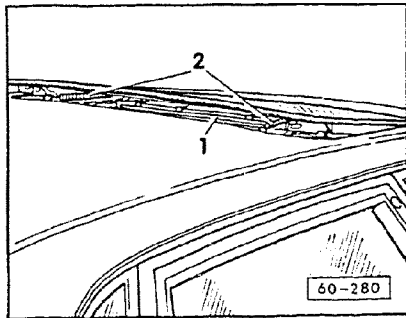
60-398

- | | |
|-----------------------------------|--|
| ① — Sunroof lid, removing 60.4 | ⑪ — Stop bracket |
| ② — Sunroof lid seal | ⑫ — Oval head screw |
| ③ — Sunroof lid bolt | ⑬ — Flat head screw |
| ④ — Height adjustment bolt, front | ⑭ — Rain deflector |
| ⑤ — Height adjustment screw, rear | ⑮ — Rear guide (with cable) |
| ⑥ — Sunroof lid hinge | ⑯ — Tilt bracket |
| ⑦ — Flat head screw | ⑰ — Sunroof headliner lifter/retainer |
| ⑧ — Wind deflector | ⑱ — Front sunroof support |
| ⑨ — Acoustic seal | ⑲ — Sunroof lid headliner |
| ⑩ — Side guide rail | ⑳ — Sunroof lid headliner retaining clip |



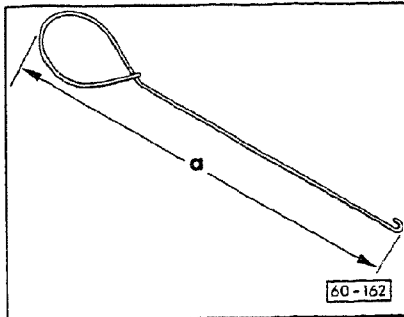
60-401

- ① — Sunroof lid seal
- ② — Trim piece
- ③ — Tension spring
- ④ — Sunroof lid hinge
- ⑤ — Rubber spring
- ⑥ — Leaf spring
- ⑦ — Protective felt strip
- ⑧ — Protective felt strip
- ⑨ — Rubber stop
- ⑩ — Tape (holds spring in place)



Sunroof lid, removing

- tilt sunroof up at rear
- push flap (1) downwards
- unhook both tension springs (2) from flap

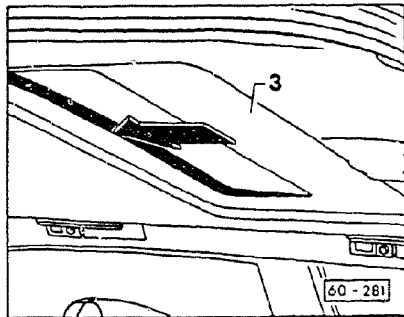


To make spring removal easier, make special removal tool

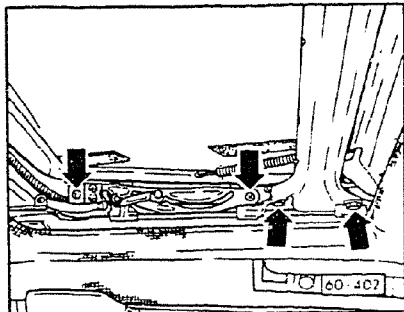
- a = approximately 300mm (12.0 in)
- dip hook in paint to prevent damage to vehicle

CAUTION

Put masking tape around front and rear of sunroof opening to protect paint when removing sunroof pieces.

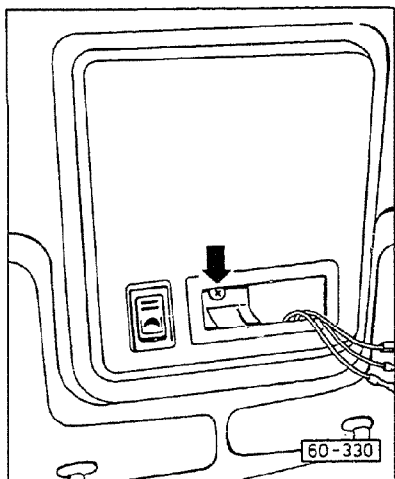


- reach into sunroof opening and unclip trim panel (3) by pulling toward back
- push trim panel back into roof

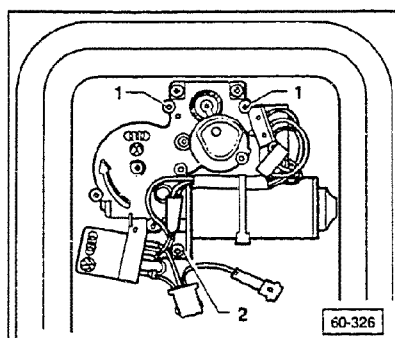


- close sunroof
- remove mounting screws and nuts (arrows)
- carefully lift sunroof lid from vehicle

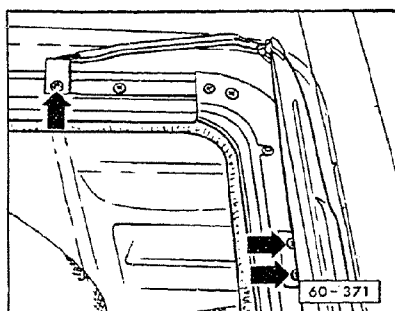
Sunroof motor, removing



- remove sunroof trim and sunroof lid from vehicle
- unclip dome light and disconnect electrical connectors
- unscrew cover (**arrow**) and push forward to remove



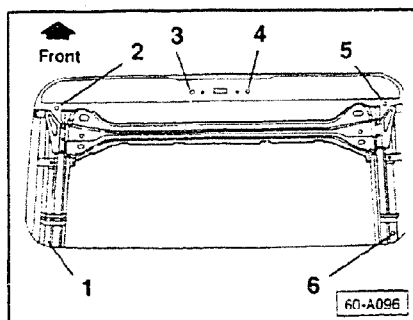
- disconnect motor electrical connectors
- remove screws (1) and (2) noting position of washer under screw (2) located between motor and roof



Sunroof assembly, removing

- remove sunroof lid
- remove sunroof motor
- push rear guide with cables and sunroof support back far enough to expose deflector mounting screws (**arrows**)
- unscrew wind deflector screws (**arrows**)
- remove wind deflector

Sunroof

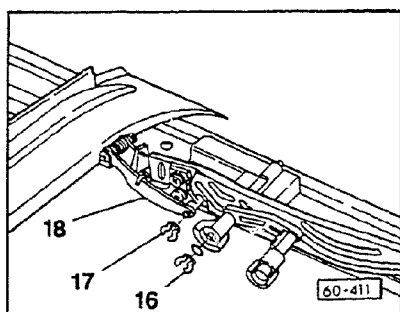


- remove six M4 X 16 oval head screws (arrows)
 - screws 1 and 6 have lock washers
- move complete sunroof assembly up and forward out of sunroof opening
- remove sunroof headliner from vehicle

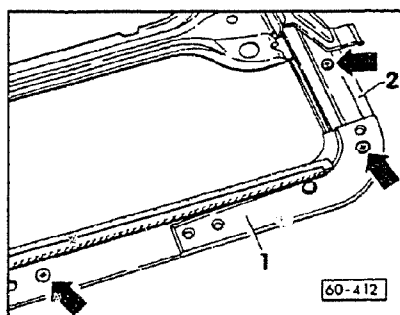
Note

The following repairs are done with the sunroof assembly on the workbench.

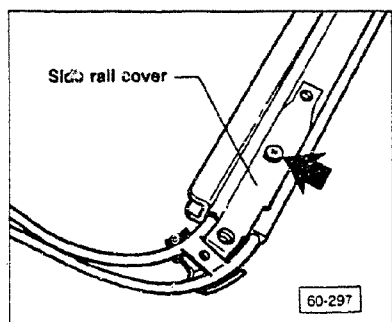
Sunroof assembly, disassembly



- remove sunroof assembly
- remove circlip (17) and pull off lever (18) on both sides
- remove circlip (16) and O-ring
- remove guide plate/tilt bracket



- remove screws (arrows) and remove front rail cover
- pull sunroof support forward and out of guide rails



- remove side rail cover screw (arrow) from both sides
- remove side rail covers