

Removing and installing rear window wiper motor

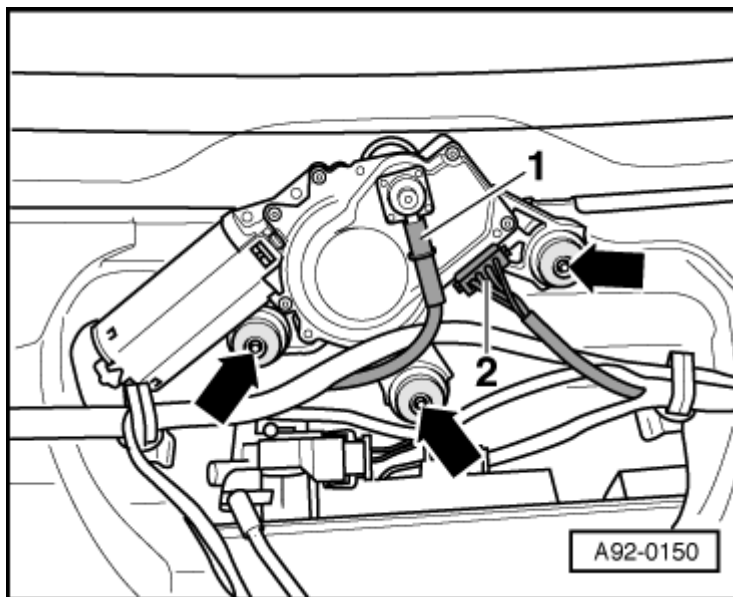
Removing

- Remove wiper arm → [Chapter](#).
- Remove trim at bottom of rear lid → [Rep. Gr.70](#).
- Unplug electrical connector -2-.
- Disconnect washer fluid hose -1- from connecting pipe for washer jet.
- Remove nuts -arrows- and detach wiper motor.

Installing

Installation is carried out in the reverse order; note the following:

- Carefully insert rubber grommet into hole in rear window.
- 1 Fluid hose must audibly engage in washer jet connection.
- Switch on ignition.
- Actuate rear wiper and allow wiper motor to move to end position.
- Switch off ignition.
- Install trim at bottom of rear lid → [Rep. Gr.70](#).
- Adjust wiper arm → [Chapter](#).



Component	Nm
Wiper motor to rear lid	8