

Audi A6

Current Flow Diagram

No. 35 / 1

Edition 08.2007

Heated front and rear seats

from model year 2005

Notes:

For information concerning

- ◆ Position of relays and fuses
- ◆ Multi-pin connections
- ◆ Control units and relays
- ◆ Earth connections

→ List of Fitting Locations!

For information concerning

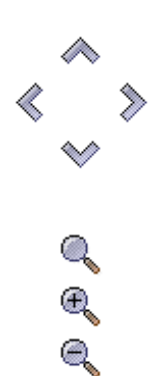
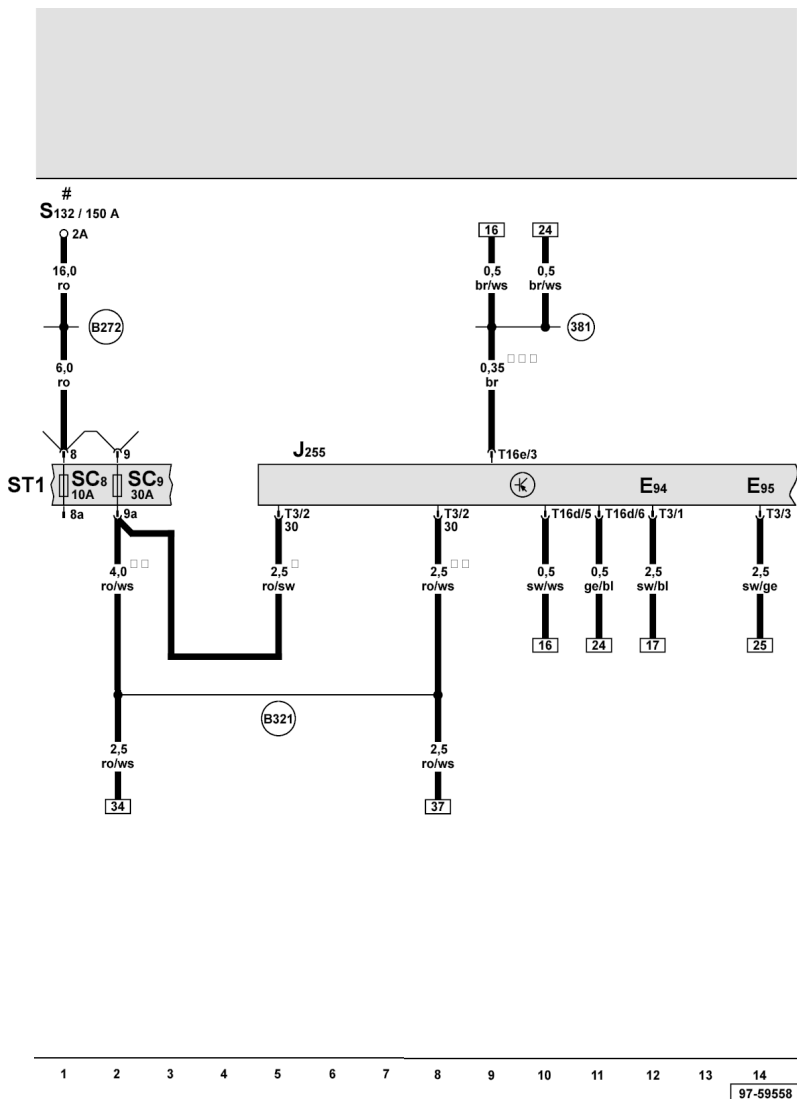
- ◆ Fault Finding Programs

→ guided fault finding

Audi A6

Current Flow Diagram

No. 35 / 2



Heated driver seat regulator, heated front passenger seat regulator, Climatronic control unit

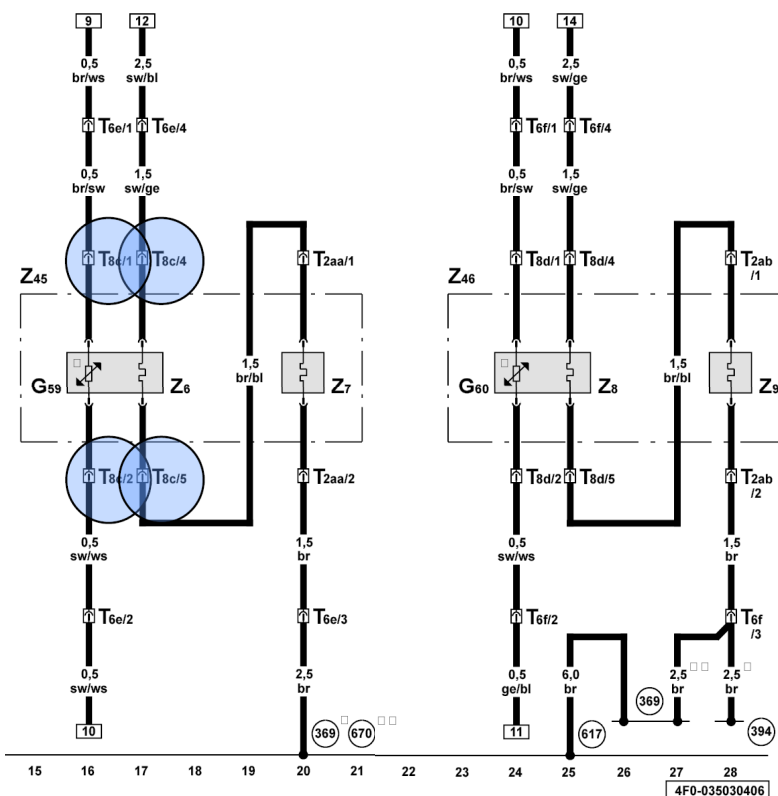
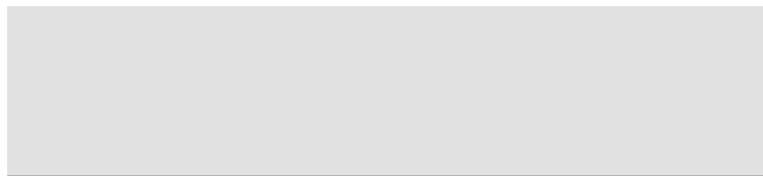
- E94 - Heated driver seat regulator
- E95 - Heated front passenger seat regulator
- J255 - Climatronic control unit
- S132 - Fuse 2
- SC8 - Fuse 8 on fuse holder
- SC9 - Fuse 9 on fuse holder
- T3 - 3-pin connector, black, connector E, on Climatronic control unit
- T16d - 16-pin connector, brown, connector C, on Climatronic control unit
- T16e - 16-pin connector, black, connector D, on Climatronic control unit
- 381 - Earth connection 16, in main wiring harness
- B272 - Positive connection (30), in main wiring harness
- B321 - Positive connection 7 (30a), in main wiring harness
- * - Heated front seats
- ** - Heated front and rear seats
- *** - output sender earth
- # - Fuse and relay carrier right in luggage compartment

ws = white
 sw = black
 ro = red
 br = brown
 gn = green
 bl = blue
 gr = grey
 li = purple
 ge = yellow
 or = orange
 rs = pink

Audi A6

Current Flow Diagram

No. 35 / 3



Heated driver seat, heated driver seat backrest, heated front passenger seat, heated front passenger seat backrest, heated seat cushion for front left seat, heated seat cushion for front right seat, temperature sensor

- G59 - Driver seat temperature sensor
- G60 - Front passenger seat temperature sensor
- T2aa - 2-pin connector, under driver seat
- T2ab - 2-pin connector, under front passenger seat
- T6e - 6-pin connector, green, on left of seat cross member
- T6f - 6-pin connector, green, on right of seat cross member
- T8c** - 8-pin connector, under driver seat
- T8d - 8-pin connector, under front passenger seat
- Z6 - Heated driver seat cushion
- Z7 - Heated driver seat backrest
- Z8 - Heated front passenger seat cushion
- Z9 - Heated front passenger seat backrest
- Z45 - Front left seat heating
- Z46 - Front right seat heating
- 369 - Earth connection 4, in main wiring harness
- 394 - Earth connection 29, in main wiring harness
- 617 - Earth point 2, on lower part of right A-pillar
- 670 - Earth point 2, left A-pillar
- * - up to October 2005
- ** - from November 2005

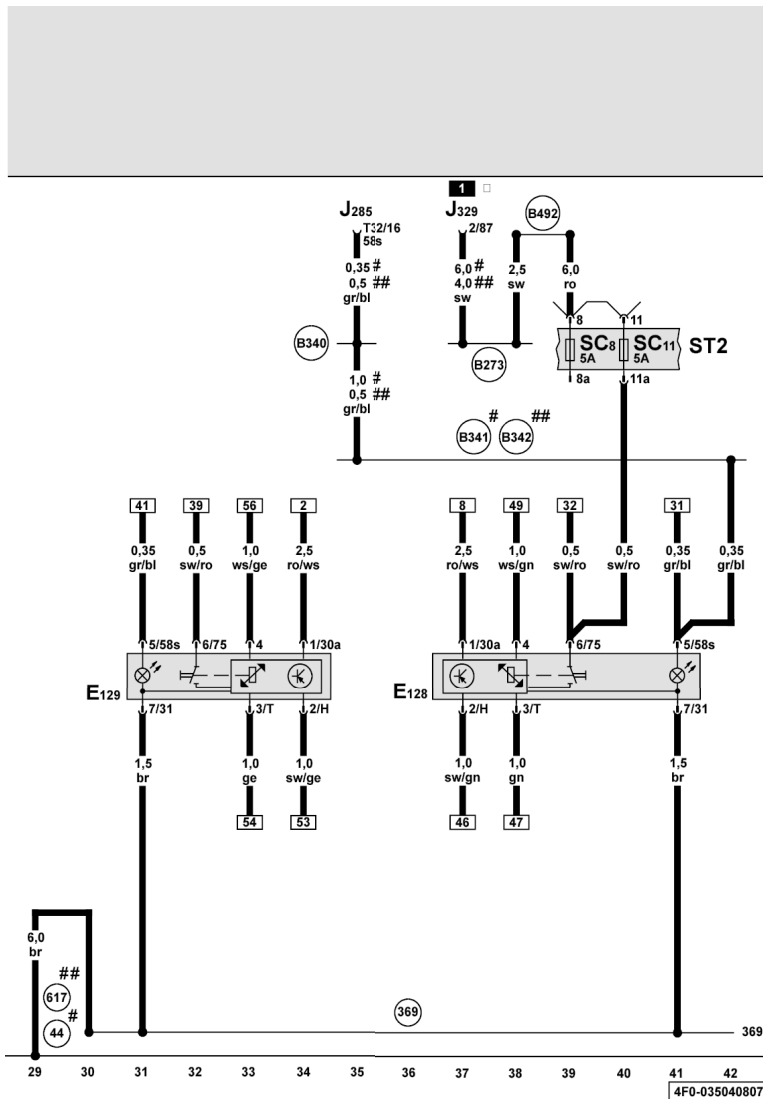
ws = white
 sw = black
 ro = red
 br = brown
 gn = green
 bl = blue
 gr = grey
 li = purple
 ge = yellow
 or = orange
 rs = pink

4F0-035030406

Audi A6

Current Flow Diagram

No. 35 / 4



ws = white
 sw = black
 ro = red
 br = brown
 gn = green
 bl = blue
 gr = grey
 li = purple
 ge = yellow
 or = orange
 rs = pink

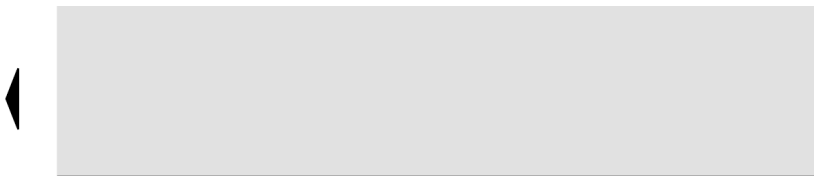
Heated rear left seat switch with regulator, heated rear right seat switch with regulator

- E128 - Heated rear left seat switch with regulator
- E129 - Heated rear right seat switch with regulator
- J285 - Control unit in dash panel insert
- J329 - Terminal 15 voltage supply relay
- SC8 - Fuse 8 on fuse holder
- SC11 - Fuse 11 on fuse holder
- T32 - 32-pin connector, grey, on dash panel insert
- 44 - Earth point, lower part of left A-pillar
- 369 - Earth connection 4, in main wiring harness
- 617 - Earth point 2, on lower part of right A-pillar
- B273 - Positive connection (15), in main wiring harness
- B340 - Connection 1 (58s), in main wiring harness
- B341 - Connection 2 (58s), in main wiring harness
- B342 - Connection 3 (58s), in main wiring harness
- B492 - Positive connection 3 (15), in interior wiring harness
- * - 9-point relay carrier, behind driver storage compartment
- # - up to October 2005
- ## - from November 2005

Audi A6

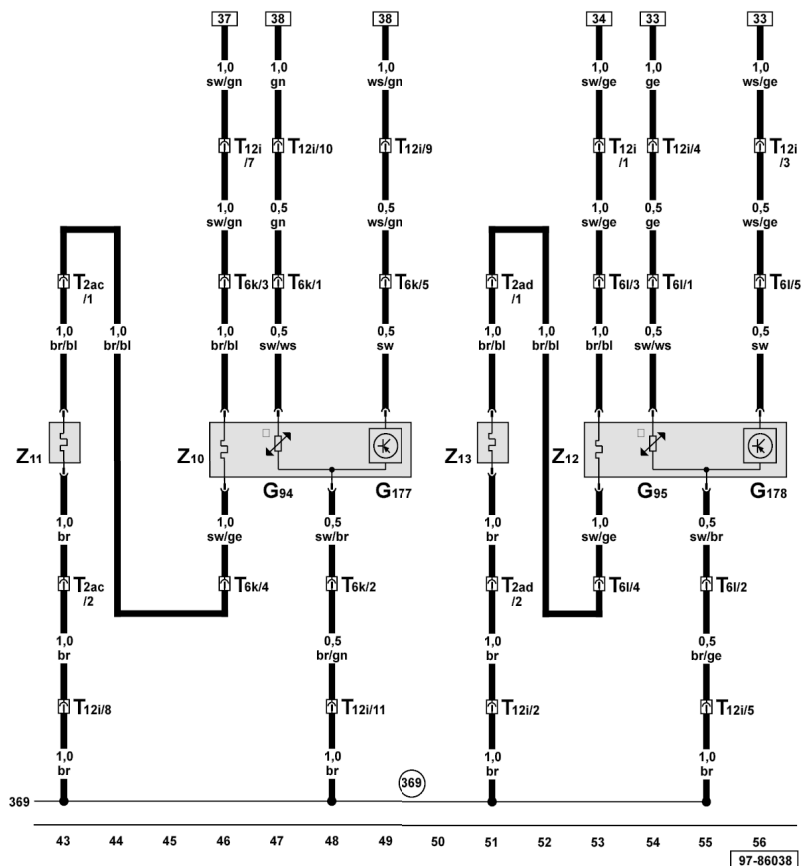
Current Flow Diagram

No. 35 / 5



Heated bench seat cushion for rear left seat, heated rear left seat backrest, heated bench seat cushion for rear right seat, heated rear right seat backrest, rear seat occupied sensor, rear seat temperature sensor

- G94 - Rear left seat temperature sensor
- G95 - Rear right seat temperature sensor
- G177 - Rear seat occupied sensor on driver side
- G178 - Rear seat occupied sensor on front passenger side
- T2ac - 2-pin connector, in rear seat, left
- T2ad - 2-pin connector, in rear seat, right
- T6k - 6-pin connector, under rear seat, left
- T6l - 6-pin connector, under rear seat, right
- T12i - 12-pin connector, black, under rear seat
- Z10 - Heated rear left seat
- Z11 - Heated rear left seat backrest
- Z12 - Heated rear right seat
- Z13 - Heated rear right seat backrest
- 369 - Earth connection 4, in main wiring harness



- ws = white
- sw = black
- ro = red
- br = brown
- gn = green
- bl = blue
- gr = grey
- li = purple
- ge = yellow
- or = orange
- rs = pink