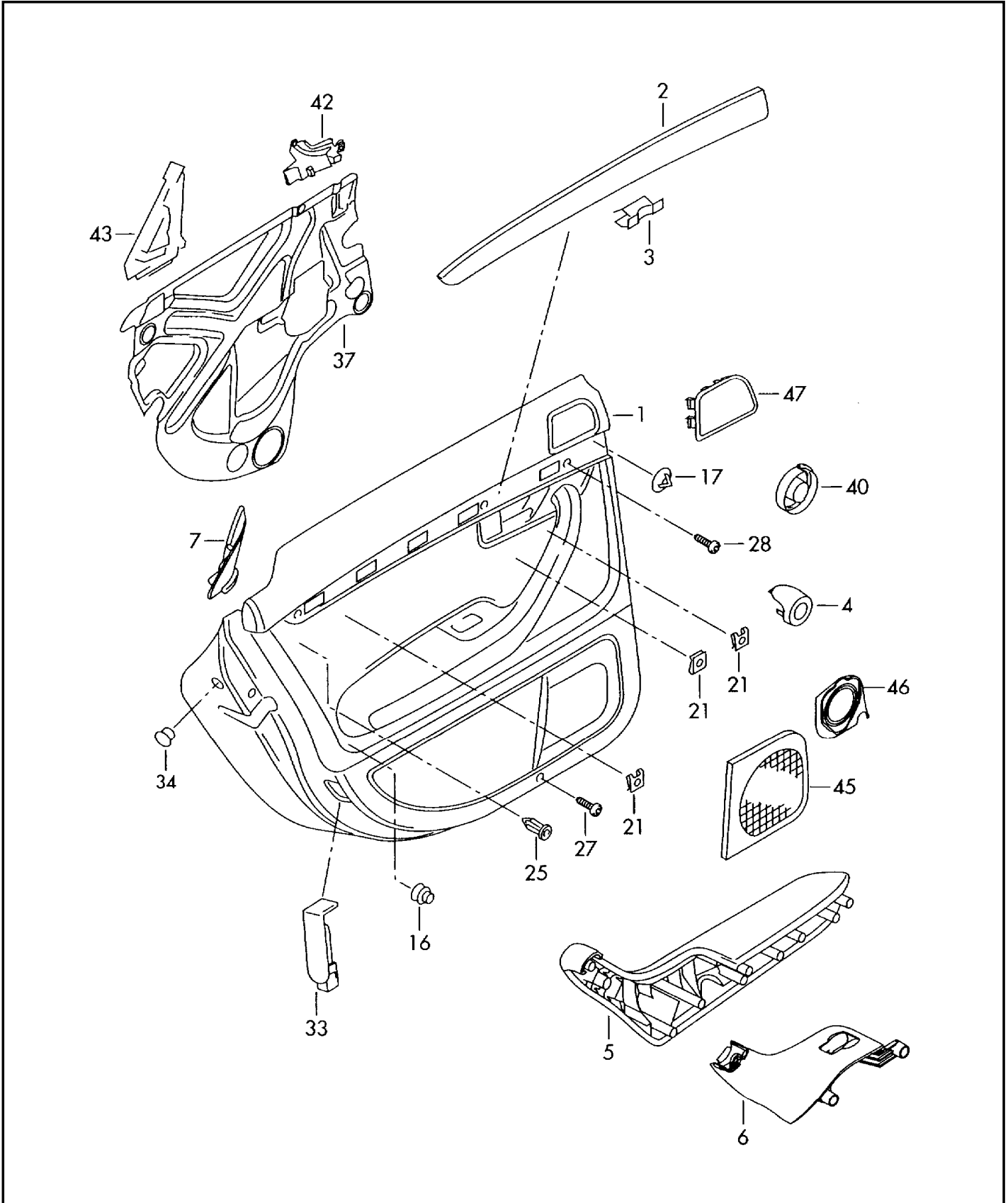




Audi

ETKA

Model	Year	MG	SG	Illustration	Restrictions	UPD	23:29	07.03.2012
A4	2006	8	67	867-40		895		





Audi

ETKA

Model	Year	MG	SG	Illustration	Restrictions	UPD	23:29	07.03.2012
A4	2006	8	67	867-40		895		

Pos	Part Number	Description	Remark	Qty	Model
-	8E0 867 443	door trim panel (cloth) use if required: rework if necessary	rear 8E0 867 443		PR-N2M, N5F
-	8E0 867 443	dummy cover entry light		X	
1	8E0 867 303 T	door trim panel (cloth)	left	1	
	11/04-06/08TNP	agate grey/light platinum	-NQ		
	11/04-06/088E1	soul (black)	-NK, QL		
	11/04-06/088G6	indigo blue	-MF		
(1)	8E0 867 303 AJ	door trim panel (cloth) for models with roller blind	left	1	
	11/04-06/08TNP	agate grey/light platinum	-NQ		
	11/04-06/088E1	soul (black)	-NK, QL		
	11/04-06/088G6	indigo blue	-MF		
(1)	8E0 867 304 T	door trim panel (cloth)	right	1	
	11/04-06/08TNP	agate grey/light platinum	-NQ		
	11/04-06/088E1	soul (black)	-NK, QL		
	11/04-06/088G6	indigo blue	-MF		
(1)	8E0 867 304 AJ	door trim panel (cloth) for models with roller blind	right	1	
	11/04-06/08TNP	agate grey/light platinum	-NQ		
	11/04-06/088E1	soul (black)	-NK, QL		
	11/04-06/088G6	indigo blue	-MF		
-	8E0 867 443	door trim panel (cloth) use if required: rework if necessary	rear 8E0 867 443		PR-N0L
-	8E0 867 443	dummy cover entry light		X	
(1)	8E0 867 303 AA	door trim panel (cloth)	left	1	
	11/04-06/08VMD	agate grey/light platinum	-NQ		
	11/04-06/08SYZ	kamut beige/torrone (beige)	-NR		
	11/04-06/081BY	indigo	-MF		



Audi

ETKA

Model	Year	MG	SG	Illustration	Restrictions	UPD	23:29	07.03.2012
A4	2006	8	67	867-40		895		

Pos	Part Number	Description	Remark	Qty	Model
	11/04-06/089AQ	soul (black)	-NK		
(1)	8E0 867 303 AK	door trim panel (cloth) for models with roller blind	left	1	
	11/04-06/08VMD	agate grey/light platinum	-NQ		
	11/04-06/08SYZ	kamut beige/torrone (beige)	-NR		
	11/04-06/081BY	indigo	-MF		
	11/04-06/089AQ	soul (black)	-NK		
(1)	8E0 867 304 AA	door trim panel (cloth)	right	1	
	11/04-06/08VMD	agate grey/light platinum	-NQ		
	11/04-06/08SYZ	kamut beige/torrone (beige)	-NR		
	11/04-06/081BY	indigo	-MF		
	11/04-06/089AQ	soul (black)	-NK		
(1)	8E0 867 304 AK	door trim panel (cloth) for models with roller blind	right	1	
	11/04-06/08VMD	agate grey/light platinum	-NQ		
	11/04-06/08SYZ	kamut beige/torrone (beige)	-NR		
	11/04-06/081BY	indigo	-MF		
	11/04-06/089AQ	soul (black)	-NK		
		door trim panel (cloth) use if required: rework if necessary	rear 8E0 867 443		PR-N2L
-	8E0 867 443	dummy cover entry light		X	
(1)	8E0 867 303 AB	door trim panel (cloth)	left	1	
	11/04-06/083L6	soul (black)	-QE, QL		
(1)	8E0 867 303 AL	door trim panel (cloth) for models with roller blind	left	1	
	11/04-06/083L6	soul (black)	-QE, QL		
(1)	8E0 867 304 AB	door trim panel (cloth)	right	1	
	11/04-06/083L6	soul (black)	-QE, QL		



Audi

ETKA

Model	Year	MG	SG	Illustration	Restrictions	UPD	23:29	07.03.2012
A4	2006	8	67	867-40		895		

Pos	Part Number	Description	Remark	Qty	Model
(1)	8E0 867 304 AL	door trim panel (cloth) for models with roller blind	right	1	PR-N0C
	11/04-06/083L6	soul (black)	-QE, QL		
		door trim (leatherette) use if required: rework if necessary	rear 8E0 867 443		
-	8E0 867 443	dummy cover entry light		X	
(1)	8E0 867 303 AG	door trim (leatherette)	left	1	
	11/04-06/08SYE	agate grey/light platinum	-NQ		
	11/04-06/08SYF	kamut beige/torrone (beige)	-NR		
	11/04-06/0838M	soul (black)	-NK		
(1)	8E0 867 303 AR	door trim (leatherette) for models with roller blind	left	1	
	11/04-06/08SYE	agate grey/light platinum	-NQ		
	11/04-06/08SYF	kamut beige/torrone (beige)	-NR		
	11/04-06/0838M	soul (black)	-NK		
(1)	8E0 867 304 AG	door trim (leatherette)	right	1	
	11/04-06/08SYE	agate grey/light platinum	-NQ		
	11/04-06/08SYF	kamut beige/torrone (beige)	-NR		
	11/04-06/0838M	soul (black)	-NK		
(1)	8E0 867 304 AR	door trim (leatherette) for models with roller blind	right	1	
	11/04-06/08SYE	agate grey/light platinum	-NQ		
	11/04-06/08SYF	kamut beige/torrone (beige)	-NR		
	11/04-06/0838M	soul (black)	-NK		
		door panel trim (leather) use if required: rework if necessary	rear 8E0 867 443		PR-N5D, N1V
-	8E0 867 443	dummy cover entry light		X	



Audi

ETKA

Model	Year	MG	SG	Illustration	Restrictions	UPD	23:29	07.03.2012
A4	2006	8	67	867-40		895		

Pos	Part Number	Description	Remark	Qty	Model
(1)	8E0 867 303 AH	door panel trim (leather)	left	1	
	11/04-06/08SYL	agate grey/light platinum	-NQ		
	11/04-06/08SYM	soul (black)	-NK, NM, NX, QE, QL, QU, QW, QX, QY, QF		
	11/04-06/08TNQ	kamut beige/torrone (beige)	-NR		
	11/04-06/085R6	indigo blue	-NW		
(1)	8E0 867 303 AS	door panel trim (leather) for models with roller blind	left	1	
	11/04-06/08SYL	agate grey/light platinum	-NQ		
	11/04-06/08SYM	soul (black)	-NK, NM, NX, QE, QL, QU, QW, QX, QY, QF		
	11/04-06/08TNQ	kamut beige/torrone (beige)	-NR		
	11/04-06/085R6	indigo blue	-NW		
(1)	8E0 867 304 AH	door panel trim (leather)	right	1	
	11/04-06/08SYL	agate grey/light platinum	-NQ		
	11/04-06/08SYM	soul (black)	-NK, NM, NX, QE, QL, QU, QW, QX, QY, QF		
	11/04-06/08TNQ	kamut beige/torrone (beige)	-NR		
	11/04-06/085R6	indigo blue	-NW		
(1)	8E0 867 304 AS	door panel trim (leather) for models with roller blind	right	1	
	11/04-06/08SYL	agate grey/light platinum	-NQ		
	11/04-06/08SYM	soul (black)	-NK, NM, NX, QE, QL, QU, QW, QX, QY, QF		
	11/04-06/08TNQ	kamut beige/torrone (beige)	-NR		
	11/04-06/085R6	indigo blue	-NW		
		door panel trim (leather) use if required: rework if necessary	rear 8E0 867 443		PR-N0K, N1T
-	8E0 867 443	dummy cover entry light		X	



Audi

ETKA

Model	Year	MG	SG	Illustration	Restrictions	UPD	23:29	07.03.2012
A4	2006	8	67	867-40		895		

Pos	Part Number	Description	Remark	Qty	Model
(1)	8E0 867 303 AF	door panel trim (leather)	left	1	
	11/04-06/08SYS	agate grey/light platinum	-NQ, NZ		
	11/04-06/08SYT	kamut beige/torrone (beige)	-NR		
	11/04-06/08SYU	indigo blue	-MF		
	11/04-06/08SYV	soul (black)	-NK, NY, QP		
(1)	8E0 867 303 AQ	door panel trim (leather) for models with roller blind	left	1	
	11/04-06/08SYS	agate grey/light platinum	-NQ, NZ		
	11/04-06/08SYT	kamut beige/torrone (beige)	-NR		
	11/04-06/08SYU	indigo blue	-MF		
	11/04-06/08SYV	soul (black)	-NK, NY, QP		
(1)	8E0 867 304 AF	door panel trim (leather)	right	1	
	11/04-06/08SYS	agate grey/light platinum	-NQ, NZ		
	11/04-06/08SYT	kamut beige/torrone (beige)	-NR		
	11/04-06/08SYU	indigo blue	-MF		
	11/04-06/08SYV	soul (black)	-NK, NY, QP		
(1)	8E0 867 304 AQ	door panel trim (leather) for models with roller blind	right	1	
	11/04-06/08SYS	agate grey/light platinum	-NQ, NZ		
	11/04-06/08SYT	kamut beige/torrone (beige)	-NR		
	11/04-06/08SYU	indigo blue	-MF		
	11/04-06/08SYV	soul (black)	-NK, NY, QP		
		door trim (alcantara) use if required: rework if necessary	rear 8E0 867 443		PR-N7U
-	8E0 867 443	dummy cover entry light		X	
(1)	8E0 867 303 AC	door trim (alcantara)	left	1	
	11/04-06/08SYH	agate grey/light platinum	-NQ		
	11/04-06/0825M	soul (black)	-NK		



Audi

ETKA

Model	Year	MG	SG	Illustration	Restrictions	UPD	23:29	07.03.2012
A4	2006	8	67	867-40		895		

Pos	Part Number	Description	Remark	Qty	Model
(1)	8E0 867 303 AM	door trim (alcantara) for models with roller blind	left	1	
	11/04-06/08SYH	agate grey/light platinum	-NQ		
	11/04-06/0825M	soul (black)	-NK		
(1)	8E0 867 304 AC	door trim (alcantara)	right	1	
	11/04-06/08SYH	agate grey/light platinum	-NQ		
	11/04-06/0825M	soul (black)	-NK		
(1)	8E0 867 304 AM	door trim (alcantara) for models with roller blind	right	1	
	11/04-06/08SYH	agate grey/light platinum	-NQ		
	11/04-06/0825M	soul (black)	-NK		
		door panel trim (leather)	rear		S4+PR-N7U, N5L
		use if required: rework if necessary	8E0 867 443		
-	8E0 867 443	dummy cover entry light		X	
(1)	8E0 867 303 AD	door panel trim (leather)	left	1	
	11/04-06/0873G	soul (black)			
(1)	8E0 867 303 AN	door panel trim (leather) for models with roller blind	left	1	
	11/04-06/0873G	soul (black)			
(1)	8E0 867 304 AD	door panel trim (leather)	right	1	
	11/04-06/0873G	soul (black)			
(1)	8E0 867 304 AN	door panel trim (leather) for models with roller blind	right	1	
	11/04-06/0873G	soul (black)			
		door panel trim (leather)	rear		S4+PR-N1U
		use if required: rework if necessary	8E0 867 443		
-	8E0 867 443	dummy cover entry light		X	



Audi

ETKA

Model	Year	MG	SG	Illustration	Restrictions	UPD	23:29	07.03.2012
A4	2006	8	67	867-40		895		

Pos	Part Number	Description	Remark	Qty	Model
(1)	8E0 867 303 AE 11/04-06/0886R	door panel trim (leather) soul (black)	left -ZM, ZU, ZV	1	
(1)	8E0 867 303 AP 11/04-06/0886R	door panel trim (leather) for models with roller blind soul (black)	left	1	
(1)	8E0 867 304 AE 11/04-06/0886R	door panel trim (leather) soul (black)	right -ZM, ZU, ZV	1	
(1)	8E0 867 304 AP 11/04-06/0886R	door panel trim (leather) for models with roller blind soul (black)	right	1	
		door panel trim (leather) use if required: rework if necessary	rear 8E0 867 443		PR-N0S
-	8E0 867 443	dummy cover entry light		X	
(1)	8E0 867 303 BC 06/05-06/08M73	door trim panel (cloth) soul (black)	left -DT	1	
(1)	8E0 867 303 BD 06/05-06/08M73	door trim panel (cloth) for models with roller blind soul (black)	left -DT	1	
(1)	8E0 867 304 BC 06/05-06/08M73	door trim panel (cloth) soul (black)	right -DT	1	
(1)	8E0 867 304 BD 06/05-06/08M73	door trim panel (cloth) for models with roller blind soul (black)	right -DT	1	
		individual parts door trim panels	rear		
-	8E0 867 443	dummy cover entry light		X	
(2)	8E0 867 419 Q 11/04-07/05WW4	trim insert brushed aluminium	left grey	1	PR-5MU



Audi

ETKA

Model	Year	MG	SG	Illustration	Restrictions	UPD	23:29	07.03.2012
A4	2006	8	67	867-40		895		

Pos	Part Number	Description	Remark	Qty	Model
	08/05-06/08Q88	brushed aluminium	light grey		
2	8E0 867 419 M	trim insert	left	1	PR-5TL
	11/04-06/087Z9	jet black			
(2)	8E0 867 419 R	trim insert	left	1	PR-5TE
	11/04-06/0825W	alum-silver			
(2)	8E0 867 419 H	trim insert	left	1	PR-5TG
	11/04-06/081NK	aluminium brushed silver			
(2)	8E0 867 419 C	trim insert	left	1	PR-5MG
	11/04-06/081WV	nut tree brown			
(2)	8E0 867 419 N	trim insert	left	1	PR-5TZ
	11/04-06/083J3	grey birch grain			
(2)	8E0 867 419 S	trim insert	left	1	PR-7TC
	11/04-06/087L5	beige - birch grain			
(2)	8E0 867 419 L	trim insert	left	1	PR-5MK
	11/04-06/087V7	carbon			
(2)	8E0 867 420 Q	trim insert	right	1	PR-5MU
	11/04-07/05WW4	brushed aluminium	grey		
	08/05-06/08Q88	brushed aluminium	light grey		
(2)	8E0 867 420 M	trim insert	right	1	PR-5TL
	11/04-06/087Z9	jet black			
(2)	8E0 867 420 R	trim insert	right	1	PR-5TE
	11/04-06/0825W	alum-silver			
(2)	8E0 867 420 H	trim insert	right	1	PR-5TG
	11/04-06/081NK	aluminium brushed silver			
(2)	8E0 867 420 C	trim insert nut tree brown	right	1	PR-5MG
	11/04-06/081WV	nut tree brown			
(2)	8E0 867 420 N	trim insert	right	1	PR-5TZ
	11/04-06/083J3	grey birch grain			
(2)	8E0 867 420 S	trim insert	right	1	PR-7TC
	11/04-06/087L5	beige - birch grain			



Audi

ETKA

Model	Year	MG	SG	Illustration	Restrictions	UPD	23:29	07.03.2012
A4	2006	8	67	867-40		895		

Pos	Part Number	Description	Remark	Qty	Model
(2)	8E0 867 420 L	trim insert	right	1	PR-5MK
	11/04-06/087V7	carbon			
3	4A0 853 107	clip		X	
4	8E0 867 329	adapter window crank	left	1	
	11/04-06/08E82	platinum	-NQ, NZ		
	11/04-06/087A2	indigo blue	-MF, NW		
	11/04-06/087PE	soul (black)	-NK, NM, NX, NY, DT, QE, QF, QL, QU, QW, QX, QY, QF		
	11/04-06/088Q9	torrone (beige)	-NR		
(4)	8E0 867 330	adapter window crank	right	1	
	11/04-06/08E82	platinum	-NQ, NZ		
	11/04-06/087A2	indigo blue	-MF, NW		
	11/04-06/087PE	soul (black)	-NK, NM, NX, NY, DT, QE, QF, QL, QU, QW, QX, QY, QF		
	11/04-06/088Q9	torrone (beige)	-NR		
5	8E0 867 373	pull handle armrest	left	1	
	11/04-06/08W23	platinum	-NQ, NZ		
	11/04-06/0824A	soul (black)	-NK, NM, NX, NY, DT, QE, QF, QL, QU, QW, QX, QY, QZ, ZM, ZR, ZU, ZV, QF		
	11/04-06/086H7	indigo blue	-MF, NW		
	11/04-06/089D6	torrone (beige)	-NR		
(5)	8E0 867 374	pull handle armrest	right	1	
	11/04-06/08W23	platinum	-NQ, NZ		
	11/04-06/0824A	soul (black)	-NK, NM, NX, NY, DT, QE, QF, QL, QU, QW, QX, QY, QZ, ZM, ZR, ZU, ZV, QF		



Audi

ETKA

Model	Year	MG	SG	Illustration	Restrictions	UPD	23:29	07.03.2012
A4	2006	8	67	867-40		895		

Pos	Part Number	Description	Remark	Qty	Model
(6)	11/04-06/086H7	indigo blue	-MF, NW	1	
	11/04-06/089D6	torrone (beige)	-NR		
	8E0 868 393 B	handle shell for vehicles with manually operated windows	left		
	11/04-06/087PE	soul (black) to use for: also use: observe workshop manual - paints	-NQ, NZ light platinum LLS MAX EC3 A1		
	11/04-06/087PE	soul (black) to use for: also use: observe workshop manual - paints	-MF, NW indigo blue LLS MAX 4D9 A1		
	11/04-06/087PE	soul (black)	-NK, NM, NX, NY, DT, QE, QF, QL, QU, QW, QX, QY, QF		
6	11/04-06/088Q9	torrone (beige)	-NR	1	
	8E0 868 393 A	handle shell for models with electrically operated windows	left		
	11/04-06/087PE	soul (black) to use for: also use: observe workshop manual - paints	-NQ, NZ light platinum LLS MAX EC3 A1		
	11/04-06/087PE	soul (black) to use for: also use: observe workshop manual - paints	-MF, NW indigo blue LLS MAX 4D9 A1		
	11/04-06/087PE	soul (black)	-NK, NM, NX, NY, DT, QE, QF, QL, QU, QW, QX, QY, QZ, ZM, ZR, ZU, ZV, QF		
	11/04-06/088Q9	torrone (beige)	-NR		
(6)	8E0 868 394 B	handle shell for vehicles with manually operated windows	right	1	
	11/04-06/087PE	soul (black) to use for: also use: observe workshop manual - paints	-NQ, NZ light platinum LLS MAX EC3 A1		



Audi

ETKA

Model	Year	MG	SG	Illustration	Restrictions	UPD	23:29	07.03.2012
A4	2006	8	67	867-40		895		

Pos	Part Number	Description	Remark	Qty	Model
	11/04-06/087PE	soul (black) to use for: also use: observe workshop manual - paints	-MF, NW indigo blue LLS MAX 4D9 A1		
	11/04-06/087PE	soul (black)	-NK, NM, NX, NY, DT, QE, QF, QL, QU, QW, QX, QY, QF		
	11/04-06/088Q9	torrone (beige)	-NR		
(6)	8E0 868 394 A	handle shell for models with electrically operated windows	right	1	
	11/04-06/087PE	soul (black) to use for: also use: observe workshop manual - paints	-NQ, NZ light platinum LLS MAX EC3 A1		
	11/04-06/087PE	soul (black) to use for: also use: observe workshop manual - paints	-MF, NW indigo blue LLS MAX 4D9 A1		
	11/04-06/087PE	soul (black)	-NK, NM, NX, NY, DT, QE, QF, QL, QU, QW, QX, QY, QZ, ZM, ZR, ZU, ZV, QF		
	11/04-06/088Q9	torrone (beige)	-NR		
-	LLS MAX EC3 A1	2-pack interior soft coat	light platinum	X	
-	LLS MAX 4D9 A1	2-pack interior soft coat	indigo blue	X	
7		cover see illustration: item:	857-40 17		
16	8E0 868 243	clip		10	
17	8E0 867 276	clip		4	
(21)	WHT 002 147	speed nut	4, 2X25X21	2	
(21)	N 902 577 03	speed nut	4, 2	6	
25	N 910 383 01	expanding nut	4, 8X19, 1	2	
27	N 901 576 02	oval head panel screw	B4, 2X45	2	
28	N 090 255 3	oval head panel screw (combi)	4, 2X22	8	



Audi

ETKA

Model	Year	MG	SG	Illustration	Restrictions	UPD	23:29	07.03.2012
A4	2006	8	67	867-40		895		

Pos	Part Number	Description	Remark	Qty	Model
33		door warning light rear light reflector see illustration:	947-10		
34	4F0 868 819	bungs		2	
	11/04-06/08E59	light platinum (grey)	-NQ, NZ		
	11/04-06/084PK	soul (black)	-NK, NM, NX, NY, DT, QE, QP, QL, QU, QW, QX, QY, QZ, ZM, ZR, ZU, ZV, QF		
	11/04-06/086G6	indigo blue	-MF, NW		
	11/04-06/088X5	torrone (beige)	-NR		
(37)	8E0 863 981 B	sound abs. for door trim panel	left	1	
(37)	8E0 863 982 B	sound abs. for door trim panel	right	1	
40	8E0 868 647	seal treble speaker		1	PR-8RA, 8RE
	11/04-06/084PK	soul (black)		1	
42	8E0 867 415	seal	left front	1	
(42)	8E0 867 416	seal	right front	1	
(42)	8E0 867 369 B	seal	left rear		
(42)	8E0 867 370 B	seal	right rear		
(43)	8E0 868 381 A	seal	left	1	
43	8E0 868 382 A	seal	right	1	
45	8E0 035 435	loudspeaker trim	left	1	
	11/04-06/08E59	platinum	-NQ, NZ		
	11/04-06/084PK	soul (black)	-NK, NM, NX, NY, DT, QE, QP, QL, QU, QW, QX, QY, QZ, ZM, ZR, ZU, ZV, QF		
	11/04-06/086G6	indigo blue	-MF, NW		
	11/04-06/088X5	torrone (beige)	-NR		
(45)	8E0 035 435 A	loudspeaker trim for vehicles with bose sound system	left	1	
	11/04-06/08E59	platinum	-NQ, NW		



Audi

ETKA

Model	Year	MG	SG	Illustration	Restrictions	UPD	23:29	07.03.2012
A4	2006	8	67	867-40		895		

Pos	Part Number	Description	Remark	Qty	Model
	11/04-06/084PK	soul (black)	-NK, NM, NX, NY, DT, QE, QP, QL, QU, QW, QX, QY, QZ, ZM, ZR, ZU, ZV, QF		
	11/04-06/086G6	indigo blue	-MF, NW		
	11/04-06/088X5	torrone (beige)	-NR		
(45)	8E0 035 436	loudspeaker trim	right	1	
	11/04-06/08E59	platinum	-NQ, NZ		
	11/04-06/084PK	soul (black)	-NK, NM, NX, NY, DT, QE, QP, QL, QU, QW, QX, QY, QZ, ZM, ZR, ZU, ZV, QF		
	11/04-06/086G6	indigo blue	-MF, NW		
	11/04-06/088X5	torrone (beige)	-NR		
(45)	8E0 035 436 A	loudspeaker trim for vehicles with bose sound system	right	1	
	11/04-06/08E59	platinum	-NQ, NZ		
	11/04-06/084PK	soul (black)	-NK, NM, NX, NY, DT, QE, QP, QL, QU, QW, QX, QY, QZ, ZM, ZR, ZU, ZV, QF		
	11/04-06/086G6	indigo blue	-MF, NW		
	11/04-06/088X5	torrone (beige)	-NR		
46	8E0 863 983	insulation for loudspeaker		2	PR-8RA, 8RE
47	8E0 035 793	loudspeaker trim	left	1	PR-3Y0
	11/04-06/081DH	agate grey	-NQ, NZ		
	11/04-06/081GK	kamut beige	-NR		
	11/04-06/085PR	soul (black)	-NK, NM, NX, NY, DT, QE, QP, QL, QU, QW, QX, QY, QZ, ZM, ZR, ZU, ZV, QF		
	11/04-06/086E5	indigo	-MF, NW		
(47)	8E0 035 793 A	loudspeaker trim	left	1	PR-3Y4, 3Y5
	11/04-06/081DH	agate grey	-NQ, NZ		



Audi

ETKA

Model	Year	MG	SG	Illustration	Restrictions	UPD	23:29	07.03.2012
A4	2006	8	67	867-40		895		

Pos	Part Number	Description	Remark	Qty	Model
	11/04-06/081GK	kamut beige	-NR		
	11/04-06/085PR	soul (black)	-NK, NM, NX, NY, DT, QE, QF, QL, QU, QW, QX, QY, QZ, ZM, ZR, ZU, ZV, QF		
	11/04-06/086E5	indigo	-MF, NW		
(47)	8E0 035 794	loudspeaker trim	right	1	PR-3Y0
	11/04-06/081DH	agate grey	-NQ, NZ		
	11/04-06/081GK	kamut beige	-NR		
	11/04-06/085PR	soul (black)	-NK, NM, NX, NY, DT, QE, QF, QL, QU, QW, QX, QY, QZ, ZM, ZR, ZU, ZV, QF		
	11/04-06/086E5	indigo	-MF, NW		
(47)	8E0 035 794 A	loudspeaker trim	right	1	PR-3Y4, 3Y5
	11/04-06/081DH	agate grey	-NQ, NZ		
	11/04-06/081GK	kamut beige	-NR		
	11/04-06/085PR	soul (black)	-NK, NM, NX, NY, DT, QE, QF, QL, QU, QW, ZM, ZR, ZU, ZV, QZ, QF		
	11/04-06/086E5	indigo	-MF, NW		