

Components used to control and regulate air conditioner (in passenger compartment)

Components used to control and regulate air conditioner (in passenger compartment)

Notes:

- Servicing work on refrigerant circuit => Page [87-169](#).
- Perform the following work on completion of repair operations:
Interrogate fault memory => Page [01-101](#)
- Testing cooling capacity => Page [87-154](#).
- Electrical test on all components marked 1) => from Page [01-185](#) onwards.
- All components marked 2) are actuated in final control diagnosis => Page [01-70](#).
- The windscreen (defroster) vents can only be replaced after the dash panel has been removed (separate the dash panel from the dash panel cross member).

=> [General Body Repairs, Interior; Repair Group 70](#)

1. Air conditioner kick-down switch -F46

- Not installed in all vehicles
- Kick-down deactivation without kick-down switch - F46 via engine control unit or automatic gearbox control unit
- No longer fitted in vehicles with operating and display units - E87 with part numbers from index "M" onwards

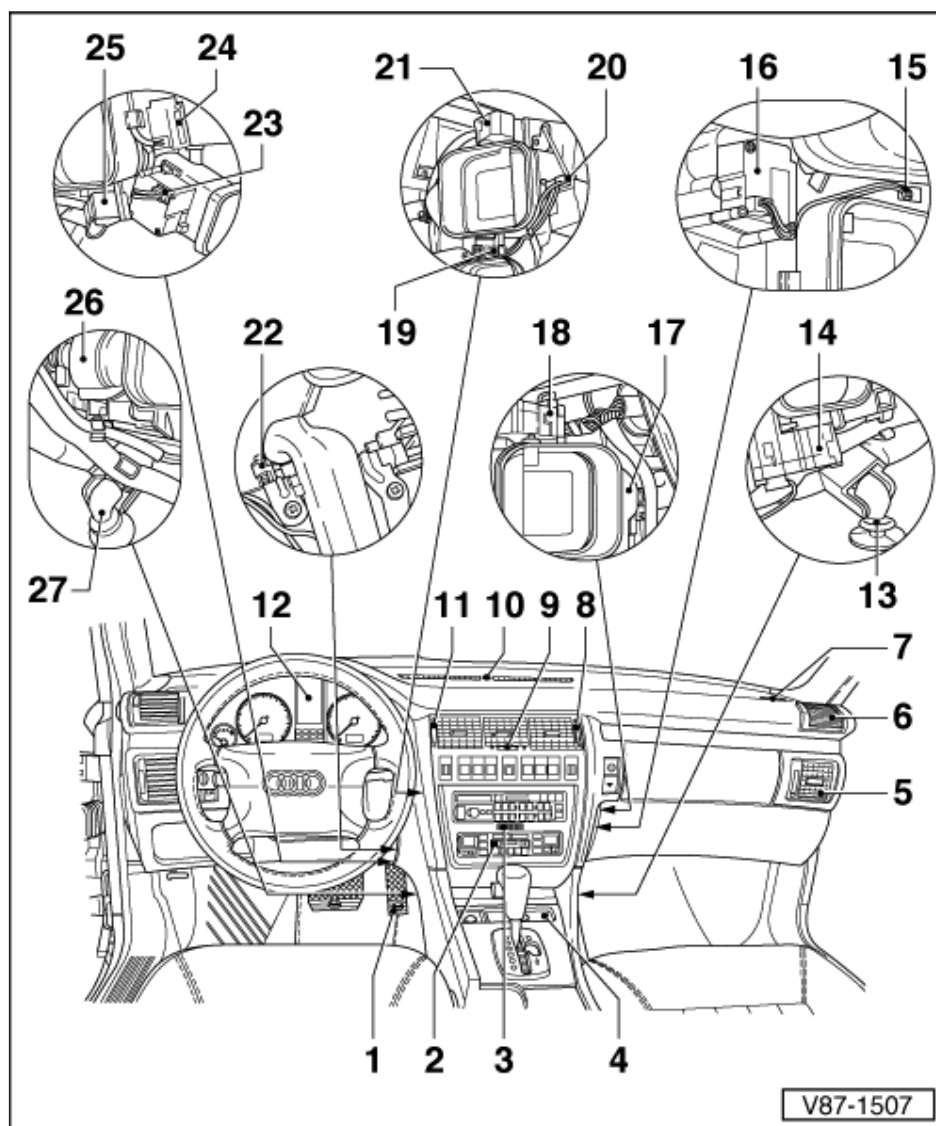
=> Current Flow Diagrams, Electrical Fault-finding and Fitting Locations binder

2. Operating and display unit -E87

- Assignment => Page [87-96](#)

=> Parts List

- Removing and installing=>Page [87-96](#)
- Checking code and encoding => Page [01-106](#)
- Replacing bulbs=> Page [87-105](#)



3. Fresh air intake duct temperature sensor -G56 1)

- Removing and installing
=> Page [87-128](#)
- Fitted in -E87 in vehicles with operating and display units -E87 with part numbers from index "M" onwards

4. Diagnostic connector

5. Dash panel vent

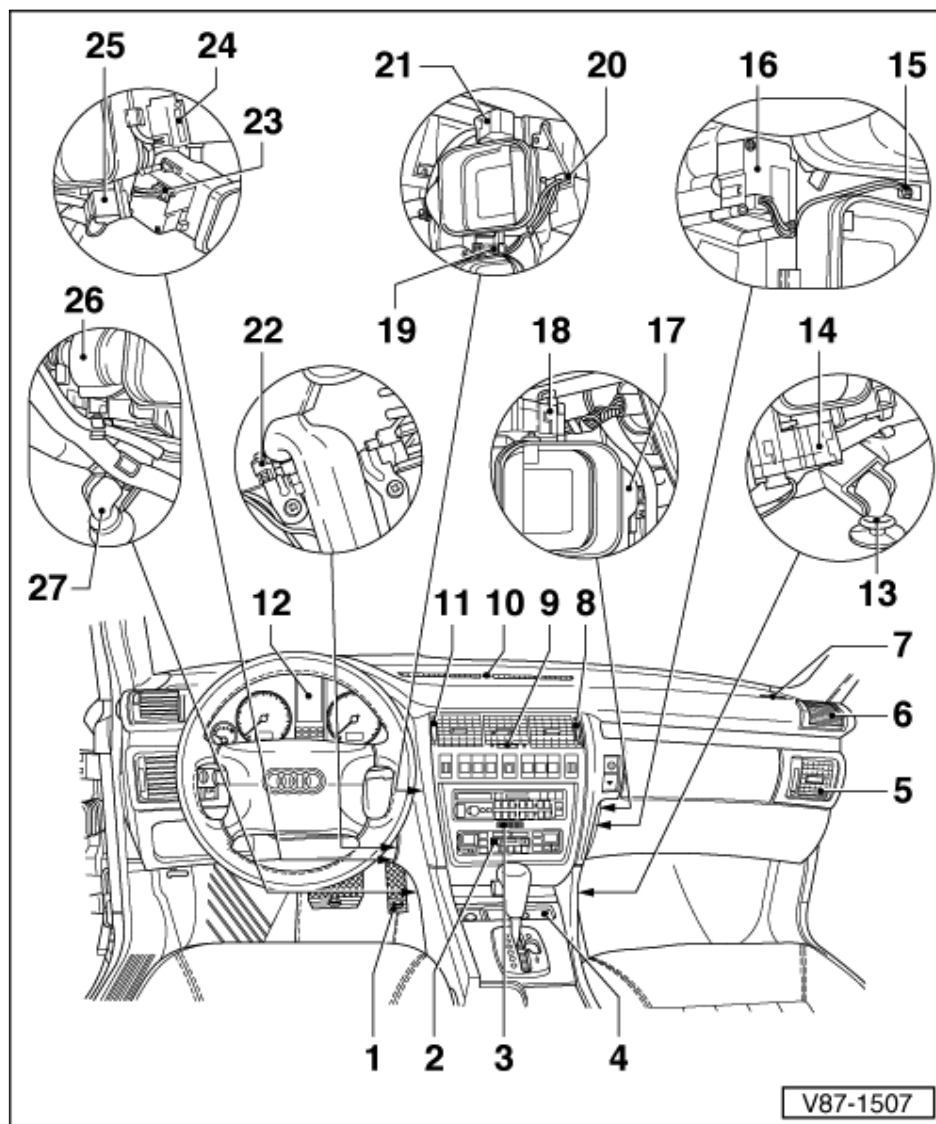
- Bottom left and right
- Removing and installing
=> Page [87-108](#)

6. Dash panel vent

- Top left and right
- Removing and installing
=> Page [87-107](#)

7. Defroster vent

- For left and right side window
- Removing and installing
=> Page [87-107](#)



8. Centre right vent switch -F184 1)

- Removing and installing vent
=> Page [87-106](#)

9. Potentiometer in centre dash panel vent -G142 1)

- Removing and installing vent
=> Page [87-106](#)

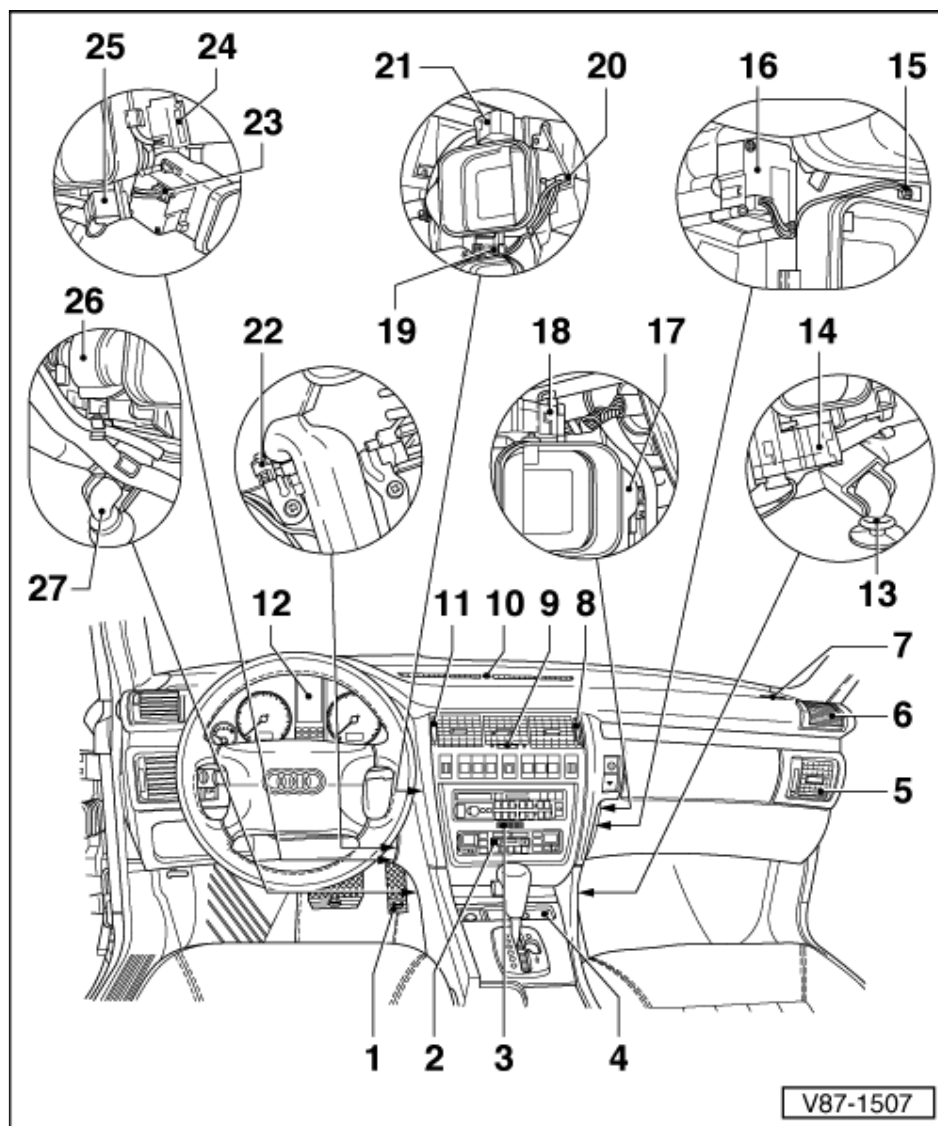
10. Sunlight penetration photosensor -G107 1)

- Removing and installing
=> Page [87-128](#)

11. Centre left vent switch -F184 1)

- Removing and installing vent
=> Page [87-](#)

106



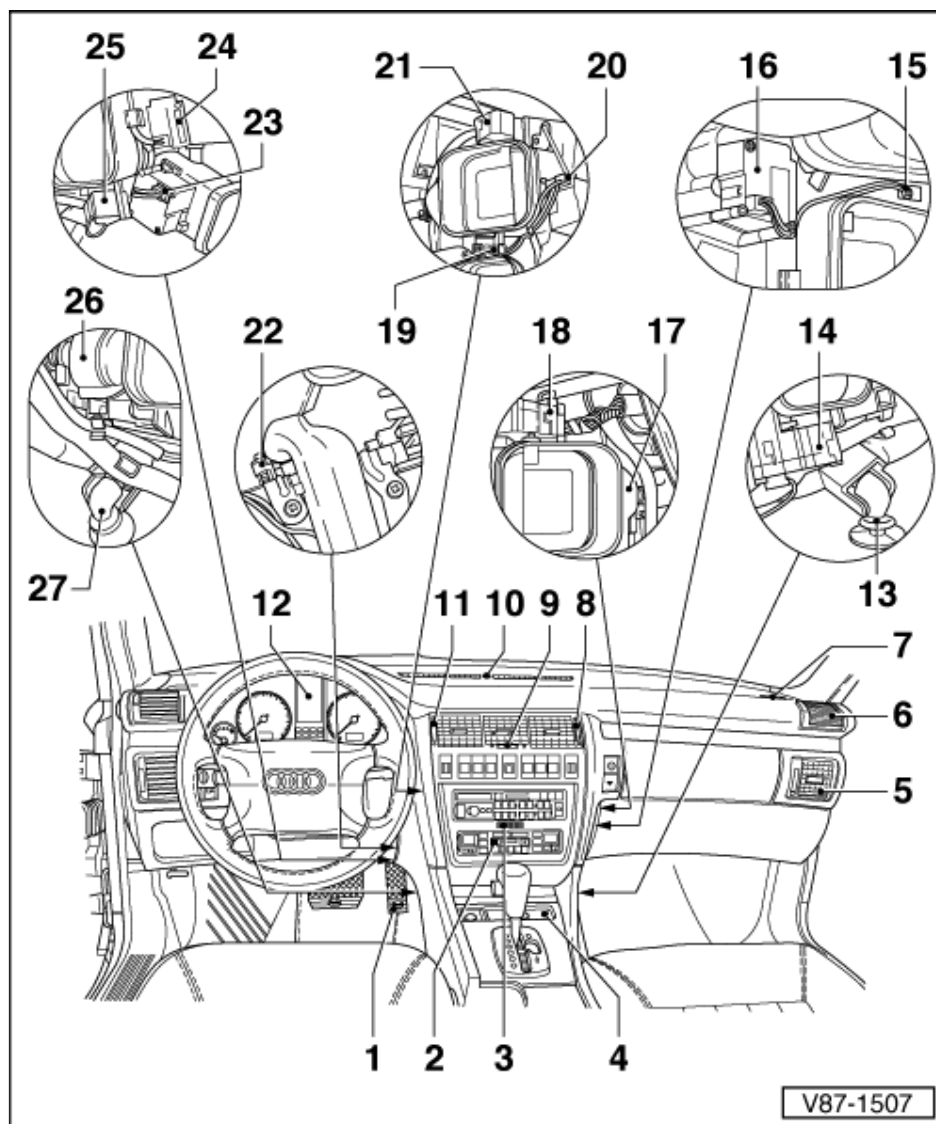
12. Auto-check system

- With ambient temperature indicator -G1062)
- Ambient temperature delivered by operating and display unit - E87 is only indicated on vehicles with automatic gearbox when Drive is engaged
- If temperature indicator is defective, check measured values from temperature sensors=>Page [01-189](#)
- In vehicles with

operating and display unit - E87 with part number from index "M" onwards, displayed temperature is calculated directly in dash panel insert.

13. Condensation drainage hose with valve

- Front passenger's side
- Checking, removing and installing
=> Page [87-109](#)



14. Right footwell flap control motor -V109 2)

- With potentiometer - G140
- Removing and installing
=> Page [87-125](#)

15. Right vent temperature sender -G151 1)

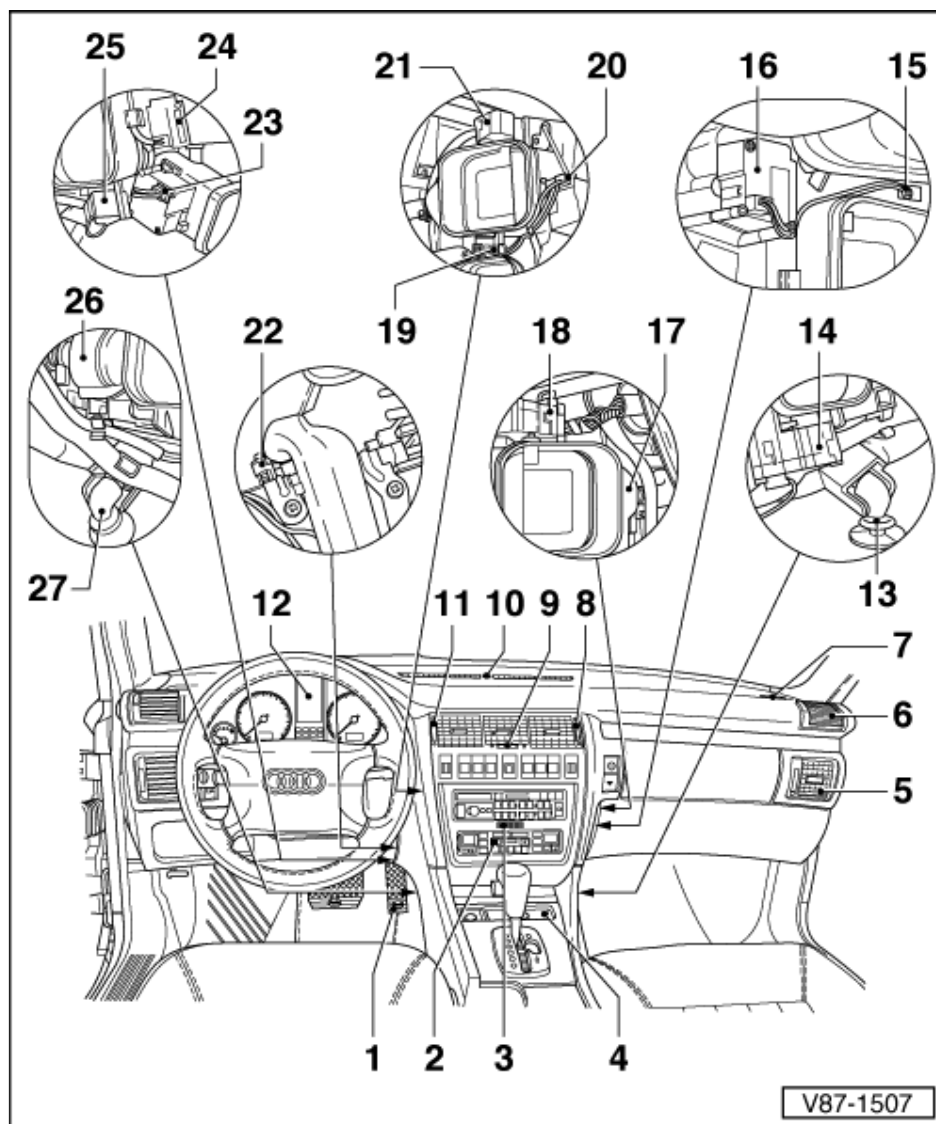
- Testing => Page [01-186](#)
- Removing and installing
=> Page [87-129](#)

16. Temperature flap control motor -V68 2)

- With potentiometer - G92
- Removing and installing

=> Page [87-125](#)**17. Heat exchanger for heater**

- Right
 - Removing and installing
- => Page [87-133](#)

**18. Centre right vent control motor -V111 2)**

- With potentiometer - G137
 - Removing and installing
- => Page [87-116](#)

19. Left vent temperature sender -G150 1)

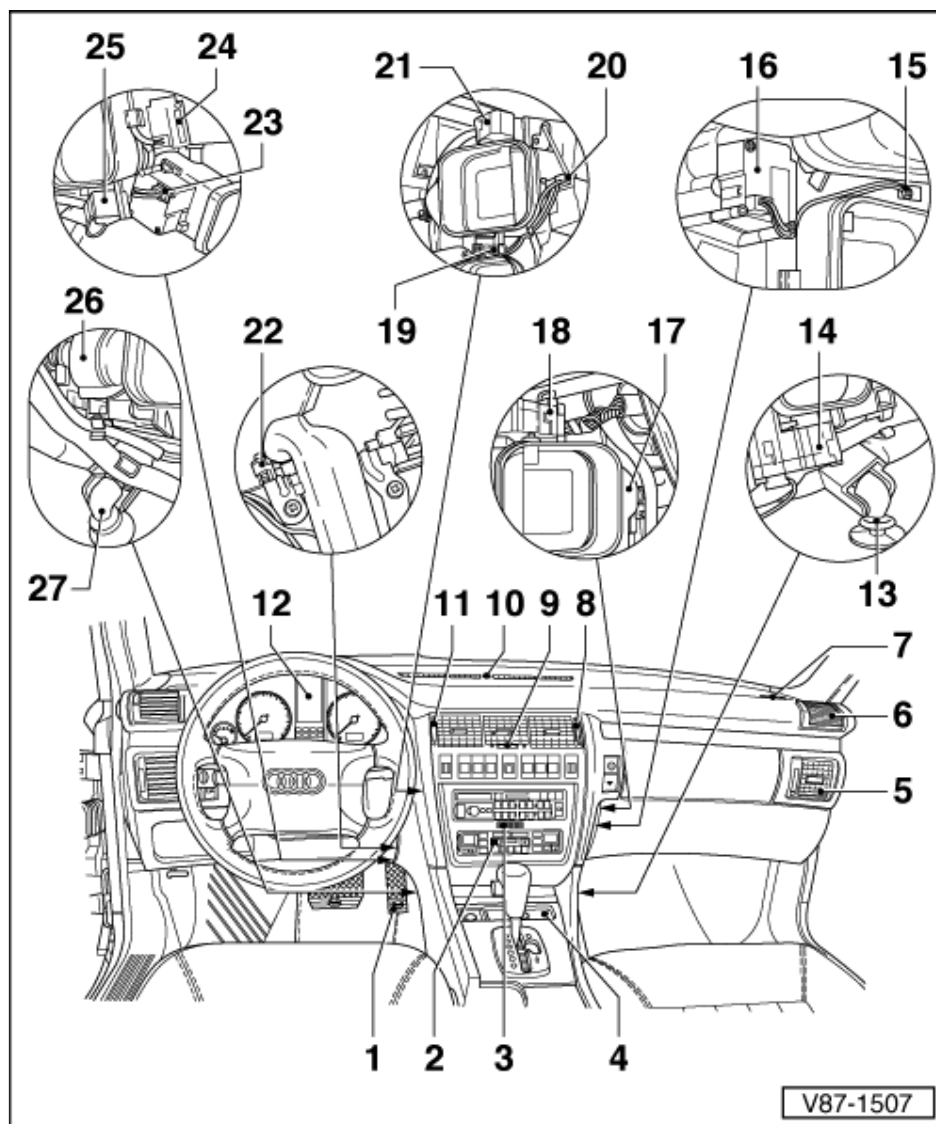
- Testing => Page [01-186](#)
 - Removing and installing
- => Page [87-129](#)

20. Defrost flap control motor -V107 2)

- With potentiometer - G135
- Removing and installing

=> Page [87-119](#)**21. Centre left vent control motor -V110 2)**

- With potentiometer - G136
- Removing and installing => Page [87-116](#)

**22. Temperature sensor blower -V42 2)**

- Removing and installing => Page [87-130](#)
- Fitted in -E87 in vehicles with operating and display units - E87 with part numbers from index "M" onwards

23. Rear footwell vent control motor -V112 2)

- With potentiometer - G141
- Removing and installing => Page [87-122](#)

24. Centre vents control motor -V102 2)

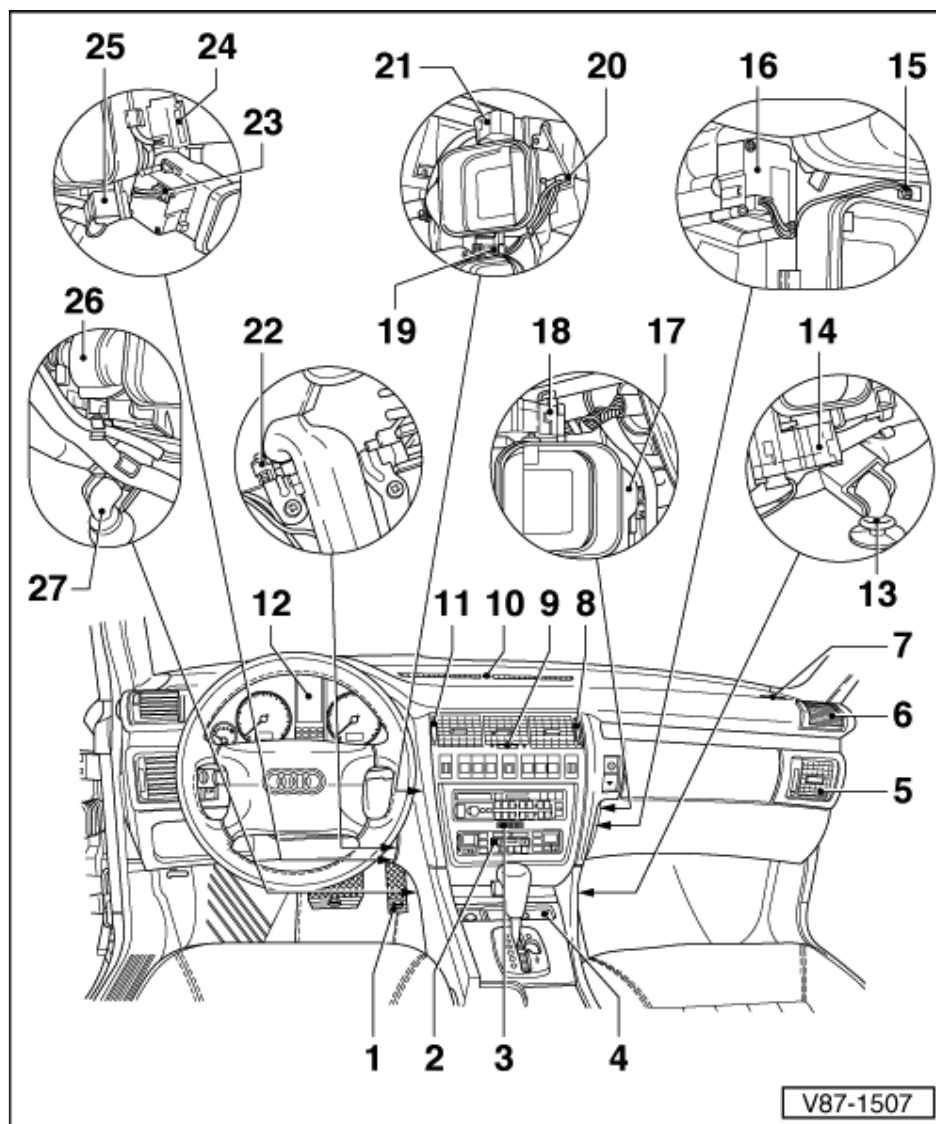
- With

potentiometer -
G138

- Removing and installing
=> Page [87-117](#)

25. Left footwell flap control motor -V108 2)

- With potentiometer - G139
- Removing and installing
=> Page [87-122](#)



26. Heat exchanger for heater

- Left
- Removing and installing
=> Page [87-145](#)

27. Condensation drainage hose with valve

- Driver's side
- Checking, removing and installing
=> Page [87-109](#)

