

Roof trim strip

Removing and installing rear roof trim strip

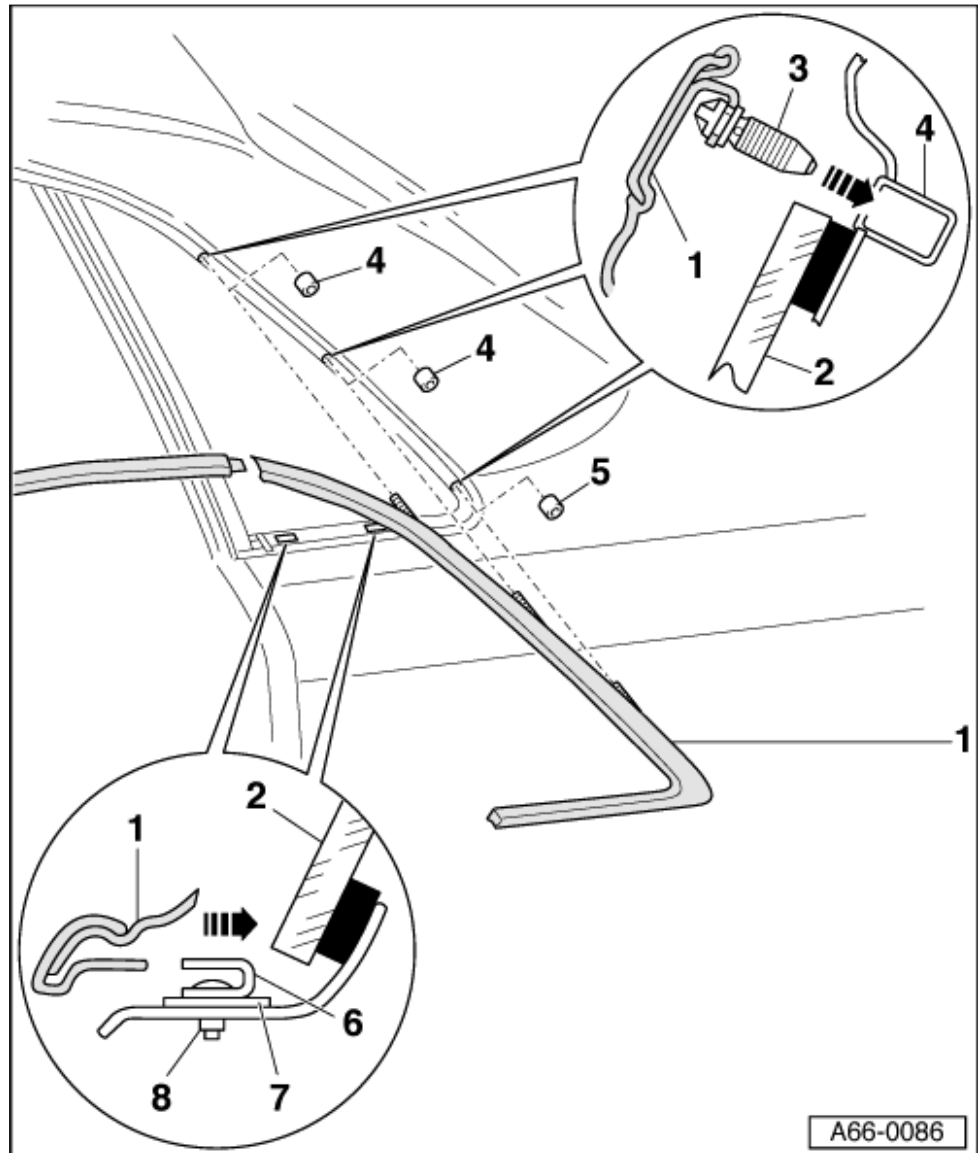
Important
Never twist or bend the roof trim strip, as this causes permanent visible damage.

1. Rear roof trim strip

- Removing:
- Removing D-pillar trim:

=> [General Body Assembly, Interior; Repair group 70; Trim panels; Removing and installing D-pillar trim](#)

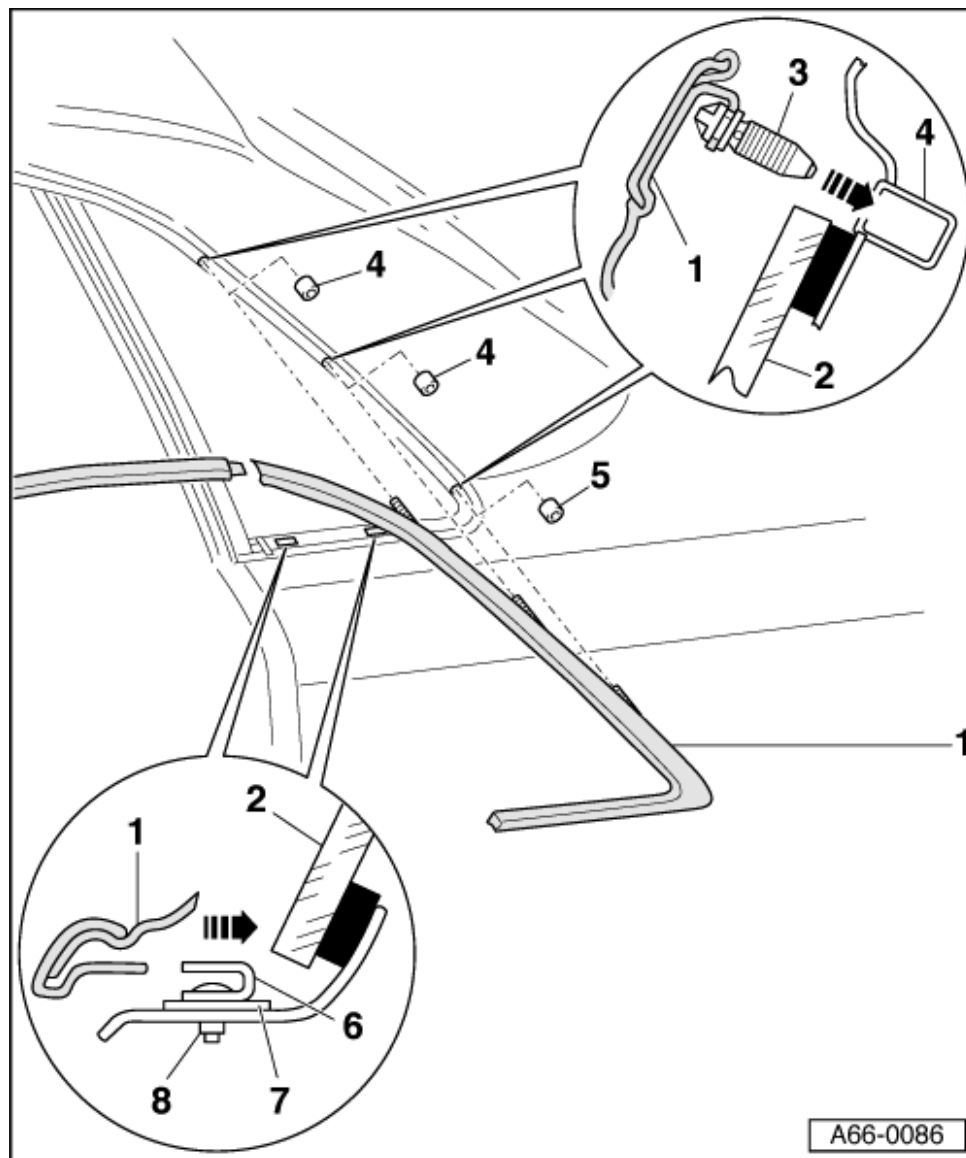
- Unclip roof trim strip at bottom from fasteners - item [6](#)-.



- Press out retaining clip [4](#)-, centre guide pin and finally upper upper guide pin - item [3](#)- from inside vehicle
- Pull roof trim strip off guide pin of roof trim strip at front and detach.
- When installing, re-seal

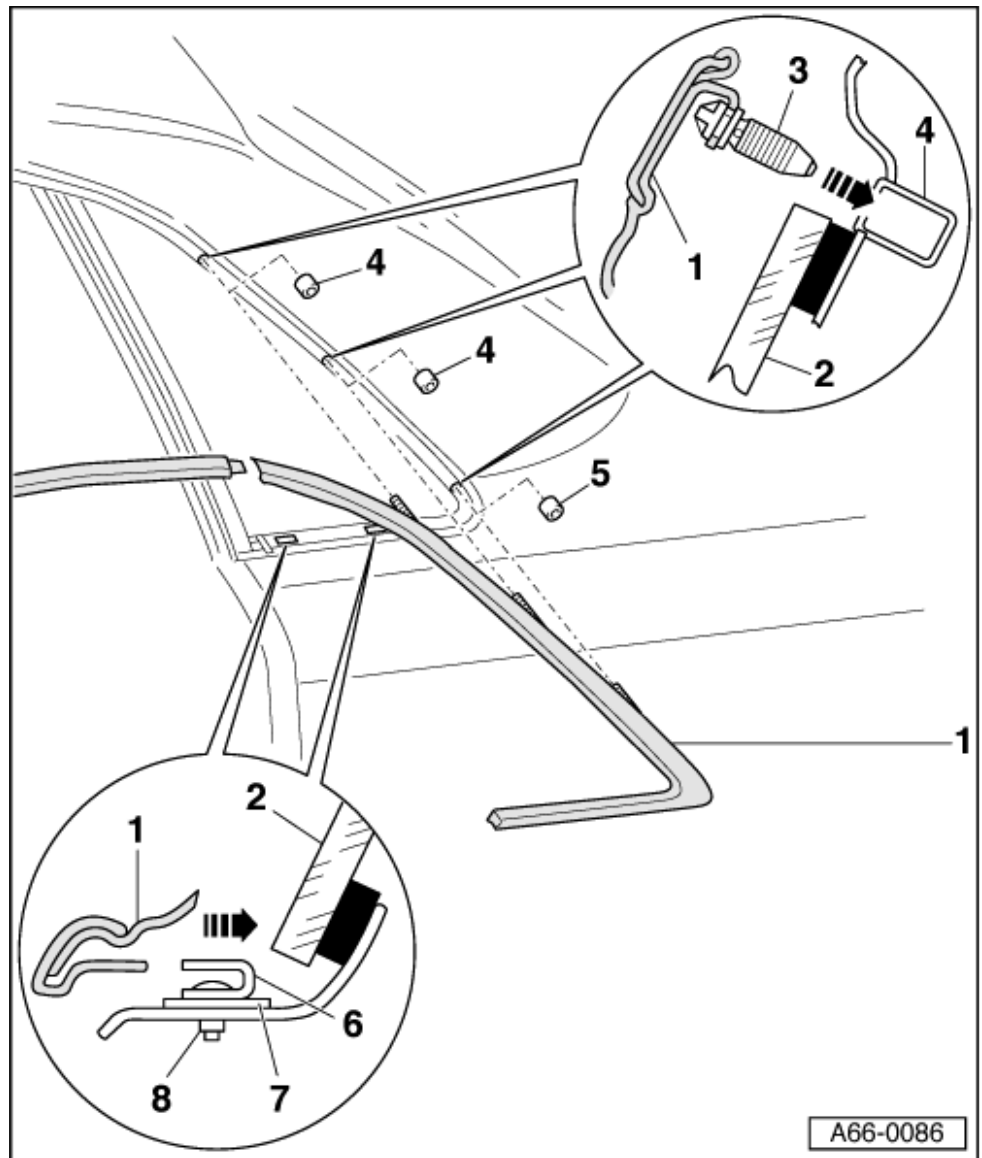
holes for -
items **4** and
5- from
inside.

- 2. Side window**
- 3. Guide pin**
- 4. Retaining clip**
 2 off
- 5. Retaining clip**
 2 off



- 6. Clamp**
 2 off
- 7. Shim plate**
 2 off
- 8. Blind rivet**
 2 off
 Always use genuine rivets to avoid contact corrosion:

=> Parts List



A66-0086