
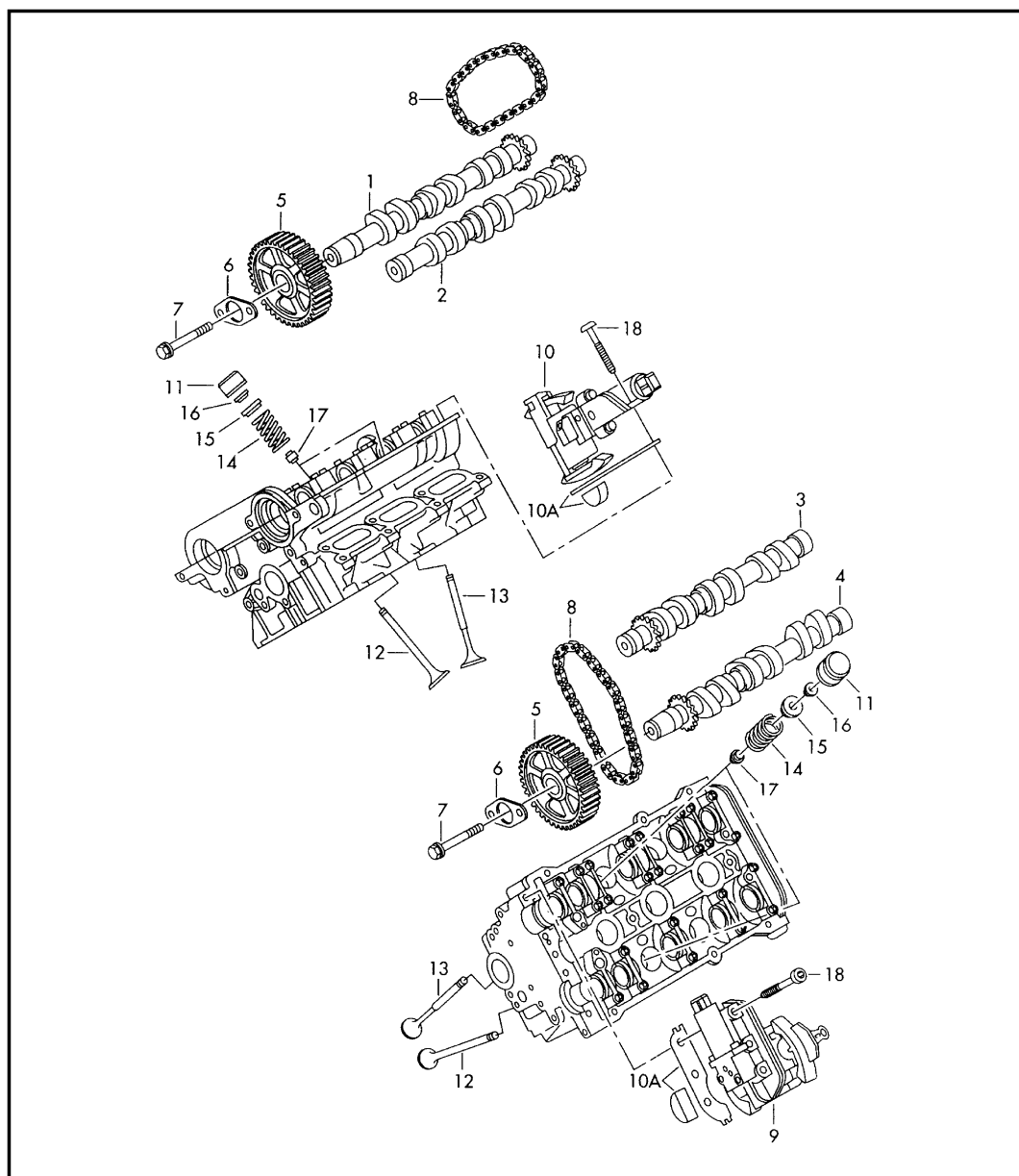
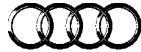


Malli	Vuosi	PR	AR	Kuva	Rajaaminen	UPD	21:58	07.10.2011	 Audi	ETKA
A4Q	1999	1	09	109-40	8D-X-200 001 >>	875				



Kohta	Osanumero	Nimike	Huomautus	Kpl	Malli
		camshaft, valves	2.4-2.8 ltr.		APR,ATX,AQD, AMX,APZ,ARJ, APS,AGB,AZB
1	078 109 022	camshaft	outlet cylinders 1-3	1	
2	078 109 021	camshaft	inlet cylinders 1-3	1	APR,ATX,AQD, AMX
(2)	078 109 021 B	camshaft	inlet cylinders 1-3	1	APZ,ARJ,APS
(2)	078 109 021 M	camshaft	inlet cylinders 1-3	1	AGB,AZB
3	078 109 021 A	camshaft	inlet cylinders 4-6	1	APR,ATX,AQD, AMX
(3)	078 109 021 C	camshaft	inlet cylinders 4-6	1	APZ,ARJ,APS
(3)	078 109 021 N	camshaft	inlet cylinders 4-6	1	AGB,AZB
4	078 109 022 A	camshaft	outlet cylinders 4-6	1	
5	078 109 111 B	toothed belt pulley		2	
6	078 109 149	washer		2	
7	N 906 371 01	hexagon bolt	M10X1X145X45	2	
8	058 109 229 B	camshaft timing chain		2	
(9)	078 109 087 C	camshaft adjuster unit	cylinders 4-6	1	
(10)	078 109 088 E	camshaft adjuster unit	cylinders 1-3	X	
10A	058 198 217	gaskets set: chain tensioner/ camshaft adjuster unit		2	
11	058 109 309 F	tappets	inlet	18	
(11)	058 109 309 E	tappets	outlet	12	
12	058 109 601 C	intake valve	105,1	18	
13	058 109 611 M	exhaust valve	103,9	12	APR,ATX,AQD, AMX,APZ,ARJ, APS
(13)	058 109 611 E	exhaust valve		12	AGB,AZB

Malli	Vuosi	PR	AR	Kuva	Rajaaminen	UPD	21:58	07.10.2011	 ETKA
A4Q	1999	1	09	109-40	8D-X-200 001 >>	875			

Kohta	Osanumero	Nimike	Huomautus	Kpl	Malli	Kohta	Osanumero	Nimike	Huomautus	Kpl	Malli
14	078 109 623 B	spring - valve	outlet	12	APR, ATX, AQD, AMX, APZ, ARJ, APS						
(14)	078 109 623 E	spring - valve	outlet	12	AGB, AZB						
(14)	058 109 633	spring - valve	inlet	18							
15	058 109 641	spring disc	inlet	18							
(15)	058 109 641 B	spring disc	outlet	12							
16	036 109 651 A	cotter, split		60							
(17)	036 109 675 A	seal - valve stem use if required:	6MM 100 109 001 B	30 X							
18	058 103 460 C	socket head bolt with inner multipoint head	M6X40	8							