

Audi A6

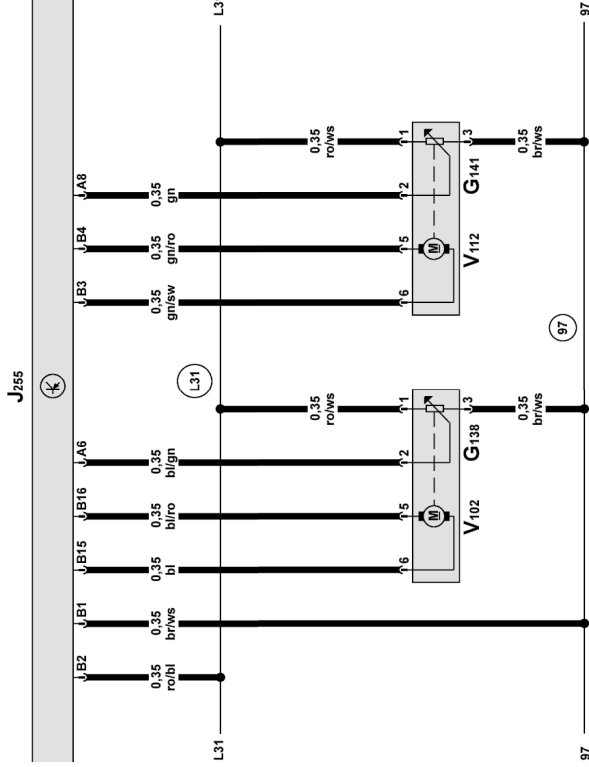
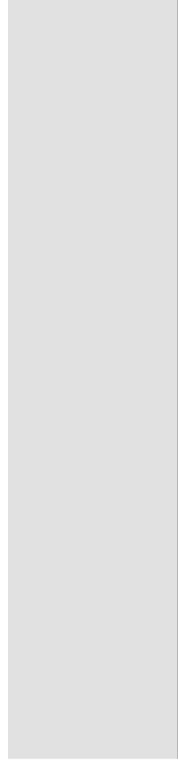
Current Flow Diagram

No. 23 / 9

Climatronic control unit, central vents control motor, rear footwell vent control motor, potentiometer for centre vent control motor, potentiometer for rear footwell vent control motor

- G138 - Central vents control motor potentiometer
- G141 - Potentiometer for rear footwell vent control motor
- J255 - Climatronic control unit
- V102 - Central vents control motor
- V112 - Rear footwell vent control motor
- 97 - Earth connection 1, in air conditioning system wiring harness

L31



- ws = white
- sw = black
- ro = red
- br = brown
- gn = green
- bl = blue
- gr = grey
- li = purple
- ge = yellow
- or = orange
- rs = pink

Audi A6

Current Flow Diagram

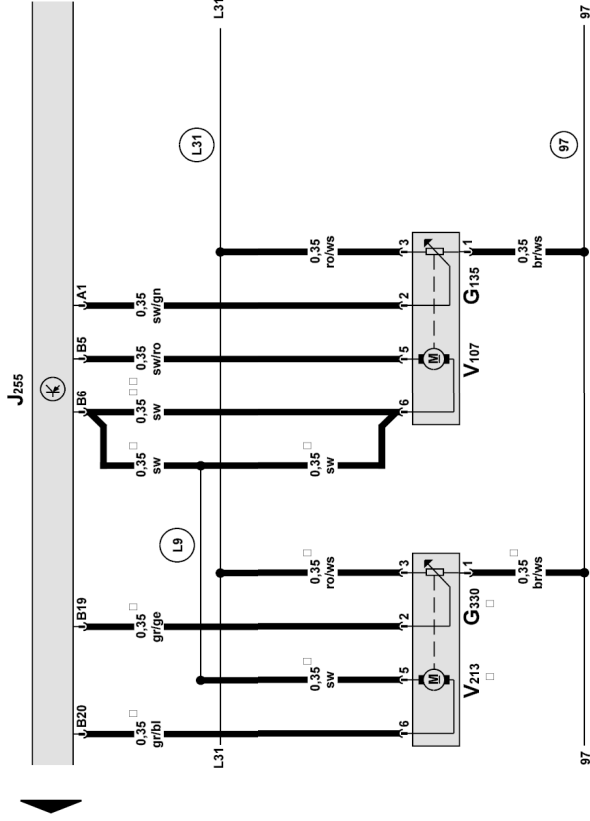
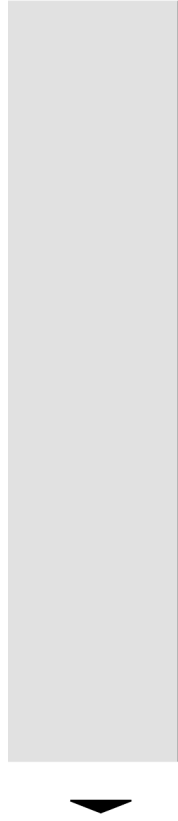
No. 23 / 10

Climatronic control unit, defroster flap control motor, indirect ventilation flap control motor, potentiometer for defroster flap control motor, potentiometer for indirect ventilation flap control motor

- G135 - Defroster flap control motor potentiometer
- G330 - Potentiometer for indirect ventilation flap control motor
- J255 - Climatronic control unit
- V107 - Defroster flap control motor
- V213 - Indirect ventilation flap control motor
- 97 - Earth connection 1, in air conditioning system wiring harness

- L9 - Connection 1, in air conditioning system wiring harness
- L31 - Connection (5V), in air conditioning system wiring harness

- * - convenience equipment only
- ** - basis equipment only



ws = white
 sw = black
 ro = red
 br = brown
 gn = green
 bl = blue
 gr = grey
 li = purple
 ge = yellow
 or = orange
 rs = pink

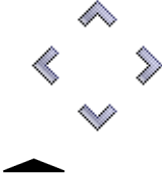
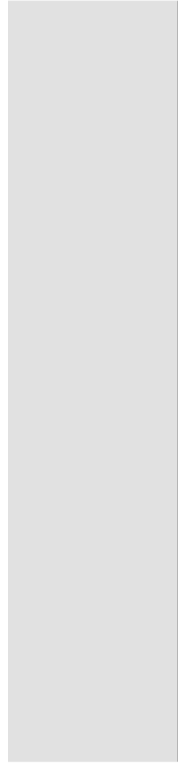
Audi A6

Current Flow Diagram

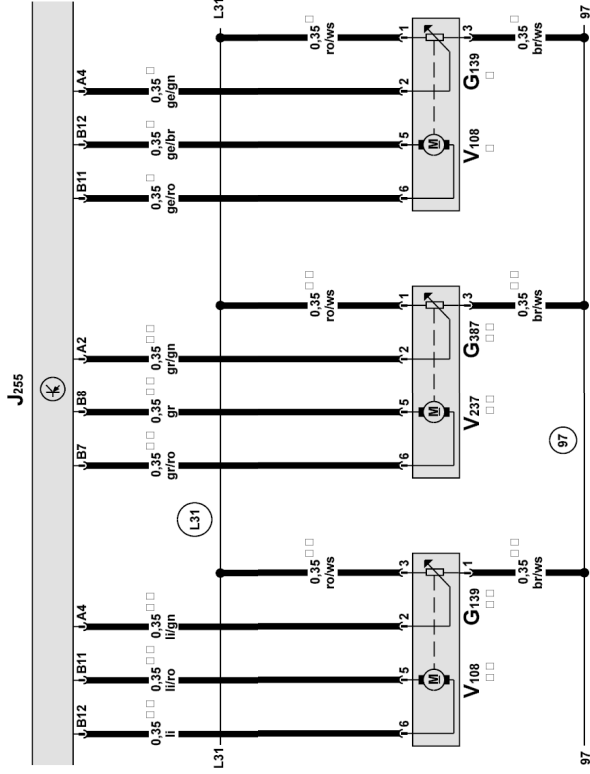
No. 23 / 11

Climatronic control unit, left footwell flap control motor, front left chest vent control motor, potentiometer for left footwell flap control motor, front left chest vent potentiometer

- G139 - Left footwell flap control motor potentiometer
- G387 - Front left chest vent potentiometer
- J255 - Climatronic control unit
- V108 - Left footwell flap control motor
- V237 - Front left chest vent control motor
- 97 - Earth connection 1, in air conditioning system wiring harness



- L31 - Connection (5V), in air conditioning system wiring harness
- * - convenience equipment only
- ** - basis equipment only



- ws = white
- sw = black
- ro = red
- br = brown
- gn = green
- bl = blue
- gr = grey
- li = purple
- ge = yellow
- or = orange
- rs = pink

Audi A6

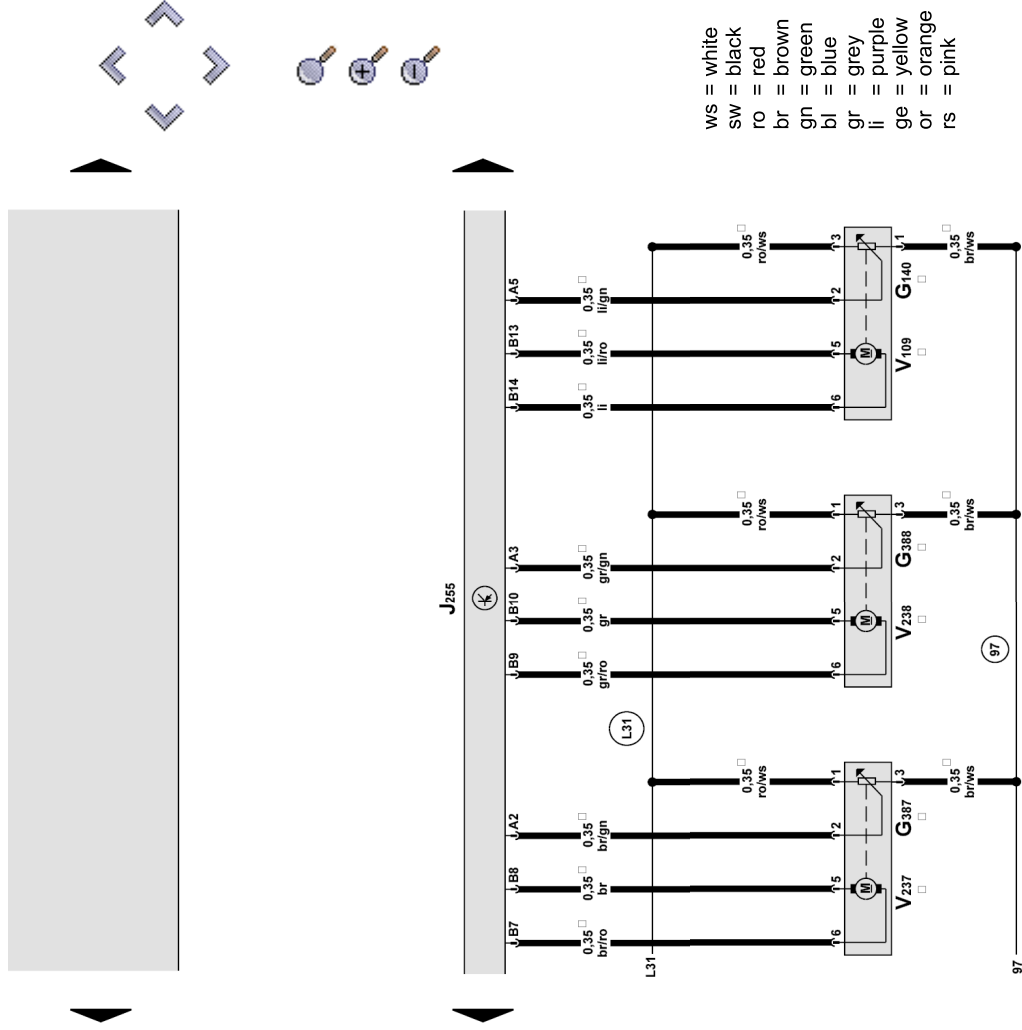
Current Flow Diagram

No. 23 / 12

Climatronic control unit, front left chest vent control motor, front right chest vent control motor, right footwell flap control motor

- G140 - Potentiometer for right footwell flap control motor
- G387 - Front left chest vent potentiometer
- G388 - Front right chest vent potentiometer
- J255 - Climatronic control unit
- V109 - Right footwell flap control motor
- V237 - Front left chest vent control motor
- V238 - Front right chest vent control motor
- 97 - Earth connection 1, in air conditioning system wiring harness

- L31 - Connection (5V), in air conditioning system wiring harness
- * - convenience equipment only



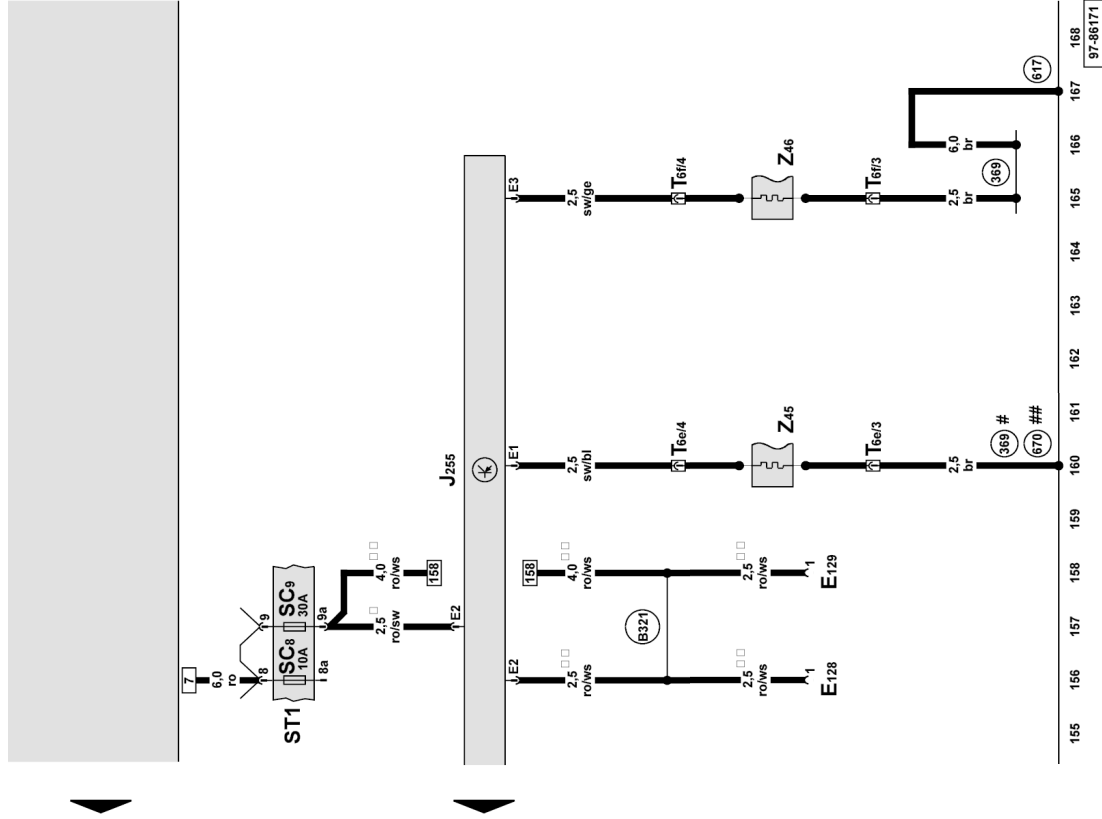
Audi A6

Current Flow Diagram

No. 23 / 13

Climatronic control unit, heated rear left and right seat switch with regulator, front left and right seat heating

- E128 - Heated rear left seat switch with regulator
- E129 - Heated rear right seat switch with regulator
- J255 - Climatronic control unit
- SC8 - Fuse 8 on fuse holder
- SC9 - Fuse 9 on fuse holder
- T6e - 6-pin connector, green, on left of seat cross member
- T6f - 6-pin connector, green, on right of seat cross member
- Z45 - Front left seat heating
- Z46 - Front right seat heating
- 369 - Earth connection 4, in main wiring harness



- ws = white
- sw = black
- ro = red
- br = brown
- gn = green
- bl = blue
- gr = grey
- li = purple
- ge = yellow
- or = orange
- rs = pink

- 617 - Earth point 2, on lower part of right A-pillar
- 670 - Earth point 2, left A-pillar
- B321 - Positive connection 7 (30a), in main wiring harness
- * - heated front seats
- ** - heated front and rear seats
- # - up to October 2005
- ## - from November 2005

155 156 157 158 159 160 161 162 163 164 165 166 167 168 97-86171

Audi A6

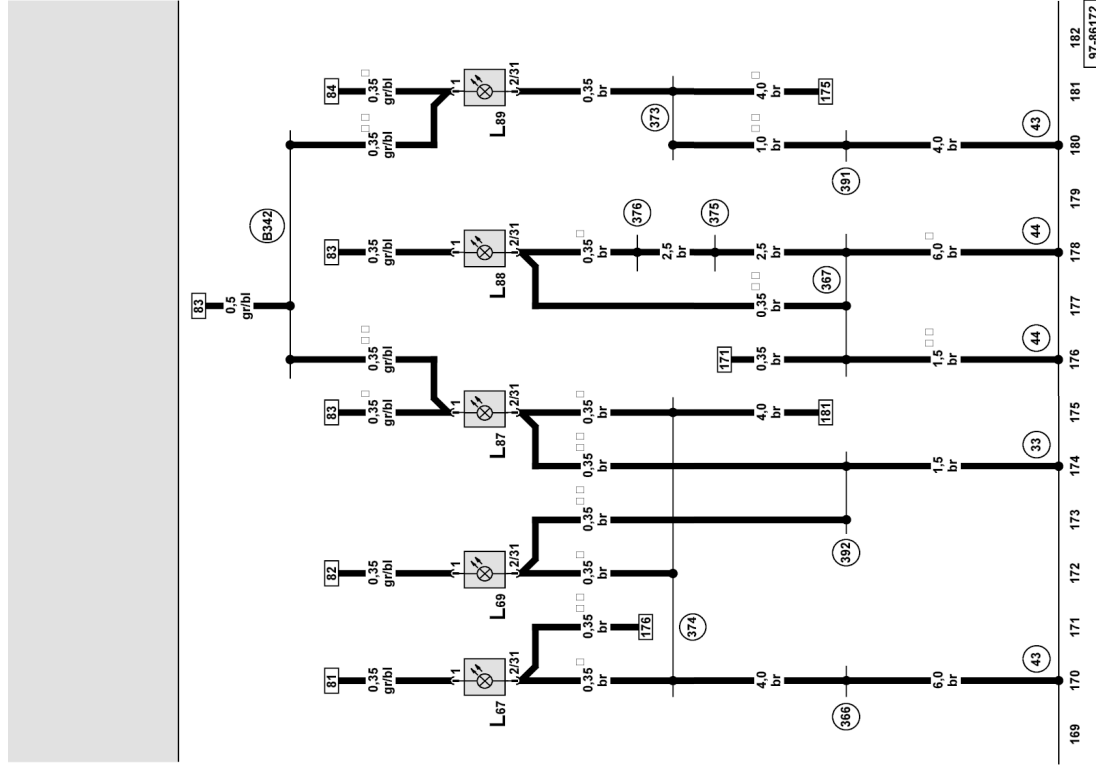
Current Flow Diagram

No. 23 / 14

Dash panel left and right vent illumination bulb, central rear vent illumination bulb

- L67 - Dash panel left vent illumination bulb
- L69 - Dash panel right vent illumination bulb
- L87 - Central rear vent illumination bulb
- L88 - Rear left vent illumination bulb
- L89 - Rear right vent illumination bulb
- 33 - Earth point, on right behind dash panel
- 43 - Earth point, lower part of right A-pillar
- 44 - Earth point, lower part of left A-pillar
- 366 - Earth connection 1, in main wiring harness
- 367 - Earth connection 2, in main wiring harness
- 373 - Earth connection 8, in main wiring harness
- 374 - Earth connection 9, in main wiring harness
- 375 - Earth connection 10, in main wiring harness
- 376 - Earth connection 11, in main wiring harness
- 391 - Earth connection 26, in main wiring harness
- 392 - Earth connection 27, in main wiring harness
- B342 - Connection 3 (58s), in main wiring harness

* - up to October 2005
 ** - from November 2005



ws = white
 sw = black
 ro = red
 br = brown
 gn = green
 bl = blue
 li = grey
 ge = purple
 or = yellow
 rs = pink