

Audi A6

Current Flow Diagram

No. 23 / 1

Edition 08.2008

Air conditioning system

- Basis
- Convenience from model year 2005

Notes:

For information concerning

- ◆ Position of relays and fuses
- ◆ Multi-pin connections
- ◆ Control units and relays
- ◆ Earth connections

→ List of Fitting Locations!

For information concerning

- ◆ Fault Finding Programs
- guided fault finding

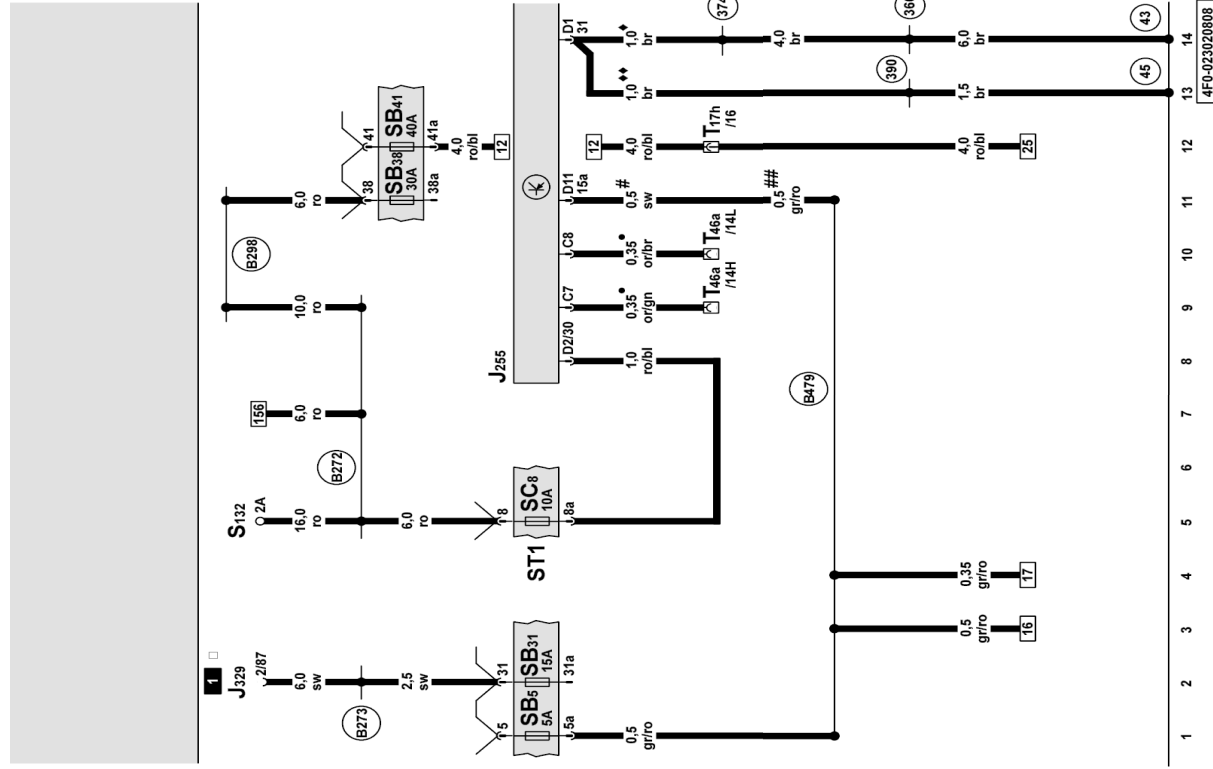
Audi A6

Current Flow Diagram

No. 23 / 2

Climatronic control unit, fuses

- J255 - Climatronic control unit
- J329 - Terminal 15 voltage supply relay
- S132 - Fuse 2
- SB5 - Fuse 5 on fuse holder B
- SB31 - Fuse 31 on fuse holder B
- SB38 - Fuse 38 on fuse holder B
- SB41 - Fuse 41 on fuse holder B
- SC8 - Fuse 8 on fuse holder C
- T17h - 17-pin connector, orange, coupling station on electronics box, left in plenum chamber
- T46a - 46-pin connector, CAN separating connector left
- 43 - Earth point, lower part of right A-pillar
- 45 - Earth point, centre behind dash panel
- 366 - Earth connection 1, in main wiring harness
- 374 - Earth connection 9, in main wiring harness
- 390 - Earth connection 25, in main wiring harness
- B272 - Positive connection (30), in main wiring harness
- B273 - Positive connection (15), in main wiring harness
- B298 - Positive connection 2 (30), in main wiring harness
- B479 - Connection 15 in main wiring harness
- * - CAN bus (data wire)
- 9-point relay carrier, behind driver storage compartment
- up to model year 2005
- from model year 2006
- up to October 2005
- from November 2005



4F0-023020B08

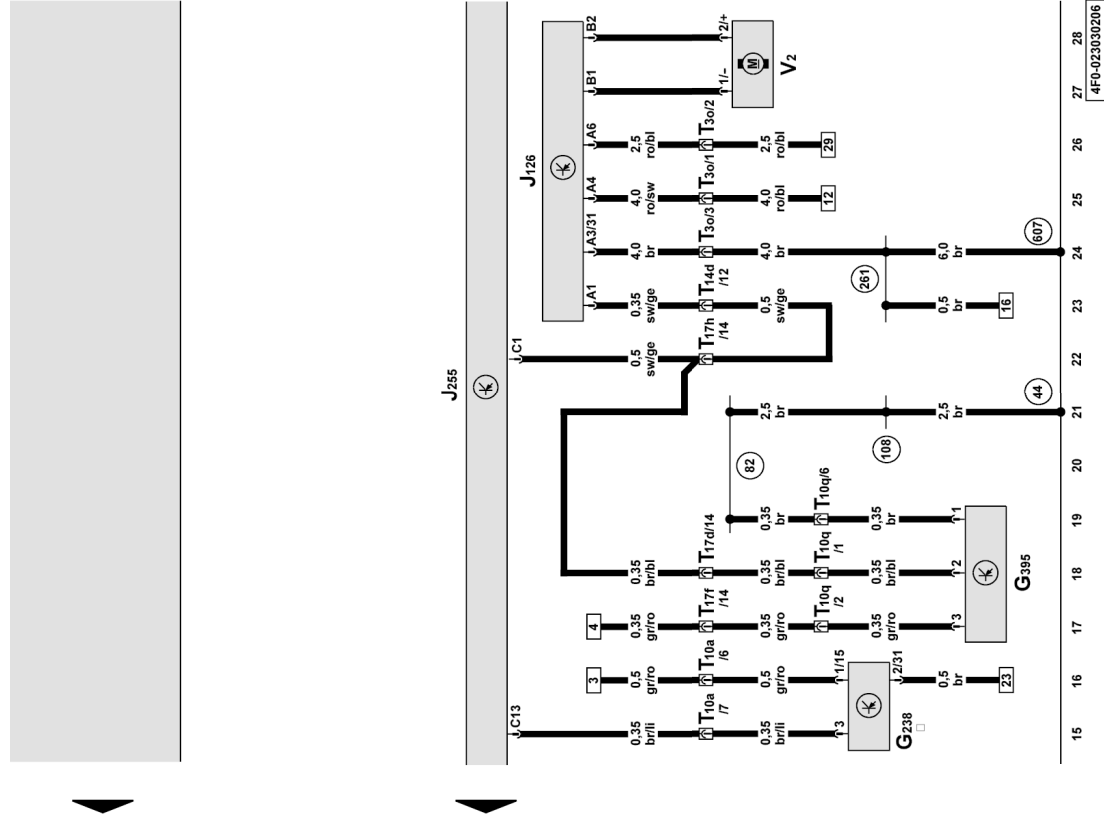
Audi A6

Current Flow Diagram

No. 23 / 3

Climatronic control unit, air quality sensor, refrigerant pressure and temperature sender, fresh air blower control unit, fresh air blower

- G238 - Air quality sensor
- G395 - Refrigerant pressure and temperature sender
- J126 - Fresh air blower control unit
- J255 - Climatronic control unit
- T3o - 3-pin connector, black, on right in plenum chamber
- T10a - 10-pin connector, purple, coupling station on left electronics box
- T10q - 10-pin connector, black, near left headlight
- T14d - 14-pin connector, black, on right in plenum chamber
- T17d - 17-pin connector, black, coupling station on left of A-pillar
- T17f - 17-pin connector, green, coupling station on left of A-pillar
- T17h - 17-pin connector, orange, coupling station on electronics box, left in plenum chamber
- V2 - Fresh air blower
- 44 - Earth point, lower part of left A-pillar
- 82 - Earth connection 1, in front left wiring harness
- 108 - Earth connection 2, in front left wiring harness
- 261 - Earth connection, in heated washer jet wiring harness
- 607 - Earth point, on left in plenum chamber
- * - convenience equipment only



4FD-0223030206

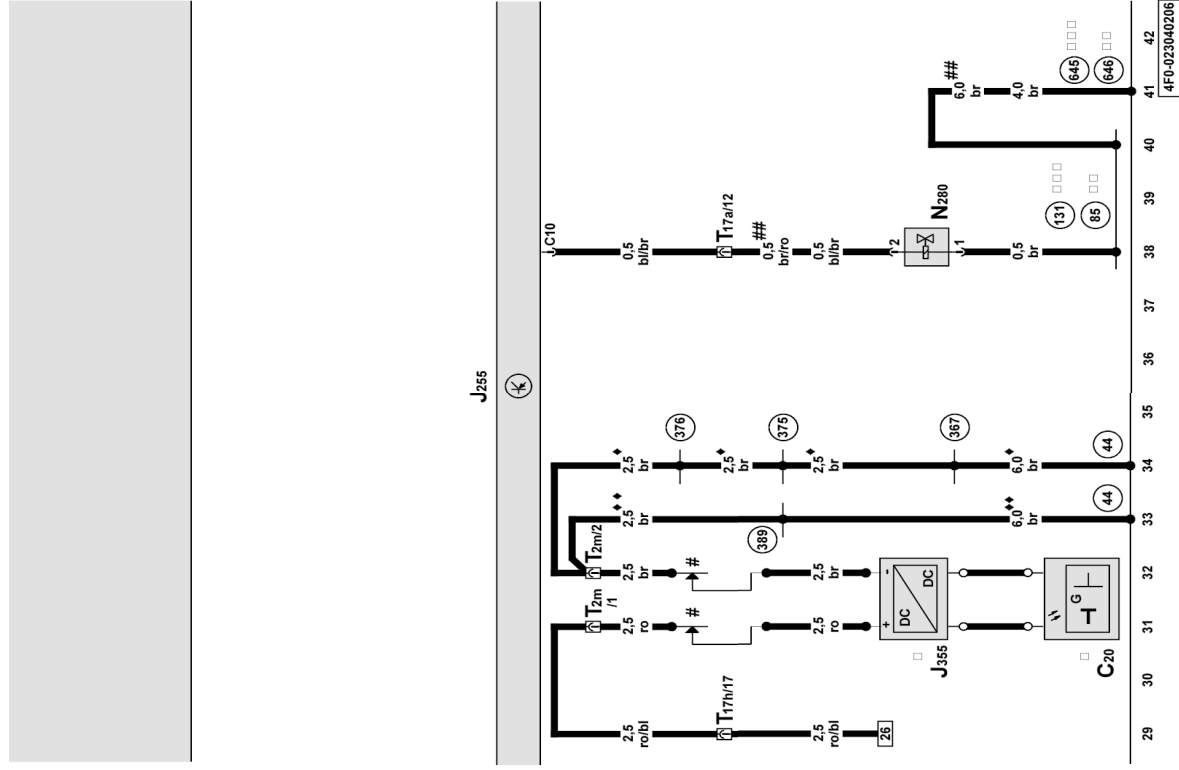
Audi A6

Current Flow Diagram

No. 23 / 4

Climatronic control unit, solar operation control unit, solar cells, air conditioning system compressor regulating valve

- C20 - Solar cells
- J255 - Climatronic control unit
- J355 - Solar operation control unit
- N280 - Air conditioning system compressor regulating valve
- T2m - 2-pin connector, black, on solar roof
- T17a - 17-pin connector, red, coupling station on electronics box, left in plenum chamber
- T17h - 17-pin connector, orange, coupling station on electronics box, left in plenum chamber
- 44 - Earth point, lower part of left A-pillar
- 85 - Earth connection 1, in engine compartment wiring harness
- 131 - Earth connection 2, in engine compartment wiring harness
- 367 - Earth connection 2, in main wiring harness
- 375 - Earth connection 10, in main wiring harness
- 376 - Earth connection 11, in main wiring harness
- 389 - Earth connection 24, in main wiring harness
- 645 - Earth point 1, on bulkhead
- 646 - Earth point 2, on bulkhead
- * - models with solar roof
- ** - diesel engines
- *** - petrol engines
- # - Interconnection contacts on sliding sunroof frame
- ## - 5.2 l engine, engine code BGS
- ◆ - up to October 2005
- ◆◆ - from November 2005



ws = white
 sw = black
 ro = red
 br = brown
 gn = green
 bl = blue
 gr = grey
 li = purple
 ge = yellow
 or = orange
 rs = pink



Audi A6

Current Flow Diagram

No. 23 / 5

Climatronic control unit, centre left and right vent sensor, front left and right seat temperature sender, sunlight penetration photosensor

- G107 - Sunlight penetration photosensor
- G344 - Front left seat temperature sender
- G345 - Front right seat temperature sender
- G347 - Centre left vent sensor
- G348 - Centre right vent sensor
- J255 - Climatronic control unit
- L68 - Dash panel central vent illumination bulb
- T6e - 6-pin connector, green, on left of seat cross member
- T6f - 6-pin connector, green, on right of seat cross member
- T10a - 10-pin connector, purple, coupling station on left electronics box

- T17h - 17-pin connector, orange, coupling station on electronics box, left in plenum chamber

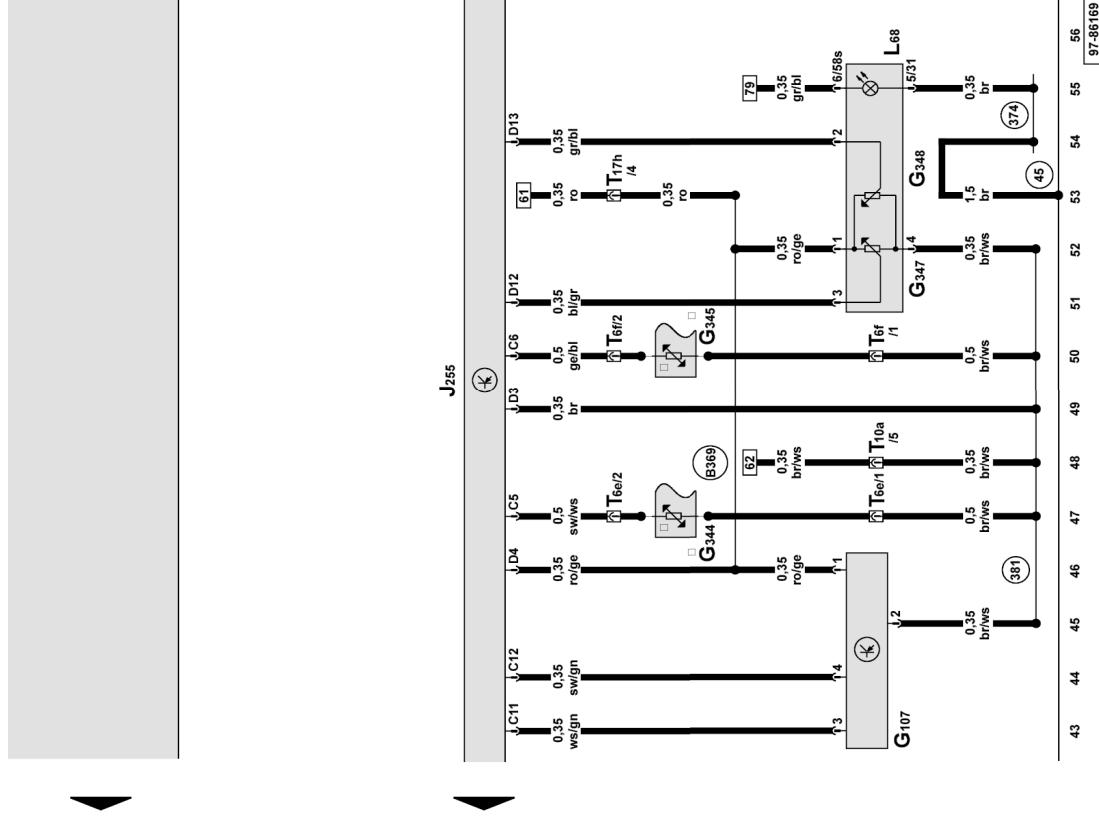
45 - Earth point, centre behind dash panel

374 - Earth connection 9, in main wiring harness

381 - Earth connection 16, in main wiring harness

B369 - Connection 1 (5V), in main wiring harness

* - models with seat heating



ws = white
 sw = black
 ro = red
 br = brown
 gn = green
 bl = blue
 gr = grey
 li = purple
 ge = yellow
 or = orange
 rs = pink

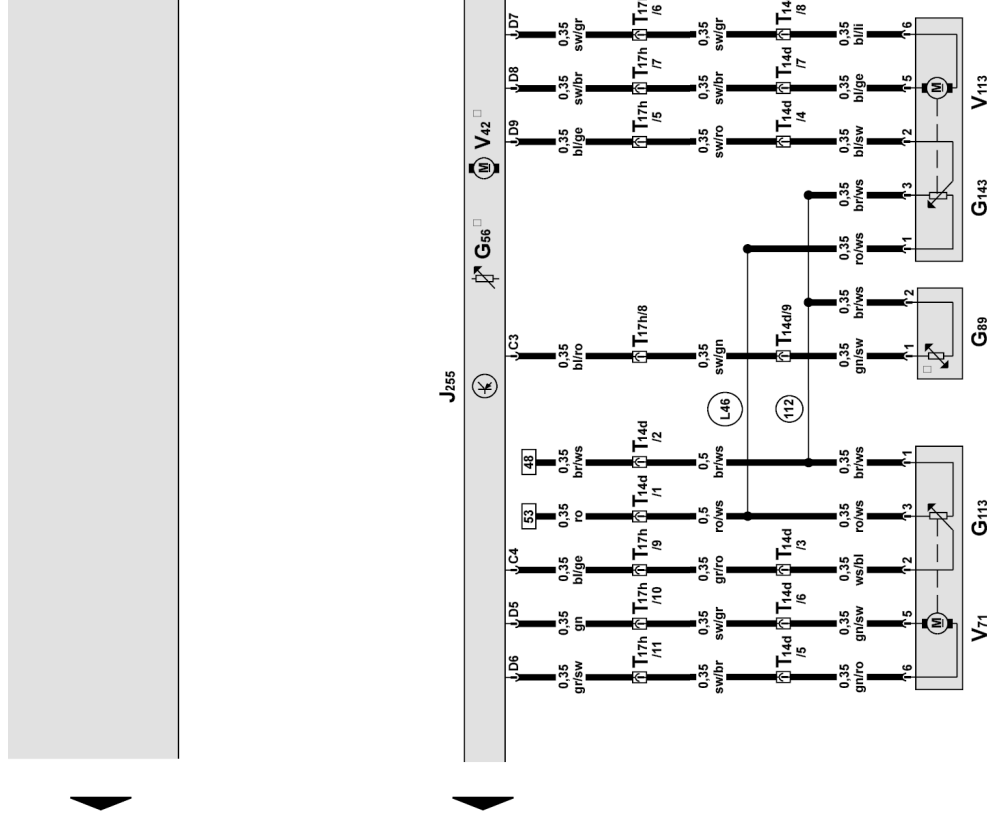
Audi A6

Current Flow Diagram

No. 23 / 6

Climatronic control unit, air flow flap control motor, air recirculation flap control motor, fresh air intake duct temperature sensor

- Dash panel temperature sensor
- Fresh air intake duct temperature sensor
- Air flow flap control motor potentiometer
- Air recirculation flap control motor potentiometer
- Climatronic control unit
- 10-pin connector, purple, coupling station on left electronics box
- 14-pin connector, black, on right in plenum chamber
- 17-pin connector, orange, coupling station on electronics box, left in plenum chamber
- Temperature sensor blower
- Air flow flap control motor
- Air recirculation flap control motor
- Earth connection 2, in air conditioning system wiring harness



ws = white
 sw = black
 ro = red
 br = brown
 gn = green
 bl = blue
 li = grey
 ge = purple
 or = yellow
 rs = orange
 rs = pink

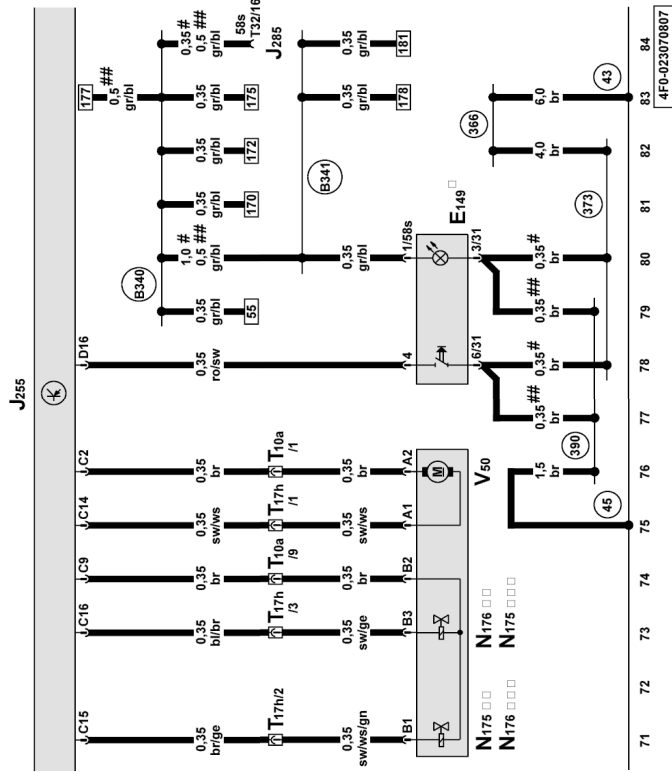
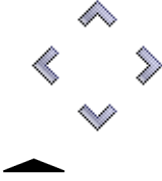
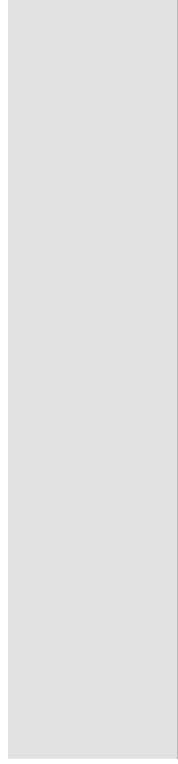
Audi A6

Current Flow Diagram

No. 23 / 7

Climatronic control unit, coolant circulation pump, left and right heat regulation valve, rear roller blind switch

- E149 - Rear roller blind switch
- J255 - Climatronic control unit
- J285 - Control unit in dash panel insert
- N175 - Left heat regulation valve
- N176 - Right heat regulation valve
- T10a - 10-pin connector, purple, coupling station on left electronics box
- T17h - 17-pin connector, orange, coupling station on electronics box, left in plenum chamber
- T32 - 32-pin connector, grey, on dash panel insert
- V50 - Coolant circulation pump
- 43 - Earth point, lower part of right A-pillar
- 45 - Earth point, centre behind dash panel
- 366 - Earth connection 1, in main wiring harness
- 373 - Earth connection 8, in main wiring harness
- 390 - Earth connection 25, in main wiring harness
- B340 - Connection 1 (58s), in main wiring harness
- B341 - Connection 2 (58s), in main wiring harness
- * - models with rear roller blind
- ** - left-hand drive
- *** - right-hand drive
- # - up to October 2005
- ## - from November 2005



ws = white
 sw = black
 ro = red
 br = brown
 gr = green
 gn = green
 bl = blue
 gr = grey
 li = purple
 ge = yellow
 or = orange
 rs = pink

71 72 73 74 75 76 77 78 79 80 81 82 83 84
 4FO-023070807

