
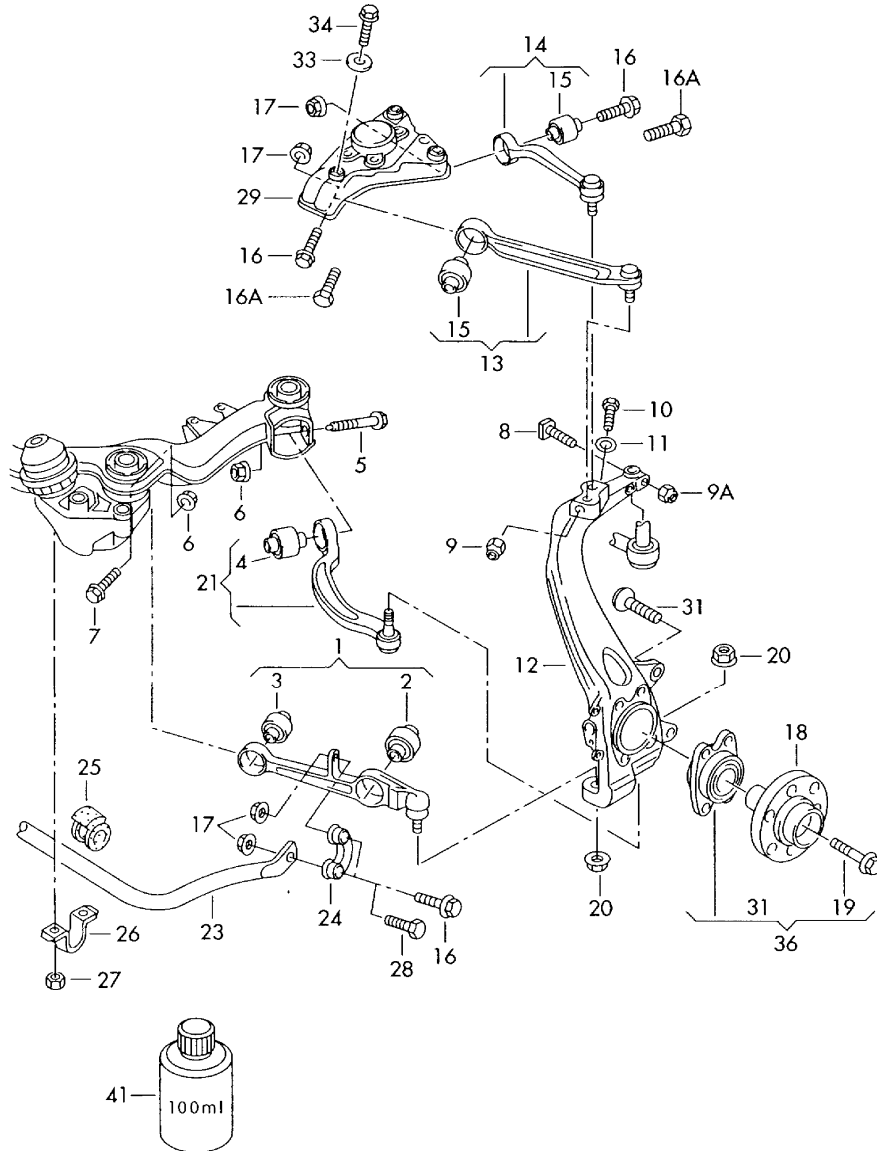



Model	Year	MG	SG	Illustration	Restrictions	UPD	15:06	24.06.201		ETKA
A4Q	2002	4	07	407-05	8E-1-000 001 >> 8E-5-400 000	799				



Pos	Part Number	Name	Remarks	Qty	Model
		control arm wheel bearing housing stabilizer			AVJ, ASN, BBJ, AVF, AKE, AMB, AVK, BAU, BDH
(1)	8E0 407 151 M	control arm		2	
2	8E0 407 181 C	bonded rubber mounting		2	
3	4D0 407 182 G	bonded rubber mounting		2	
4	4D0 407 183 AB	bonded rubber mounting		2	
5	N 906 259 02	bolt, hex. hd. with pin (combi)	M12X1,5X120X80	2	
6	N 101 064 02	shouldered hex. nut, self-locking	M12X1,5	4	
7	N 102 949 01	bolt, hex. hd. (combi.)	M12X1,5X100-	2	
8	4D0 407 192 C	lock screw	M10X50	2	
9	N 102 861 02	shouldered hex. nut, self-locking F >> 8E-2-024 000*	M10	2	
(9)	N 102 723 02	shouldered hex. nut, self-locking F 8E-2-024 001>>*	M10	2	
9A	N 908 923 01	hex. nut, self-locking	M10	2	
10	N 105 768 02	screw, hex. hd.	M10X105X26	2	
11	N 104 061 05	washer	20X10,5X2	2	
12	8E0 407 253 C	wheel bearing housing	left	1	
(12)	8E0 407 254 C	wheel bearing housing	right	1	
13	8E0 407 505 A	upper link	left front upper	1	PR-1BA,1BE, 1BR
(13)	8E0 407 506 A	upper link	right front upper	1	PR-1BA,1BE, 1BR
(13)	8E0 407 505 C	upper link	left front upper	1	PR-1BV
(13)	8E0 407 506 C	upper link	right front upper	1	PR-1BV
14	8E0 407 509 A	upper link	left rear upper	1	PR-1BA,1BE, 1BR
(14)	8E0 407 510 A	upper link	right rear upper	1	PR-1BA,1BE, 1BR

Model	Year	MG	SG	Illustration	Restrictions	UPD	15:06	24.06.201		ETKA
A4Q	2002	4	07	407-05	8E-1-000 001 >> 8E-5-400 000	799				

Pos	Part Number	Name	Remarks	Qty	Model	Pos	Part Number	Name	Remarks	Qty	Model
(14)	8E0 407 509 C	upper link	left rear upper	1	PR-1BV	(36)	8E0 498 625 B	wheel bearing with mounting parts	82MM	2	
(14)	8E0 407 510 C	upper link	right rear upper	1	PR-1BV						
15	4B0 407 515	bonded rubber mounting		4	PR-1BA,1BE,1BR						
(15)	8D0 407 515 B	bonded rubber mounting		4	PR-1BV						
16A	N 104 253 02	bolt, hex. hd. with shoulder	M10X62X45	4							
17	N 102 861 10	shouldered hex. nut, self-locking	M10	4							
18	4B0 407 613 B	wheel hub		2							
(19)	4B0 407 643 A	shouldered bolt	M16X1,5X72	2							
20	N 908 484 01	hex. nut, self-locking with washer	M12X1,5	4							
21	8E0 407 693 Q	wishbone link	left front	1							
(21)	8E0 407 694 Q	wishbone link	right front	1							
23	8E0 411 309 B	stabilizer for sports-type running gear		1	PR-1BE,1BV						
(23)	8E0 411 309 D	stabilizer		1	PR-1BA,1BR						
24	8E0 411 317	connecting link	left white	1							
(24)	8E0 411 318	connecting link	right green	1							
25	4D0 411 327 J	rubber isolator	29MM	2							
26	4D0 411 336 D	clamp		2							
27	N 901 838 02	shouldered hex. nut, self-locking	M8	4							
28	N 906 282 05	bolt, hex. hd. with shoulder and shaft	M10X50	4							
29	8E0 412 391 C	bracket		2							
31	4D0 505 445	ball screw	M12X1,5X45	8							
33	8D0 412 145 B	washer	5X16,2X40	4							
34	N 102 006 01	bolt, hex. hd. with shoulder	M10X30	6							