
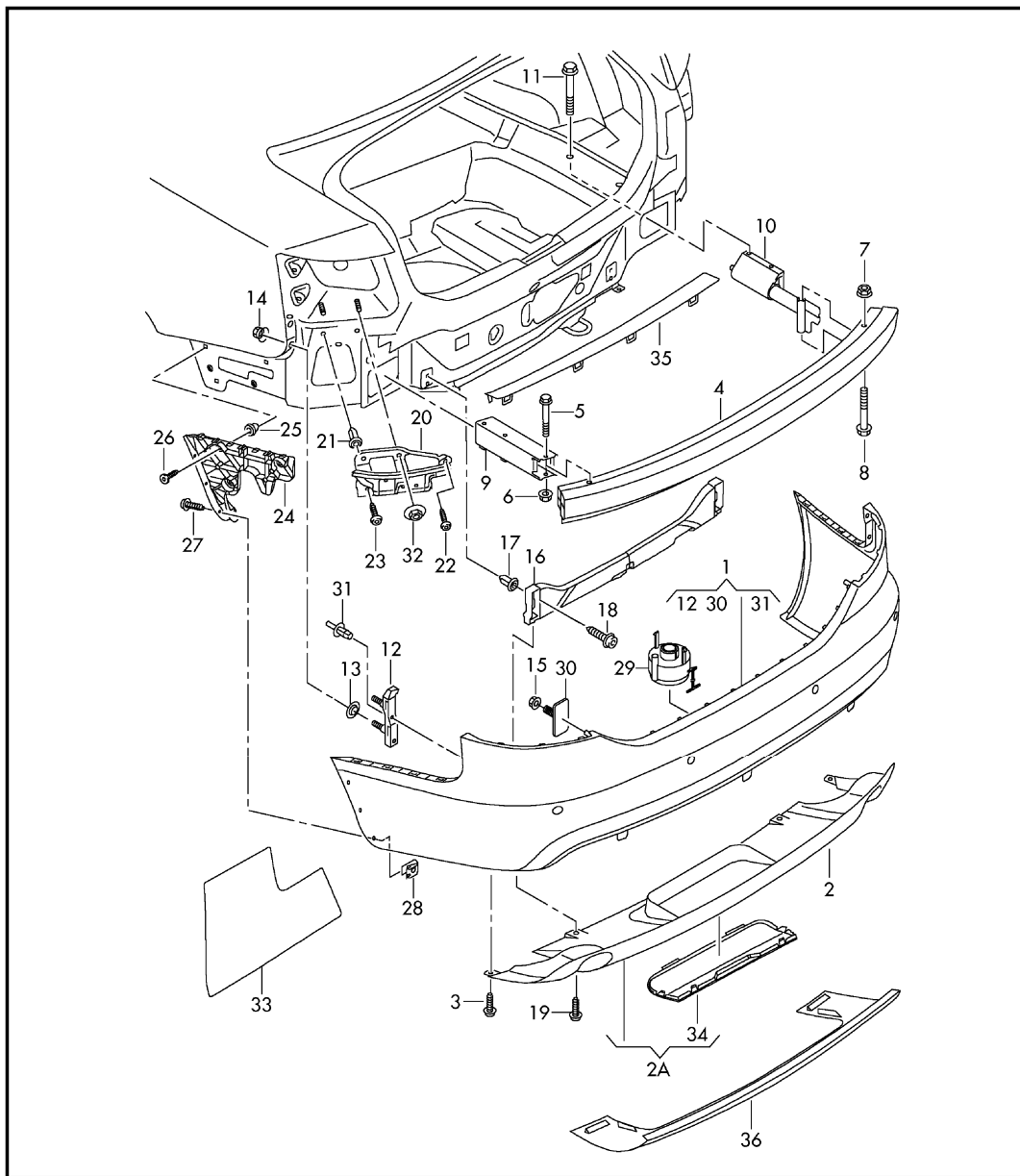




Malli	Vuosi	PR	AR	Kuva	Rajaaminen	UPD	18:47	22.06.2011		ETKA
A6Q	2007	8	07	807-50		862				



Kohta	Osanumero	Nimike	Huomautus	Kpl	Malli
		bumper	rear		sedan
1	4F5 807 303	bumper		1	PR-2K1, 2K3, 2K7
	04/04-02/09GRU	primed			
(1)	4F5 807 303 A	bumper for vehicles with parking aid		1	PR-2K1, 2K3, 2K7
	04/04-02/09GRU	primed			
(1)	4F0 898 301	1 set bumper covers for vehicles with parking aid		1	PR-2K1, 2K3, 2K7
	04/04-02/09Y9B	brilliant black for exterior colour:	-A2	1	
(1)	4F5 807 303 B	bumper		1	PR-2K5, 2K6
	07/04-02/09GRU	primed			
(1)	4F5 807 303 C	bumper for vehicles with parking aid		1	PR-2K5, 2K6
	07/04-02/09GRU	primed			
-	4F0 098 627	1 set: mounting parts for bumper F >> 4F-7-100 000*		1	
2	4F5 807 521 E	spoiler for trailer towing		1	petrol eng.+ PR-2K1
	04/04-02/0901C	satin black			
(2)	4F5 807 521 F	spoiler for trailer towing		1	diesel eng.+ PR-2K1
	04/04-02/0901C	satin black			
(2)	4F5 807 521	spoiler			petrol eng.+ PR-2K1, 2K5
	04/04-02/0901C	satin black			
(2)	4F5 807 521 A	spoiler			diesel eng.+ PR-2K1, 2K5
	04/04-02/0901C	satin black			
(2)	4F5 807 521 C	spoiler		1	petrol eng.+ PR-2K7, 2K8

Malli	Vuosi	PR	AR	Kuva	Rajaaminen	UPD	18:47	22.06.2011		ETKA
A6Q	2007	8	07	807-50		862				

Kohta	Osanumero	Nimike	Huomautus	Kpl	Malli	Kohta	Osanumero	Nimike	Huomautus	Kpl	Malli
	07/04-02/09GRU	primed				9	4F5 807 331	holder for bumper bracket	left a. right	2	PR-2K1,2K7
(2)	4F5 807 521 D	spoiler		1	diesel eng.+ PR-2K7	(10)	4F0 807 275	shock absorber	left	1	PR-2K5
	07/04-02/09GRU	primed				10	4F0 807 276	shock absorber	right	1	PR-2K5
(2)	4F5 807 521 J	spoiler		1	PR-2K3,2K6	11	N 907 721 01	hexagon head bolt (combi) F >> 4F-7-046 132	M10X105X45	4	
(2)	04/06-07/061RR	platinum grey		1	PR-2K3,2K6+ 5J2	(11)	N 907 721 02	hexagon head bolt (combi) F 4F-7-046 133>>	M10X105X45	4	
(2)	4F5 807 521 J	spoiler		1	PR-2K3,2K6+ 5J2	12	4F5 898 193	fasteners	left	1	
	08/06-02/091RR	platinum grey				(12)	4F5 898 194	fasteners	right	1	
(2)	4F5 807 521 AE	spoiler		1	PR-2K3,2K4+ 1D0+5J1	13	4B0 807 467 B	grommet		4	
2A	4F5 807 521 P	spoiler for trailer towing		1	petrol eng.+ PR-2K7	14	WHT 001 002	hex. nut with washer	M6	4	
	07/04-02/09GRU	primed				15	N 904 880 05	hex. nut with washer	M6	2	
(2A)	4F5 807 521 Q	spoiler for trailer towing		1	diesel eng.+ PR-2K7	16	4F9 807 329	holding strap		1	
	07/04-02/09GRU	primed				17	N 106 213 01	expanding nut	5X13,2	2	
(2A)	4F5 807 434	spoiler for trailer towing		1	PR-2K3	18	N 907 750 01	hexagon socket head panel bolt	4,8X16	2	
	04/06-02/091RR	platinum grey				19	N 907 758 01	hexagon socket head panel bolt	4,8X19	3	
3	N 907 758 01	hexagon socket head panel bolt	4,8X19	X		20	4F5 807 879	adjustment part F >> 4F-8-075 000	left	1	
(4)	4F0 807 313 D	bumper carrier		1	PR-2K1,2K7	(20)	4F5 807 897 A	adjustment part F 4F-8-075 001>>	left	1	
(4)	4F0 807 313 B	bumper carrier		1	PR-2K5	(20)	4F5 807 880	adjustment part F >> 4F-8-075 000	right	1	
(4)		see diagram, item:	804,50,1		PR-1D4	(20)	4F5 807 898 A	adjustment part F 4F-8-075 001>>	right	1	
5	N 106 170 01	hexagon head bolt (combi) F >> 4F-5-095 000	M8X80 left a. right	2	PR-2K1,2K7	21	N 106 213 01	expanding nut	5X13,2	6	
(5)	N 105 814 02	hexagon head bolt (combi) F 4F-5-095 001>>	M8X75 left a. right	2	PR-2K1,2K7	22	N 907 750 01	hexagon socket head panel bolt	4,8X16	6	
6	N 908 866 02	hexagon nut, shouldered	M8 left a. right	2	PR-2K1,2K7	23	N 104 128 04	hexagon socket head panel bolt	5X16	6	
7	N 906 100 03	hex. nut, self-locking with washer	M10 left a. right	2	PR-2K5	24	4F5 807 453	guide section	left	1	
8	N 106 168 01	hexagon head bolt (combi)	M10X130 left a. right	2	PR-2K5	(24)	4F5 807 454	guide section	right	1	
						25	8D0 807 300 A	expanding nut	10,3MM	6	
						26	N 907 676 02	hexagon socket head panel bolt	6X12	6	

Malli	Vuosi	PR	AR	Kuva	Rajaaminen	UPD	18:47	22.06.2011		ETKA
A6Q	2007	8	07	807-50		862				

Kohta	Osanumero	Nimike	Huomautus	Kpl	Malli	Kohta	Osanumero	Nimike	Huomautus	Kpl	Malli
27	N 907 758 01	hexagon socket head panel bolt	4,8X19	6							
28	N 903 562 03	speed nut	M5X16,6X17	6							
29	4F0 807 381	support element		1							
29		not replacement part for this model									
30	4F0 807 739	securing plate	left a. right	2							
31	N 903 463 02	pop rivet	4X18,8	X							
32	N 904 348 02	speed nut	4	4							
33	4F0 807 905	protective foil	left rear	1	PR-1SH						
(33)	4F0 807 906	protective foil	right rear	1	PR-1SH						
34		cover no replacement part			PR-2K1						
(34)		cover F >> 4F-5-103 398 discont. / replacement item:	2A		PR-1D4+2K7						
(34)	4F5 807 397 A	cover for models with towing facility		1	PR-1D4+2K7						
	03/05-02/09GRU	primed									
(34)	4F5 807 397 A	cover for models with towing facility		1	PR-1D4+2K3						
	04/06-02/091RR	platinum grey									
35		not replacement part for this model									