

Removing and installing headlight washer jets

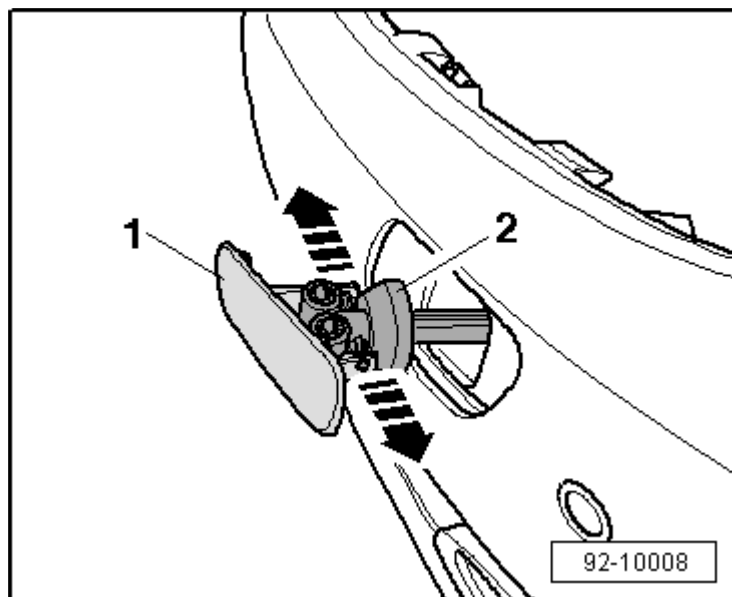
Removing

- Remove front bumper cover → [Rep. Gr.63](#).

i Note

To protect the bumper cover, place a cloth under pliers before taking hold of the washer jet.

- Pull cover -1- of washer jet -2- upwards away from bumper cover and carefully disengage retainers in direction of -arrow-.



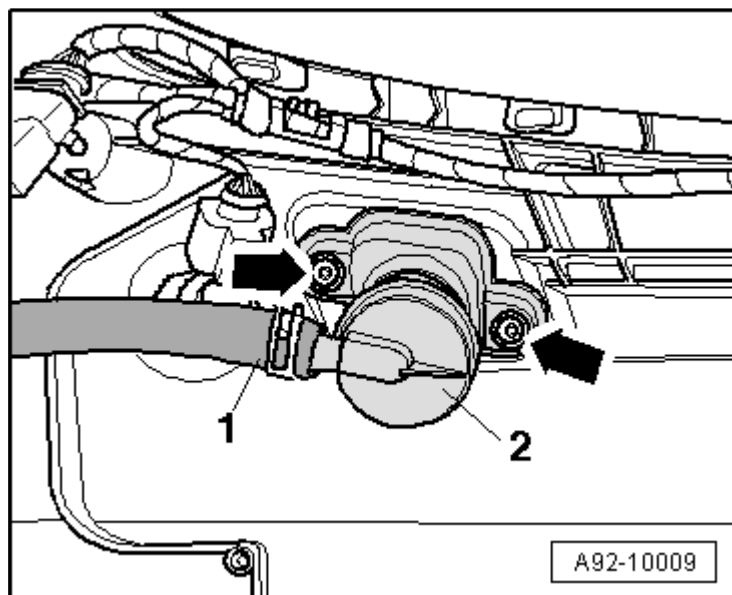
- Detach fluid hose -1- at spray jet -2-.
- Unscrew bolts -arrows- and detach washer jet.

Installing

Installation is carried out in the reverse order; note the following:

- Install front bumper cover → [Rep. Gr.63](#).

Tightening torque



Component	Nm
Washer jet to bumper cover	3