

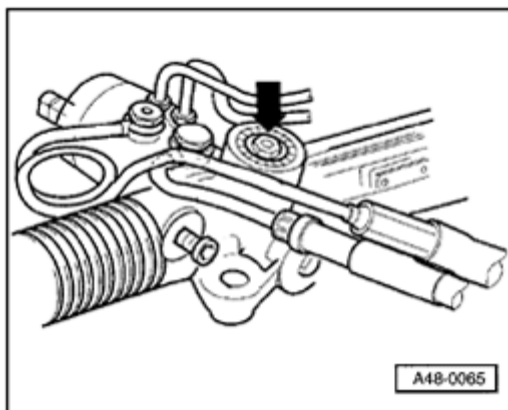
## Steering gear, adjusting

### **Note:**

*Two technicians are required for the adjustment.*

- Engine switched off
- Raise vehicle on hoist.
- Bring wheels to straight-ahead position.
- Turn steering wheel left and right (approx. 30° from center axis).

Knocking noise will be heard if there is excessive play



A

- (Second technician) carefully turn adjustment screw (arrow) until knocking noise can no longer be heard from inside vehicle.
- Carry out road test.
- Steering must self-center when maneuvering or negotiating corners, without sticking; re-adjust if necessary.