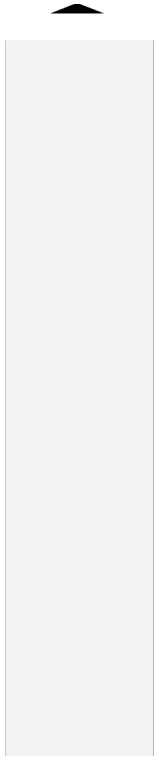


# Audi A4

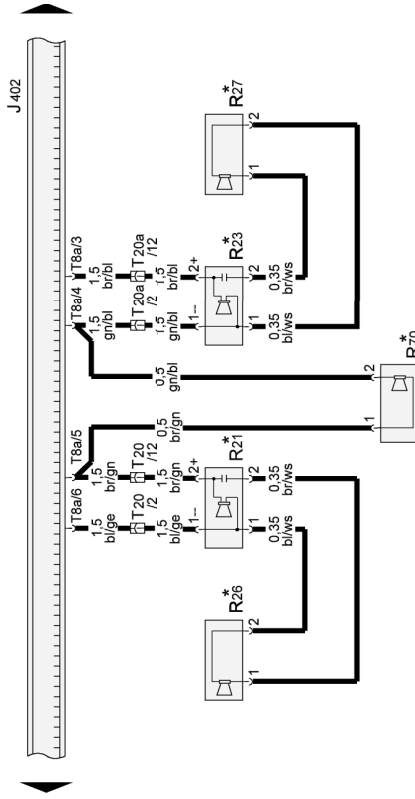
## Current Flow Diagram

# No. 53 / 4



### Active loudspeakers, front

- J402 - Operating electronics control unit, navigation
- R21 - Bass loudspeaker, front left
- R23 - Bass loudspeaker, front right
- R26 - Mid-range/treble loudspeaker, front left
- R27 - Mid-range/treble loudspeaker, front right
- R70 - Internal loudspeaker (centre loudspeaker)
- T8a - 8-pin connector, brown, radio connector II
- T20 - 20-pin connector, black, door, A pillar, left
- T20a - 20-pin connector, black, door, A pillar, right
- \* - Only applies to models with active loudspeakers



- ws = white
- sw = black
- ro = red
- br = brown
- gn = green
- bl = blue
- gr = grey
- li = purple
- ge = yellow
- or = orange
- rs = pink

29	30	31	32	33	34	35	36	37	38	39	40	41	42
													97-56550

# Audi A4

## Current Flow Diagram

# No. 53 / 5