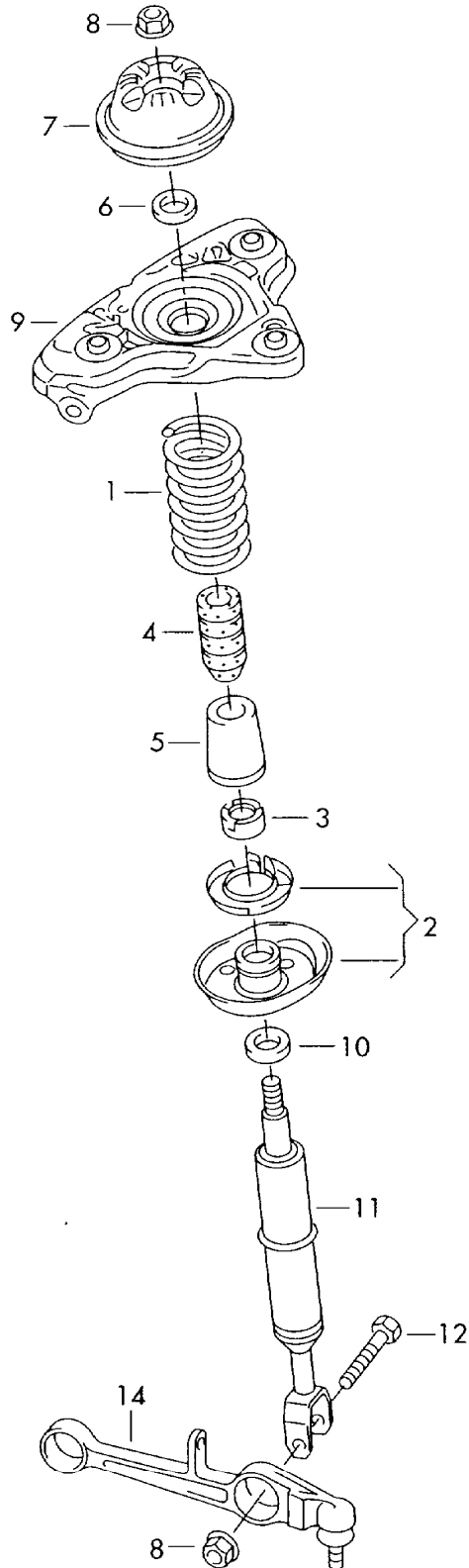




ETKA

Model	Year	MG	SG	Illustration	Restrictions	UPD	20:31	20.01.2010
A4Q	2003	4	11	411-05	8E-1-000 001 >>_8E-5-	761		





ETKA

Model	Year	MG	SG	Illustration	Restrictions	UPD	20:31	20.01.2010
A4Q	2003	4	11	411-05	8E-1-000 001 >>_8E-5-	761		

Pos	Part Number	Description	Remark	Qty	Model
		suspension shock absorber			4-,6-cyl.
1	8E0 411 105 BA	coil spring 1 paint mark 1 paint mark 1 paint mark	yellow blue pink	2	PR-1BA+0JC; PR-1BR+0JC
(1)	8E0 411 105 BB	coil spring 1 paint mark 1 paint mark 2 paint marks	yellow blue pink	2	PR-1BA+0JD; PR-1BR+0JD
(1)	8E0 411 105 BC	coil spring 1 paint mark 1 paint mark 1 paint mark	yellow green pink	2	PR-1BA+0JE; PR-1BR+0JE
(1)	8E0 411 105 BD	coil spring 1 paint mark 1 paint mark 2 paint marks	yellow green pink	2	PR-1BA+0JF; PR-1BR+0JF
(1)	8E0 411 105 BE	coil spring 1 paint mark 1 paint mark 1 paint mark	yellow white pink	2	PR-1BA+0JG; PR-1BR+0JG
(1)	8E0 411 105 BF	coil spring 1 paint mark 1 paint mark 2 paint marks	yellow white pink	2	PR-1BA+0JH; PR-1BR+0JH
(1)	8E0 411 105 BG	coil spring 1 paint mark 1 paint mark 1 paint mark	blue orange pink	2	PR-1BA+0JJ; PR-1BR+0JJ
(1)	8E0 411 105 BH	coil spring 1 paint mark 1 paint mark 2 paint marks	blue orange pink	2	PR-1BA+0JK; PR-1BR+0JK
(1)	8E0 411 105 BJ	coil spring 1 paint mark 1 paint mark 1 paint mark	blue green pink	2	PR-1BA+0JL; PR-1BR+0JL
(1)	8E0 411 105 BK	coil spring 1 paint mark 1 paint mark 2 paint marks	blue green pink	2	PR-1BA+0JM; PR-1BR+0JM
(1)	8E0 411 105 BL	coil spring 1 paint mark 1 paint mark 1 paint mark	blue white pink	2	PR-1BA+0JN; PR-1BR+0JN



ETKA

Model	Year	MG	SG	Illustration	Restrictions	UPD	20:31	20.01.2010
A4Q	2003	4	11	411-05	8E-1-000 001 >>_8E-5-	761		

Pos	Part Number	Description	Remark	Qty	Model
(1)	8E0 411 105 BM	coil spring 1 paint mark 1 paint mark 2 paint marks	blue white pink	2	PR-1BA+0JP; PR-1BR+0JP
(1)	8E0 411 105 BN	coil spring 1 paint mark 1 paint mark 1 paint mark	green orange pink	2	PR-1BA+0JQ; PR-1BR+0JQ
(1)	8E0 411 105 CA	coil spring 1 paint mark 1 paint mark 1 paint mark	yellow white green	2	PR-1BE+0JB; PR-1BV+0JB
(1)	8E0 411 105 CB	coil spring 1 paint mark 1 paint mark 2 paint marks	yellow white green	2	PR-1BE+0JC; PR-1BV+0JC
(1)	8E0 411 105 CC	coil spring 1 paint mark 1 paint mark 1 paint mark	blue orange green	2	PR-1BE+0JD; PR-1BV+0JD
(1)	8E0 411 105 CD	coil spring 1 paint mark 1 paint mark 2 paint marks	blue orange green	2	PR-1BE+0JE; PR-1BV+0JE
(1)	8E0 411 105 CE	coil spring 1 paint mark 2 paint marks	blue green	2	PR-1BE+0JF; PR-1BV+0JF
(1)	8E0 411 105 CF	coil spring 1 paint mark 3 paint marks	blue green	2	PR-1BE+0JG; PR-1BV+0JG
(1)	8E0 411 105 CG	coil spring 1 paint mark 1 paint mark 1 paint mark	blue white green	2	PR-1BE+0JH; PR-1BV+0JH
(1)	8E0 411 105 CH	coil spring 1 paint mark 1 paint mark 2 paint marks	blue white green	2	PR-1BE+0JJ; PR-1BV+0JJ
(1)	8E0 411 105 CJ	coil spring 2 paint marks 1 paint mark	green violet	2	PR-1BE+0JK; PR-1BV+0JK
(1)	8E0 411 105 CK	coil spring 3 paint marks 1 paint mark	green violet	2	PR-1BE+0JL; PR-1BV+0JL
(1)	8E0 411 105 CL	coil spring 1 paint mark 1 paint mark 1 paint mark	yellow blue orange	2	PR-1BE+0JM; PR-1BV+0JM



ETKA

Model	Year	MG	SG	Illustration	Restrictions	UPD	20:31	20.01.2010
A4Q	2003	4	11	411-05	8E-1-000 001 >>_8E-5-	761		

Pos	Part Number	Description	Remark	Qty	Model
2	8E0 412 066 B	spring disc	lower	2	
3	4D0 412 127	protective cap		2	
4	8D0 412 131 F	helper spring		2	PR-1BE,1BR,1BV
(4)	8D0 412 131 H	helper spring		2	PR-1BA
5	4D0 412 137 C	boot		2	
6	4D0 412 369 A	washer	4X12,1X20	2	
7	8E0 412 377	bearing	upper	2	
8	N 101 064 02	shouldered hex. nut, self-locking	M12X1,5	4	
9		bearing bracket see illustration:	407-05		
(11)	b 8E0 413 031 CC	gas-filled shock absorber		2	PR-1BA+0JC, 0JD,0JE,0JF, 0JG,0JH,0JJ
(11)	b 8E0 413 031 CC	gas-filled shock absorber		2	PR-1BA+0JK, 0JL,0JM,0JN, 0JP,0JQ
(11)	b 8E0 413 031 CK	gas-filled shock absorber		2	PR-1BE+0JB, 0JC,0JD,0JE, 0JF,0JG
(11)	b 8E0 413 031 CL	gas-filled shock absorber		2	PR-1BE+0JH, 0JJ,0JK,0JL, 0JM
(11)	b 8E0 413 031 CN	gas-filled shock absorber		2	PR-1BV
(11)	b 8E0 413 031 CP	gas-filled shock absorber		2	PR-1BD
(11)	b 8E0 413 031 CG	gas-filled shock absorber		2	PR-1BR+0JC, 0JD,0JE,0JF, 0JG,0JH,0JJ
(11)	b 8E0 413 031 AS	gas-filled shock absorber F >> 8E-2-030 000*		2	PR-1BR+0JK, 0JL,0JM,0JN, 0JP,0JQ
(11)	b 8E0 413 031 BK	gas-filled shock absorber F 8E-2-030 001>> 8E-2-400 000*		2	PR-1BR+0JK, 0JL,0JM,0JN, 0JP,0JQ
(11)	b 8E0 413 031 CG	gas-filled shock absorber F 8E-3-000 001>>*		2	PR-1BR+0JK, 0JL,0JM,0JN, 0JP,0JQ



ETKA

Model	Year	MG	SG	Illustration	Restrictions	UPD	20:31	20.01.2010
A4Q	2003	4	11	411-05	8E-1-000 001 >>_8E-5-	761		

Pos	Part Number	Description	Remark	Qty	Model
(12)	N 105 729 01	hexagonal head bolt	M12X1,50X75	2	
14		front wishbone link see illustration:	407-05		